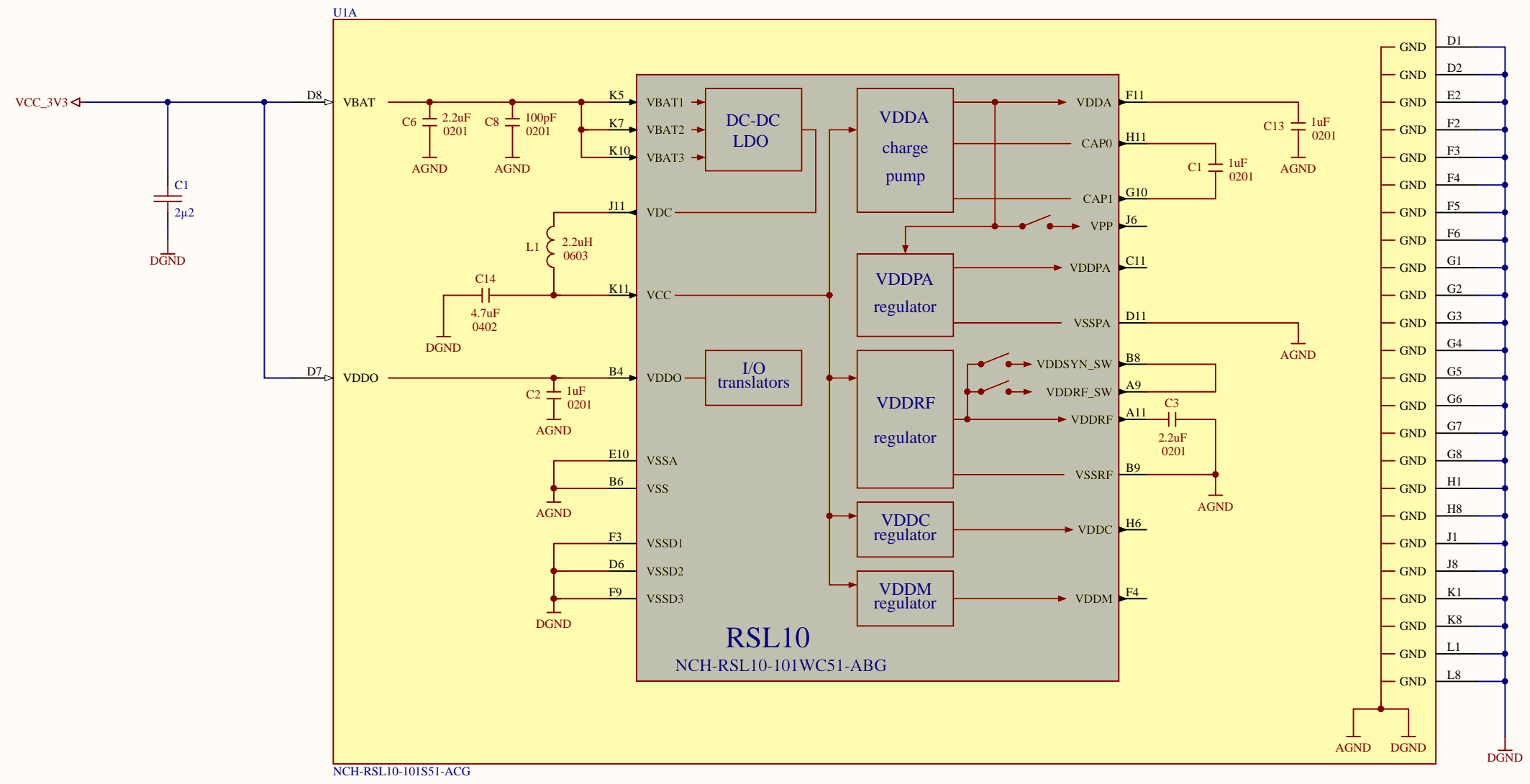


SECO-RSL10-CAM-GEVB		Assembly variant:	State:
Block diagram		rechargeable	released
Revision: rev0.1	Repository revision: Not in version control		ON Semiconductor Solution Engineering Center Piešťany
Engineer: T. Duris	17. April 2020 20:18		
File: ULP_BLE_Camera_block_diagram.SchDoc	1/11		

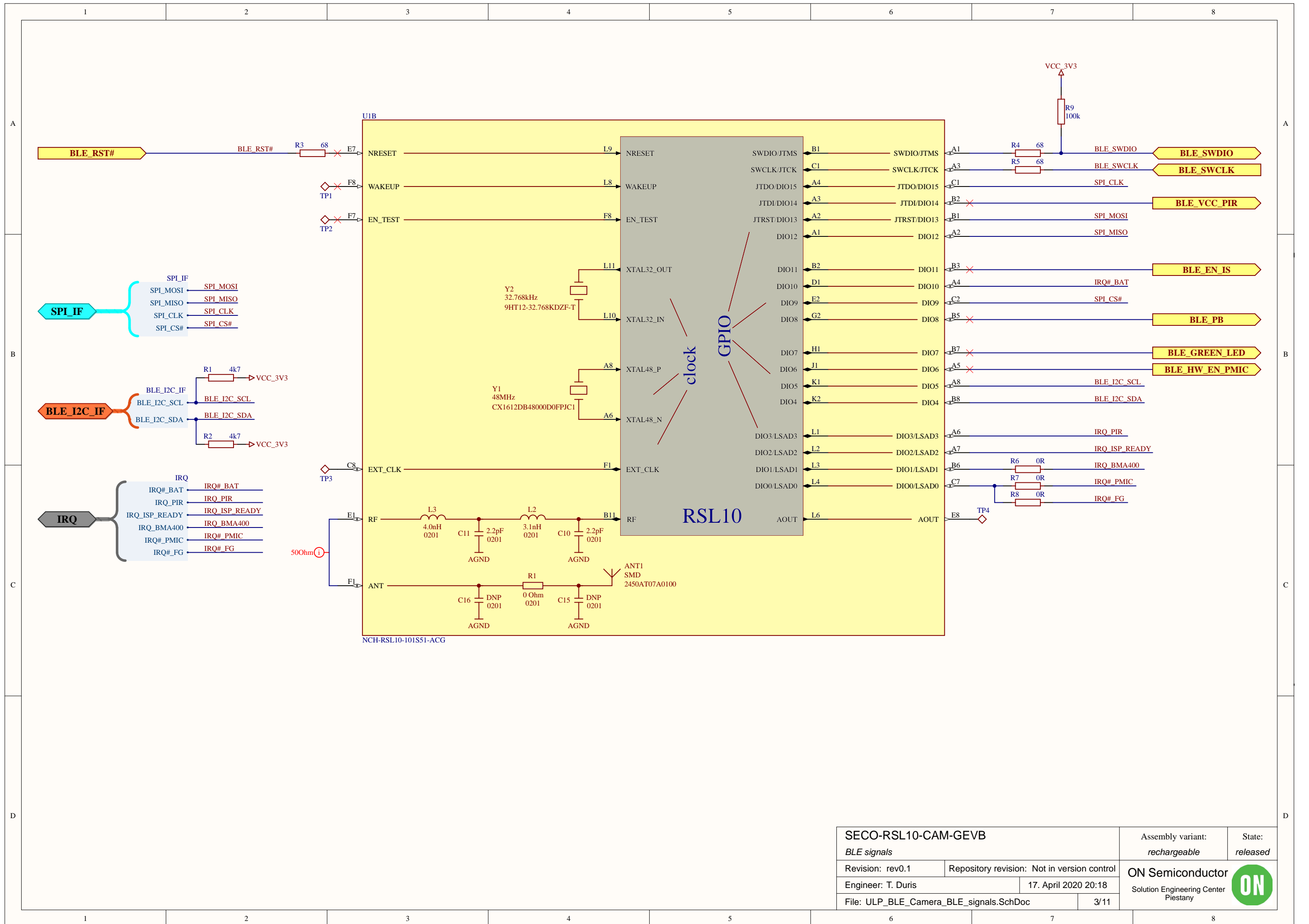




NCH-RSL10-101S51-ACG

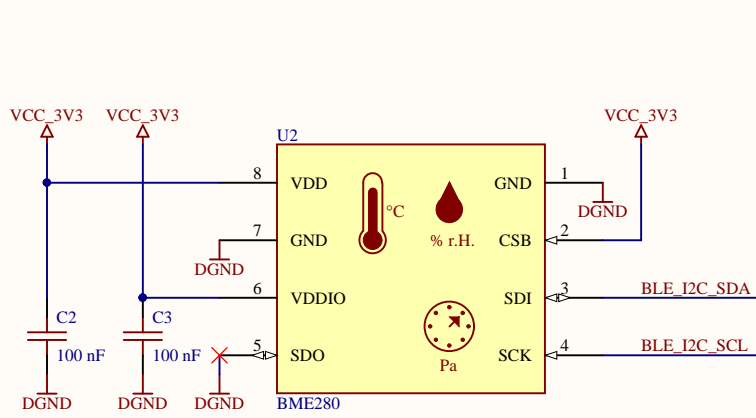
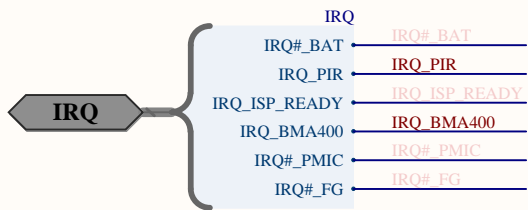
SECO-RSL10-CAM-GEVB		Assembly variant:	State:
BLE power		rechargeable	released
Revision: rev0.1	Repository revision: Not in version control		ON Semiconductor Solution Engineering Center Piešťany
Engineer: T. Duris	17. April 2020 20:18		
File: ULP_BLE_Camera_BLE_power.SchDoc	2/11		



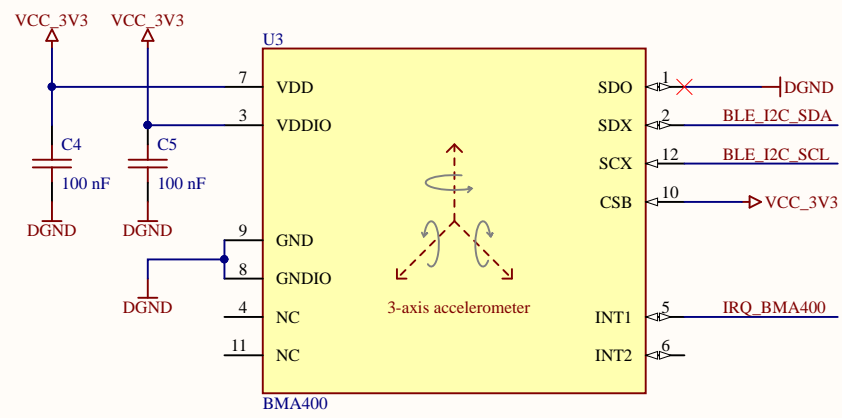


SECO-RSL10-CAM-GEVB		Assembly variant:	State:
<i>BLE signals</i>		<i>rechargeable</i>	<i>released</i>
Revision: rev0.1	Repository revision: Not in version control		ON Semiconductor Solution Engineering Center Piešťany
Engineer: T. Duris	17. April 2020 20:18		
File: ULP_BLE_Camera_BLE_signals.SchDoc	3/11		

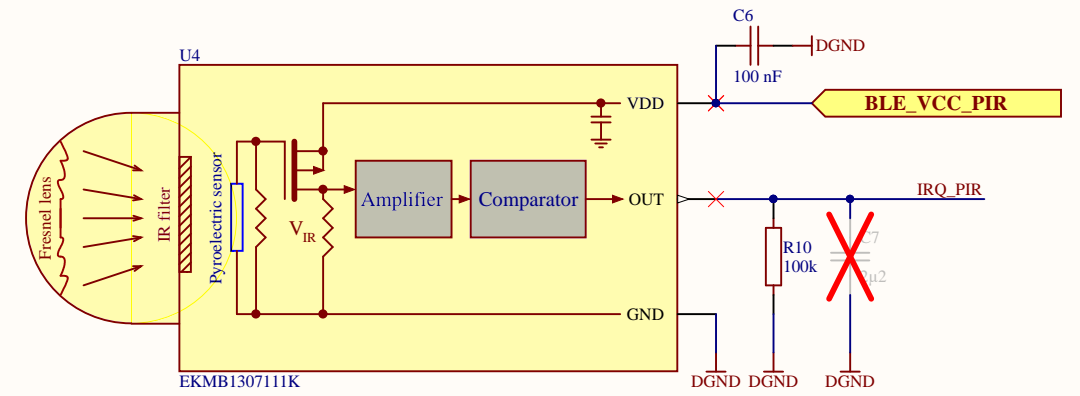




I2C slave address (7-bit): 0x76

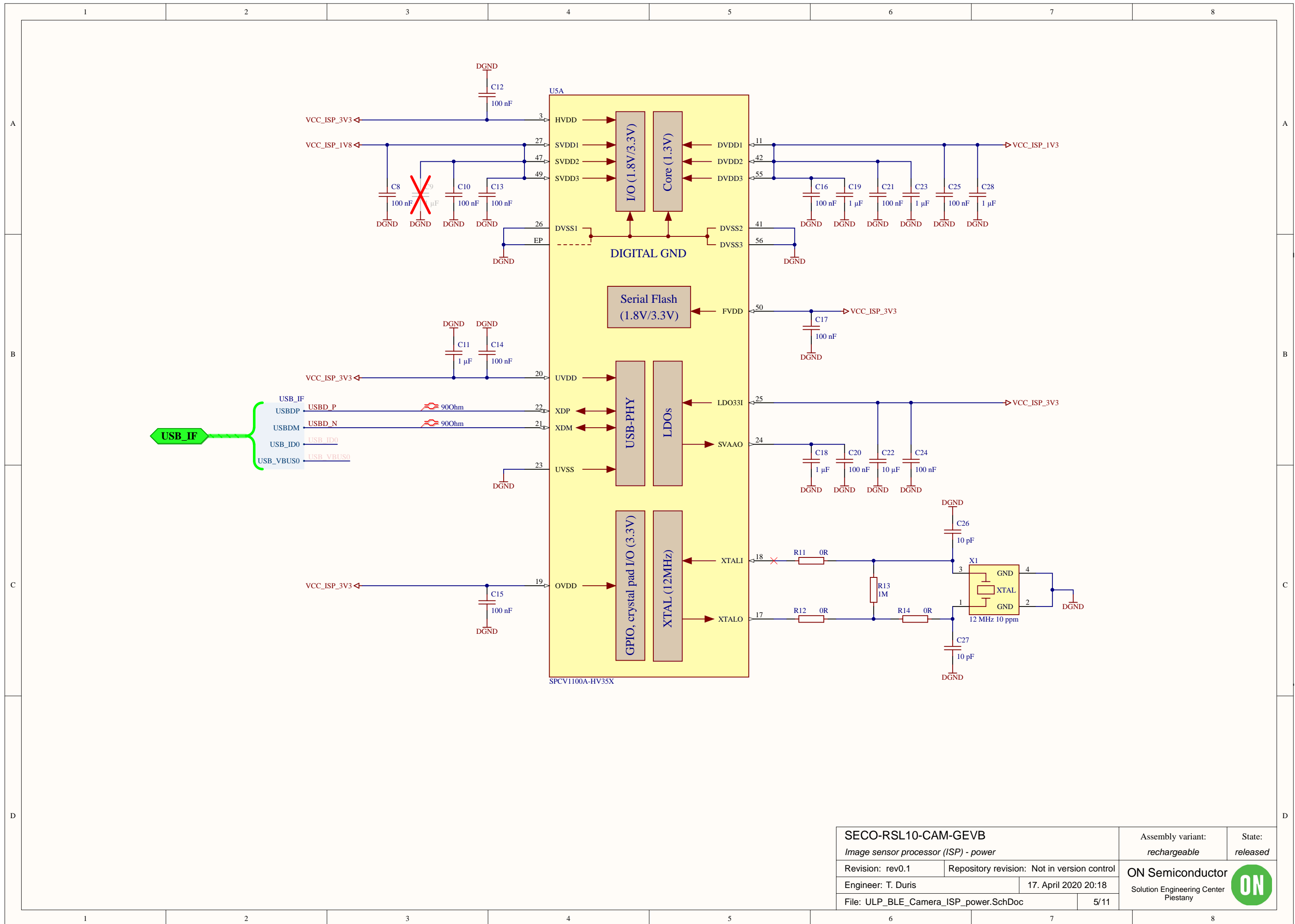


I2C slave address (7-bit): 0x14



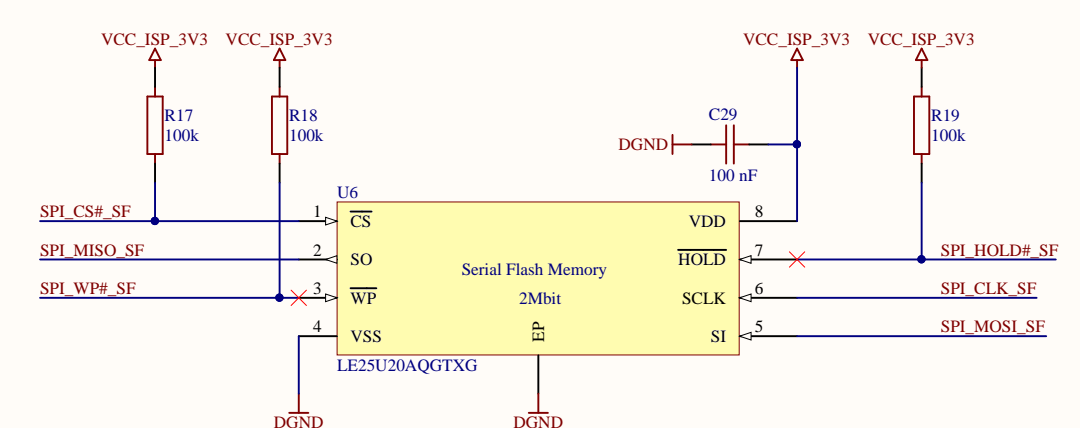
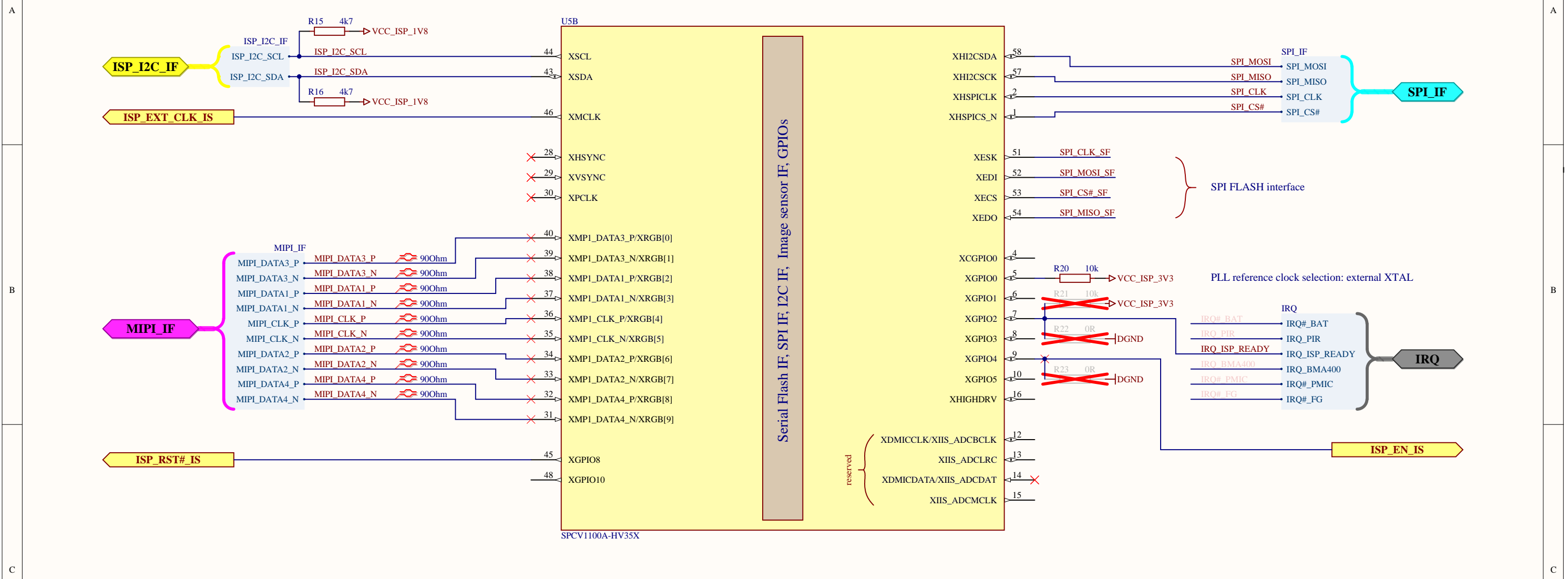
SECO-RSL10-CAM-GEVB		Assembly variant:	State:
Sensors & actuators		rechargeable	released
Revision: rev0.1	Repository revision: Not in version control		ON Semiconductor Solution Engineering Center Piestany
Engineer: T. Duris	17. April 2020 20:18		
File: ULP_BLE_Camera_sensors_actuators.SchDoc	4/11		





SECO-RSL10-CAM-GEVB		Assembly variant:	State:
<i>Image sensor processor (ISP) - power</i>		<i>rechargeable</i>	<i>released</i>
Revision: rev0.1	Repository revision: Not in version control	ON Semiconductor Solution Engineering Center Piešťany	
Engineer: T. Duris	17. April 2020 20:18		
File: ULP_BLE_Camera_ISP_power.SchDoc	5/11		





SECO-RSL10-CAM-GEVB		Assembly variant:	State:
<i>Image sensor processor (ISP) - signals</i>		<i>rechargeable</i>	<i>released</i>
Revision: rev0.1	Repository revision: Not in version control	ON Semiconductor Solution Engineering Center Piešťany	
Engineer: T. Duris	17. April 2020 20:18		
File: ULP_BLE_Camera_ISP_signals.SchDoc	6/11		

IS related

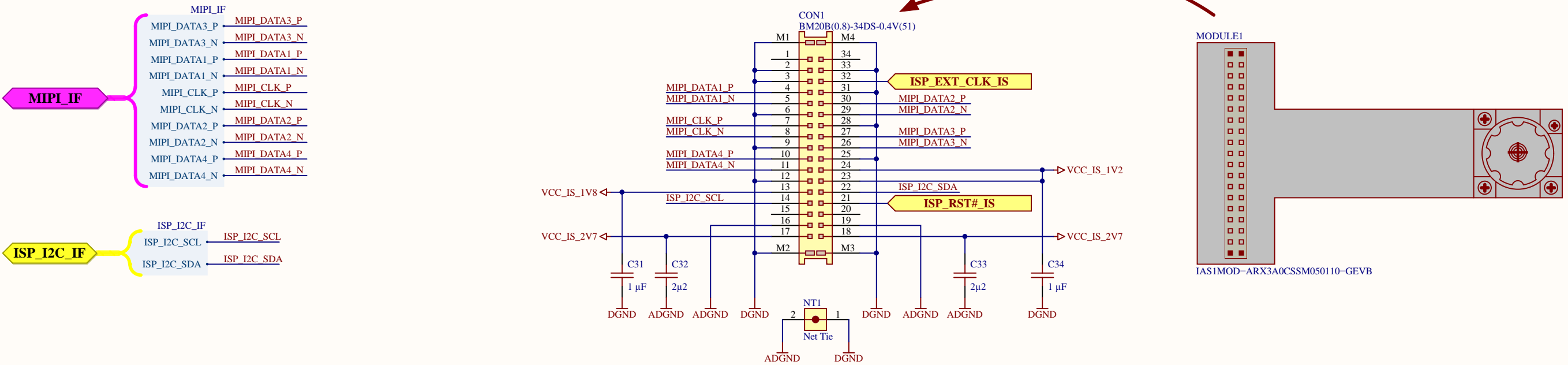
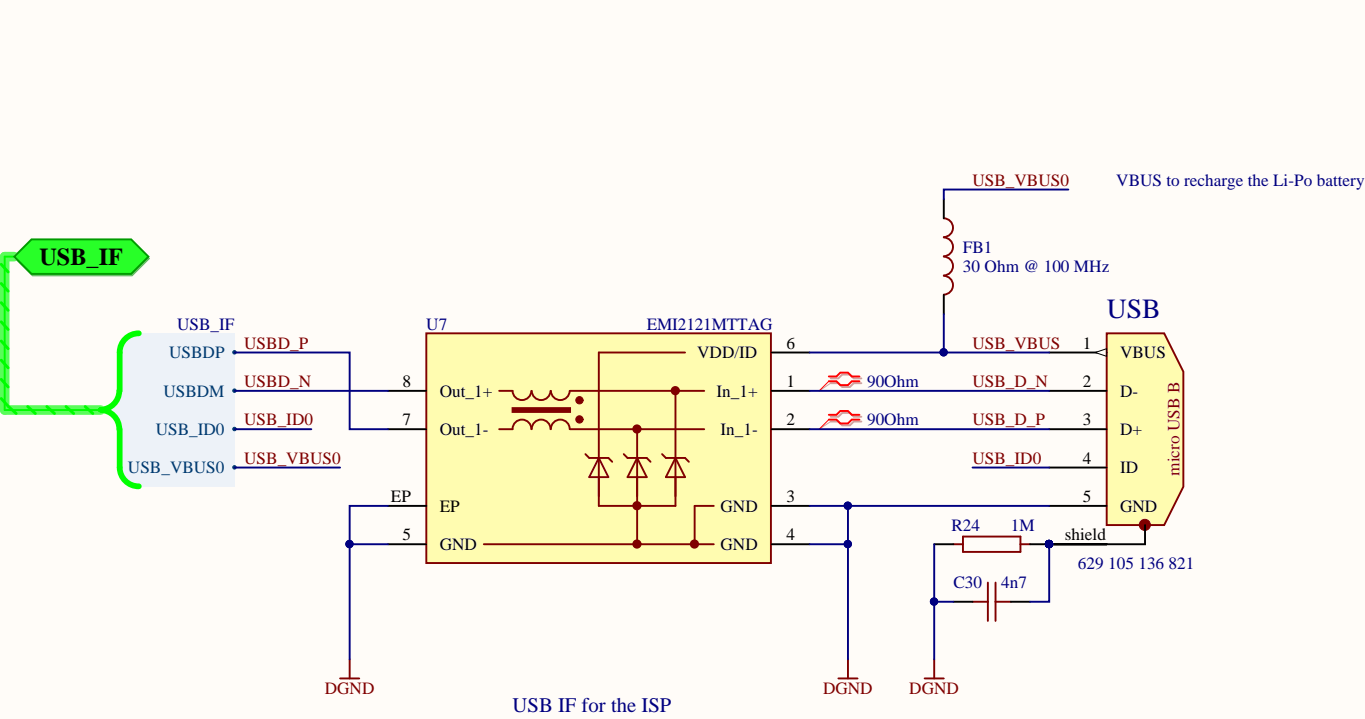


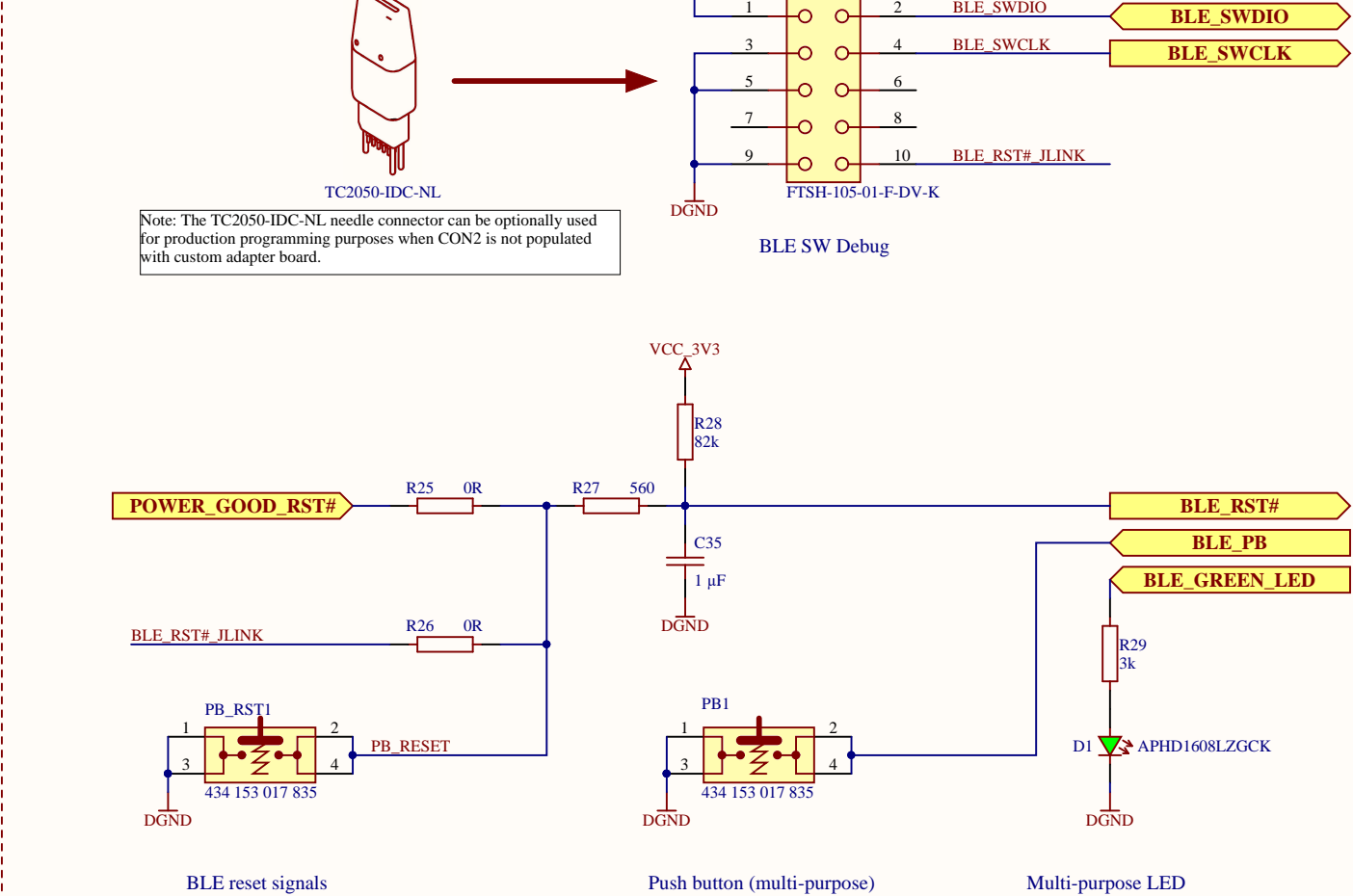
Image sensor module connector

ISP related



USB IF for the ISP

BLE related



Note: The TC2050-IDC-NL needle connector can be optionally used for production programming purposes when CON2 is not populated with custom adapter board.

BLE reset signals

Push button (multi-purpose)

Multi-purpose LED

SECO-RSL10-CAM-GEVB

User interface, image sensor (IS) interface

Assembly variant:

rechargeable

State:

released

Revision: rev0.1

Repository revision: Not in version control

ON Semiconductor

Engineer: T. Duris

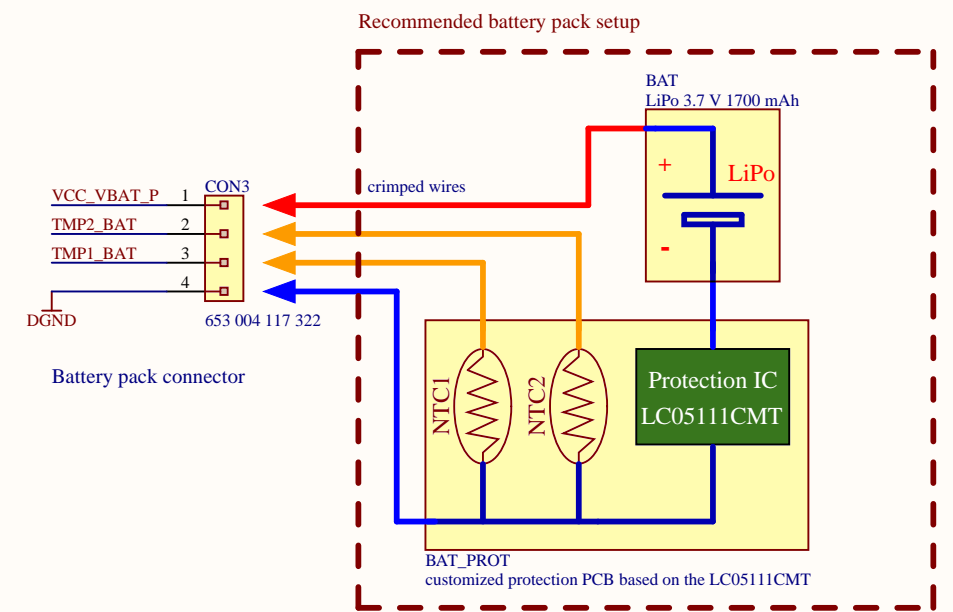
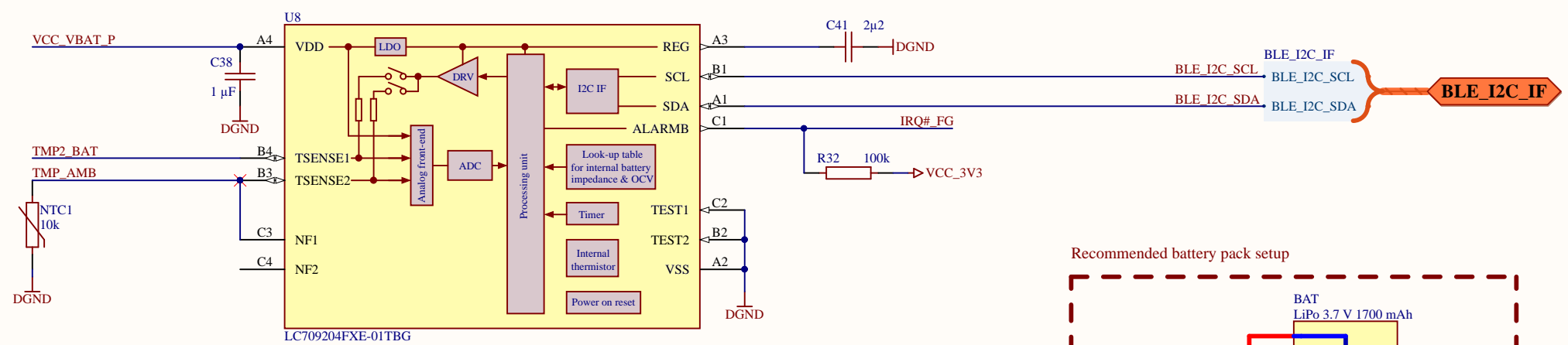
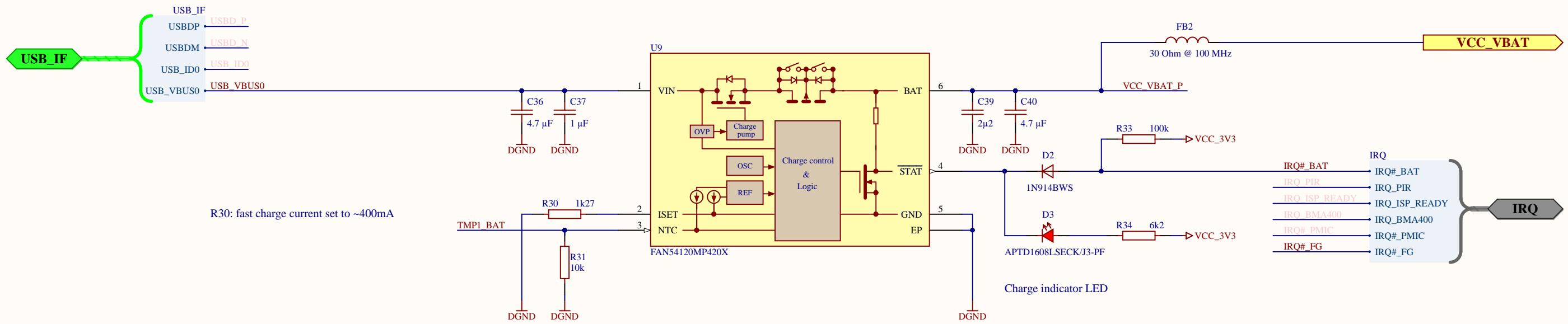
17. April 2020 20:18

Solution Engineering Center
Piestany

File: ULP_BLE_Camera_interface.SchDoc

7/11

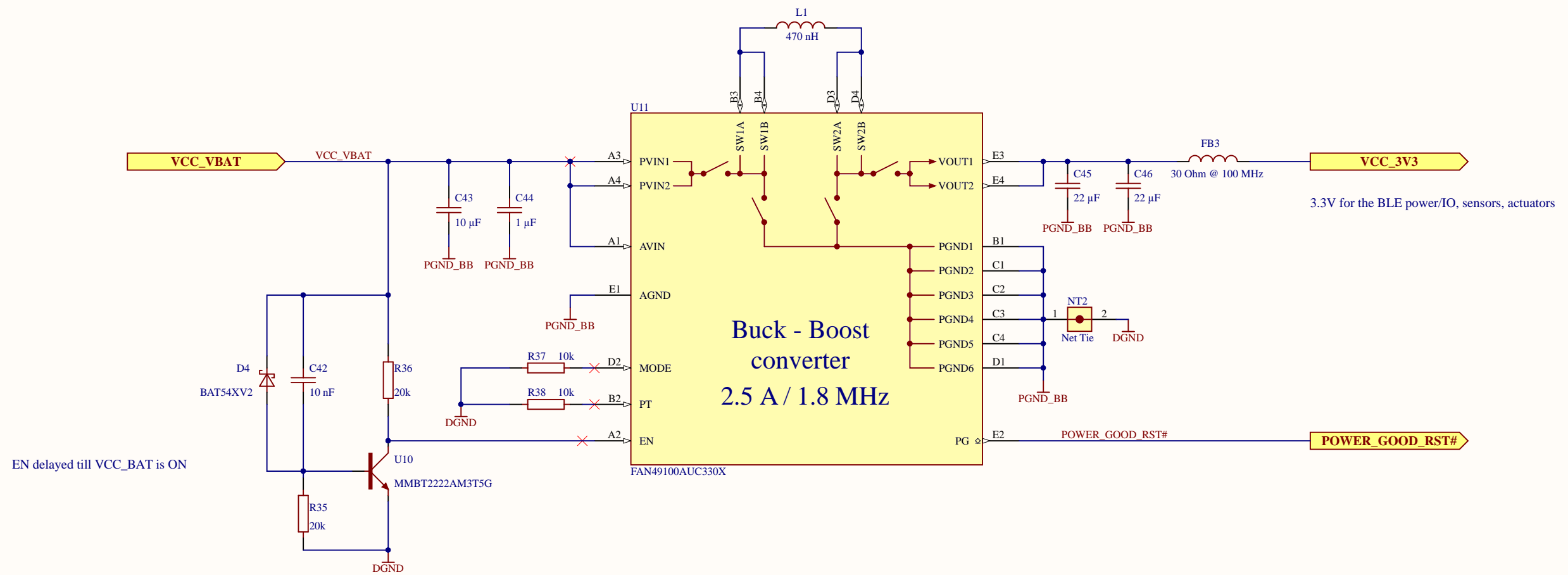




Battery pack (including protection circuit) is not part of the SECO-RSL10-CAM-GEVB

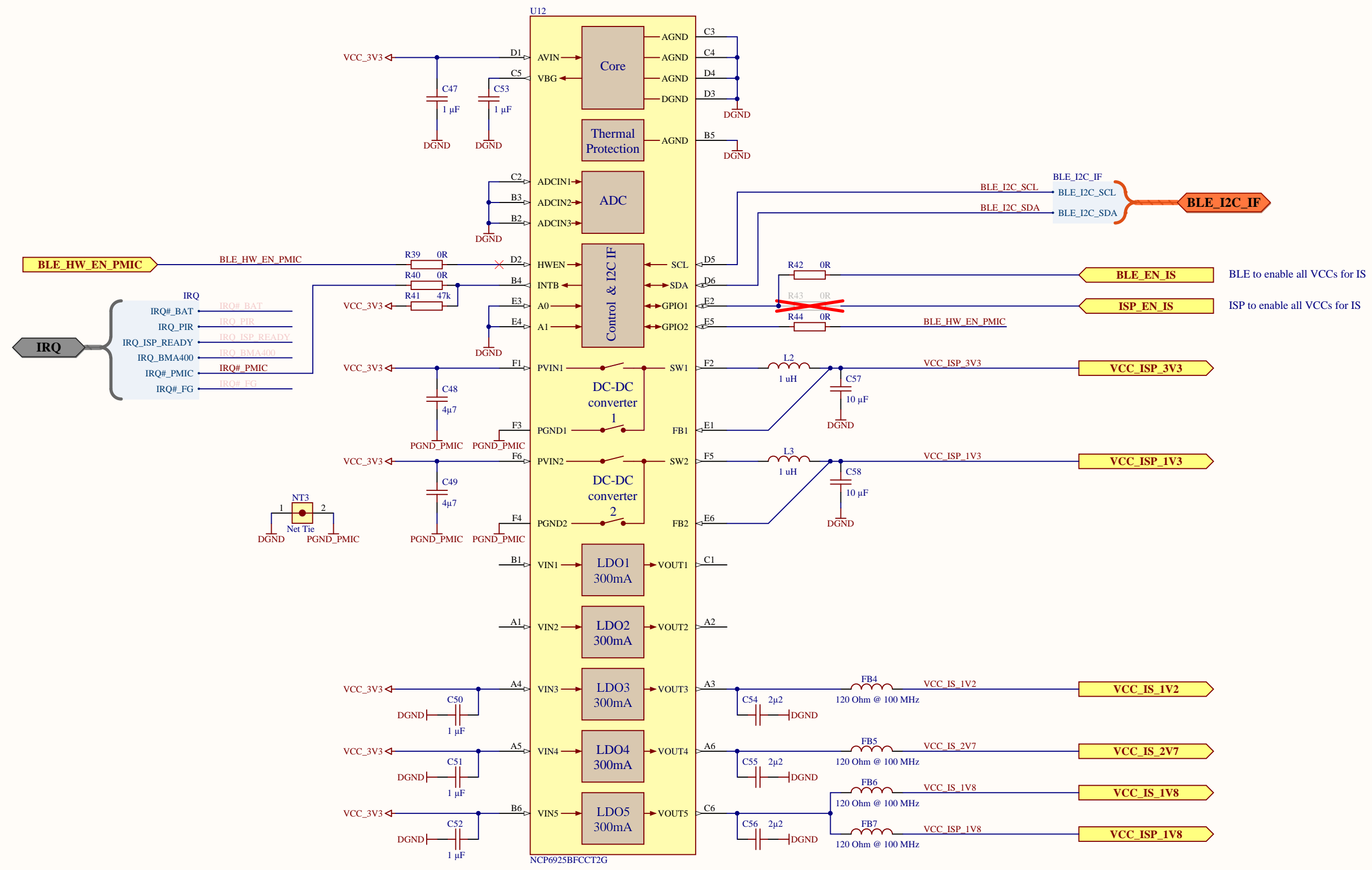
SECO-RSL10-CAM-GEVB		Assembly variant:	State:
<i>Battery management</i>		<i>rechargeable</i>	<i>released</i>
Revision: rev0.1	Repository revision: Not in version control	ON Semiconductor Solution Engineering Center Piestany	
Engineer: T. Duris	17. April 2020 20:18		
File: ULP_BLE_Camera_battery_management.SchDoc	8/11		





SECO-RSL10-CAM-GEVB Power management - part 1		Assembly variant: rechargeable	State: released
Revision: rev0.1	Repository revision: Not in version control		ON Semiconductor Solution Engineering Center Piešťany
Engineer: T. Duris	17. April 2020 20:18		
File: ULP_BLE_Camera_power_part1.SchDoc	9/11		





I2C address (7-bit): 0x50h





ISP related	VCC_ISP_1V3	1.3V for the digital core
ISP related	VCC_ISP_1V8	1.8V for the sensor IF
ISP related	VCC_ISP_3V3	3.3V for the I/O, internal LDO, serial flash, SPI IF, USB IF
IS related	VCC_IS_1V2	1.2V for the digital core, PLL, MIPI IF
IS related	VCC_IS_1V8	1.8V for the I/O
IS related	VCC_IS_2V7	2.7V for the analog core, pixel array

SECO-RSL10-CAM-GEVB		Assembly variant:	State:
Power management - part 2		rechargeable	released
Revision: rev0.1	Repository revision: Not in version control	ON Semiconductor Solution Engineering Center Piestany	
Engineer: T. Duris	17. April 2020 20:18		
File: ULP_BLE_Camera_power_part2.SchDoc	10/11		



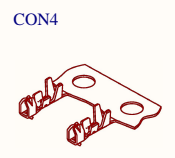
Recommended battery pack assembly
not part of the SECO-RSL10-CAM-GEVB



- CBL1

hook up cable AWG28 yellow colour
- CBL2

hook up cable AWG28 yellow colour
- CBL3

hook up cable AWG28 black colour
- CBL4

hook up cable AWG28 red colour

cables out of the battery pack

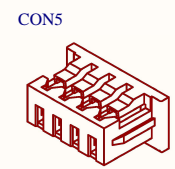
+



653 101 137 22

cable crimpes (4pcs)

+



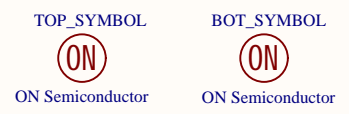
653 004 113 322

female terminal for crimped cables



4496B-1/2"X36YD

double-side adhesive tape



SECO-RSL10-CAM-GEVB		Assembly variant:	State:
<i>Recommended mechanical accessories</i>		<i>rechargeable</i>	<i>released</i>
Revision: rev0.1	Repository revision: Not in version control		ON Semiconductor Solution Engineering Center Piešťany
Engineer: T. Duris	17. April 2020 20:18		
File: ULP_BLE_Camera_mechanical_accessories.SchDoc	11/11		

