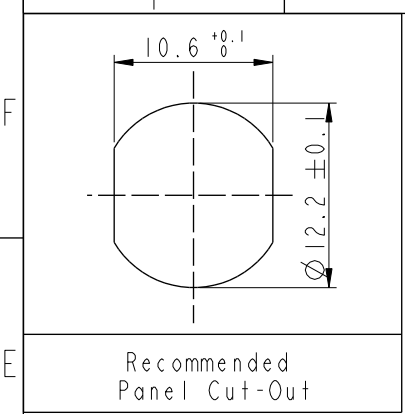
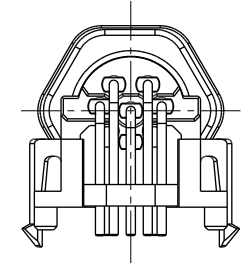
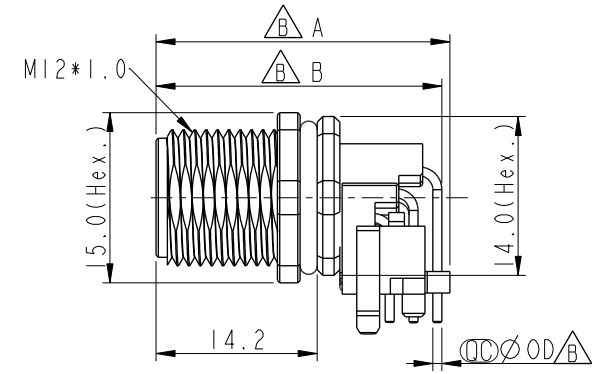
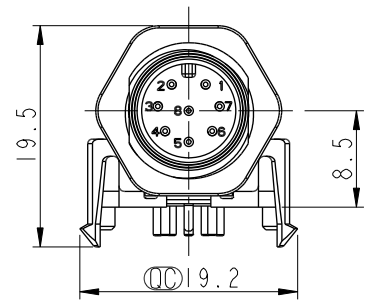
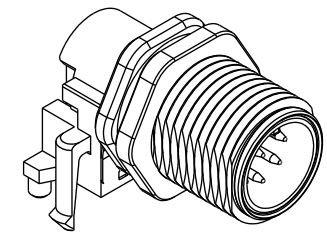
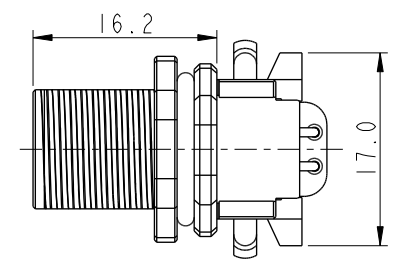


THIS DOCUMENT IS SUBJECT TO CHANGE WITHOUT NOTICE. IT IS CONFIDENTIAL AND A PROPERTY OF Amphenol LTW. DISCLOSURE TO THIRD PARTY HAS TO BE AUTHORIZED BY Amphenol LTW.

REV.	ECN NO.	DATE	SIGN	DESCRIPTION
B	C190510	2019-03-21	Su Nan	Add The Size Table
C	C200275	2020-03-13	Nan_Su	$\triangle C$ X1
D	C210309	2021-03-10	Ruru	$\triangle D$ X4

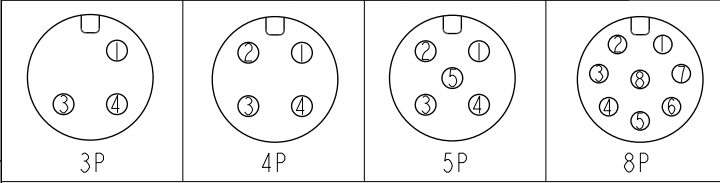


$\triangle D$ MSAS-XXPMMR-SF7003
XX: No. Of Pin

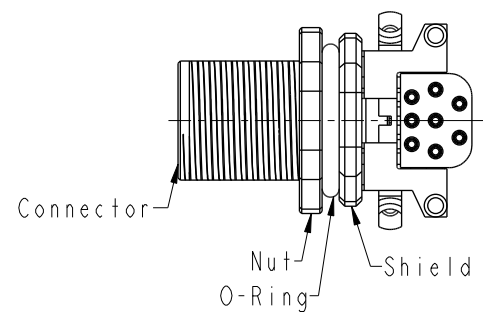


MSAS-03PMMR-SF7003	26.1	25.0	1.0
MSAS-04PMMR-SF7003	26.1	25.0	1.0
MSAS-05PMMR-SF7003	26.1	25.0	1.0
MSAS-08PMMR-SF7003	25.9	25.2	0.8

Item No.	A	B	OD	$\triangle B$
----------	---	---	----	---------------



Pin Assignment Front View



- $\triangle D$ Note:
- * RoHS Compliant
 - * \odot Important dimension
 - * Waterproof rate: IPX7, mated
 - * Connector
 - Housing: Thermoplastic, Black
 - Pin: Copper alloy, Gold plated
 - O-Ring: Rubber, Black
 - * Shield: Metal
 - * Nut: Metal
 - * O-Ring: Rubber, Gray
 - * For panel thickness max: 3.0mm
 - * For pcb thickness max: 1.6mm
 - $\triangle C$ * Nut is packed separately in pe bag

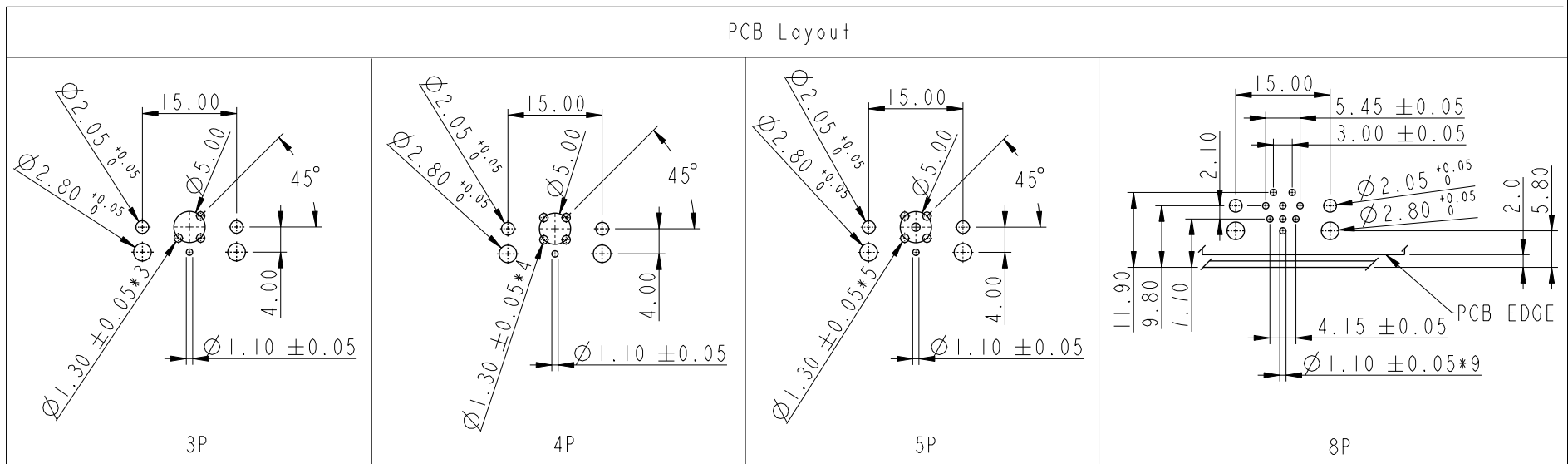
UNIT: mm		TITLE	
TOLERANCE	± 0.25	N SEN, M12 A -SHLD, SCREW RECEPTACLE, M, M, PCB R $\triangle D$	
.X	± 0.1	SCALE	3:2
.XX	± 0.05	SIZE	A4
.XXX	± 0.05	SHEET	1 OF 2
ANGLES	$\pm 1^\circ$	REV.	D
		WC-REV.	.0
		\odot	Inspection item

Amphenol LTW
安費諾亮泰企業股份有限公司

ITEM NO.	DRAWN BY	DATE
MSAS-XXPMMR-SF7003	Su Nan	2019-03-21
DWG NO.	CHECKED BY	DATE
MSAS-XXPMMR-SF7003	Feng	2019-03-21
CUSTOMER	APPROVED BY	DATE
ALTW	Jerry	2019-03-21

THIS DOCUMENT IS SUBJECT TO CHANGE WITHOUT NOTICE. IT IS CONFIDENTIAL AND A PROPERTY OF Amphenol LTW. DISCLOSURE TO THIRD PARTY HAS TO BE AUTHORIZED BY Amphenol LTW.

PCB Layout



A	UNIT: mm	TITLE N SEN, M12 A -SHLD, SCREW RECEPTACLE, M, M, PCB R	
	TOLERANCE .X ±0.25 .XX ±0.1 .XXX ±0.05 ANGLES ±1°	SCALE 3:2	SIZE A4
		REV. D	SHEET 2 OF 2
		WC-REV. .0	①: Inspection item

Amphenol LTW
安費諾亮泰企業股份有限公司

ITEM NO	DRAWN BY Su Nan	DATE 2019-03-21
DWG NO MSAS-XXPMR-SF7003	CHECKED BY Feng	DATE 2019-03-21
CUSTOMER ALTW	APPROVED BY Jerry	DATE 2019-03-21