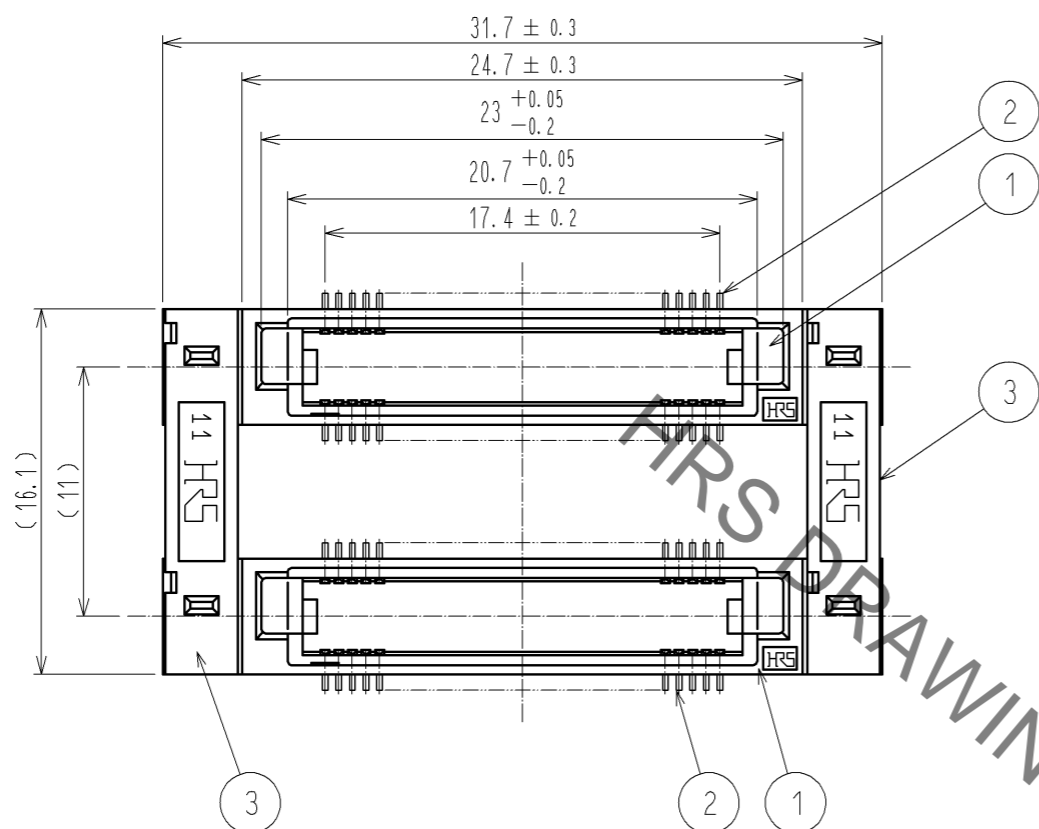
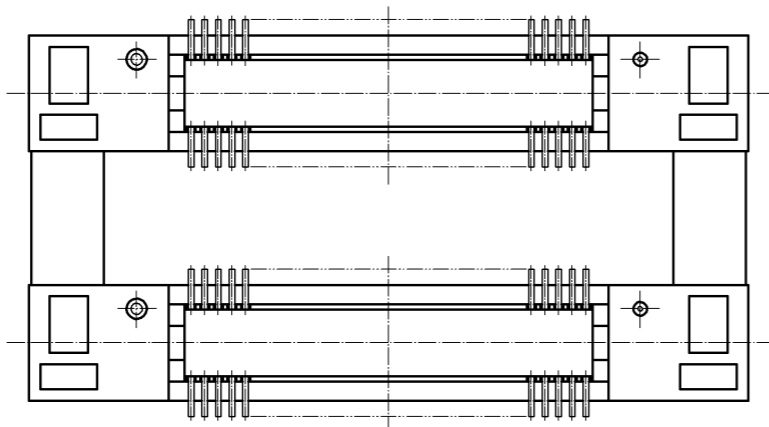
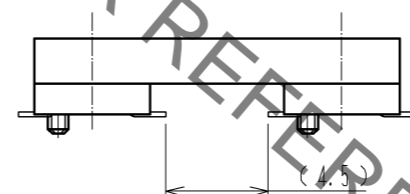
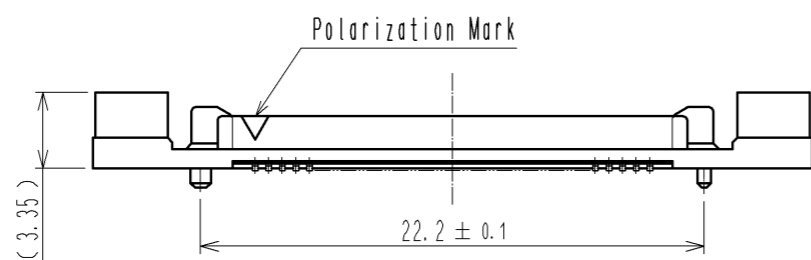
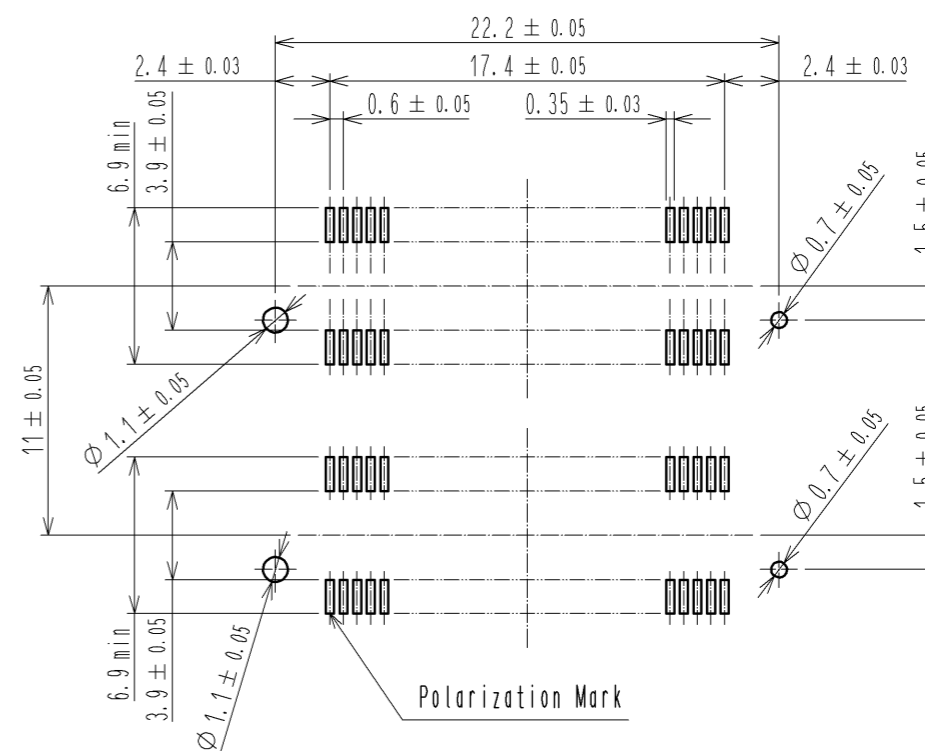


Aug.1.2019 Copyright 2019 HIROSE ELECTRIC CO., LTD. All Rights Reserved.  
In case of consideration for using Automotive equipment / device which demand high reliability, kindly contact our sales window correspondents.



Recommended land pattern dimensions of PCB  
(Mounting Side)

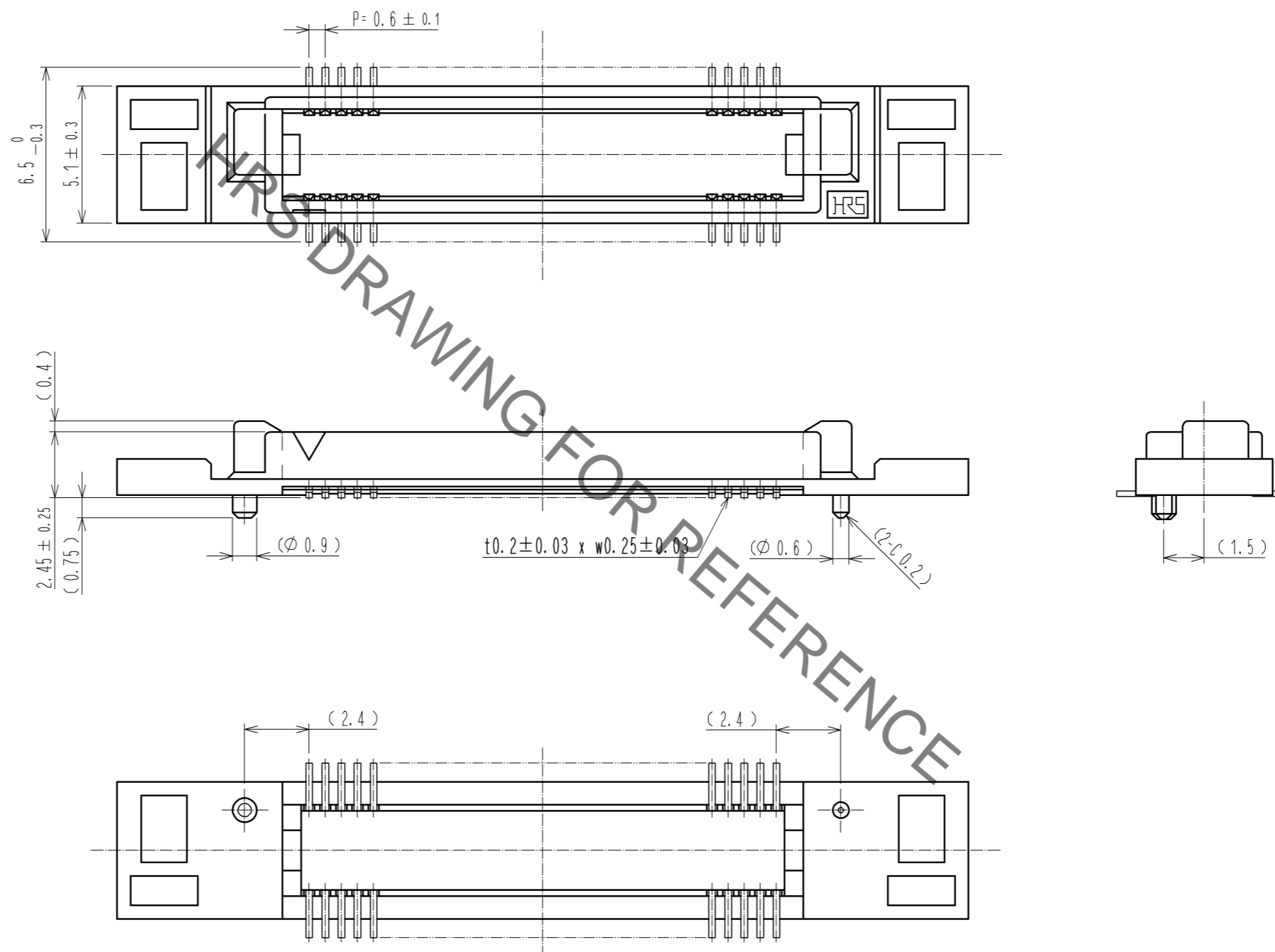


- NOTES
- 1 Lead Co-Planarity shall be 0.1mm max.
  - 2 After mounting board, ref.No.3 shall be removed.
  - 3 For modification, etc., preventive hole for sink mark may be added depends on circumstances.
  - 4 The dimensions in parentheses are for reference.

1.3	PPS	LIGHT BROWN(CUL94V-0)	3	PHOSPHOR BRONZE	CONTACT AREA: Au0.1µm min. LEAD AREA : Au FLASH UNDER PLATING: Ni0.5µm min.		
NO.	MATERIAL	FINISH . REMARKS	NO.	MATERIAL	FINISH . REMARKS		
UNITS mm		SCALE Free	COUNT 	DESCRIPTION OF REVISIONS	DESIGNED	CHECKED	DATE
<b>HRS</b> HIROSE ELECTRIC CO., LTD.		APPROVED : HS. OKAWA	14.05.19	DRAWING NO.	EDC3-150684-25		
		CHECKED : HT. YAMAGUCHI	14.05.19	PART NO.	FX8-60/60P11-SVJ(71)		
		DESIGNED : KJ. NISHIWAKI	14.05.16	CODE NO.	CL578-0101-0-71		
		DRAWN : KJ. NISHIWAKI	14.05.16		1/1		

Aug.1.2019 Copyright 2019 HIROSE ELECTRIC CO., LTD. All Rights Reserved.  
In case of consideration for using Automotive equipment / device which demand high reliability, kindly contact our sales window correspondents.

DETAIL AFTER REMOVING JOINT



<b>HRS</b>	DRAWING NO.	EDC3-150684-25
	PART NO.	FX8-60/60P11-SVJ(71)
	CODE NO.	CL578-0101-0-71
		$\triangle$ 2/1