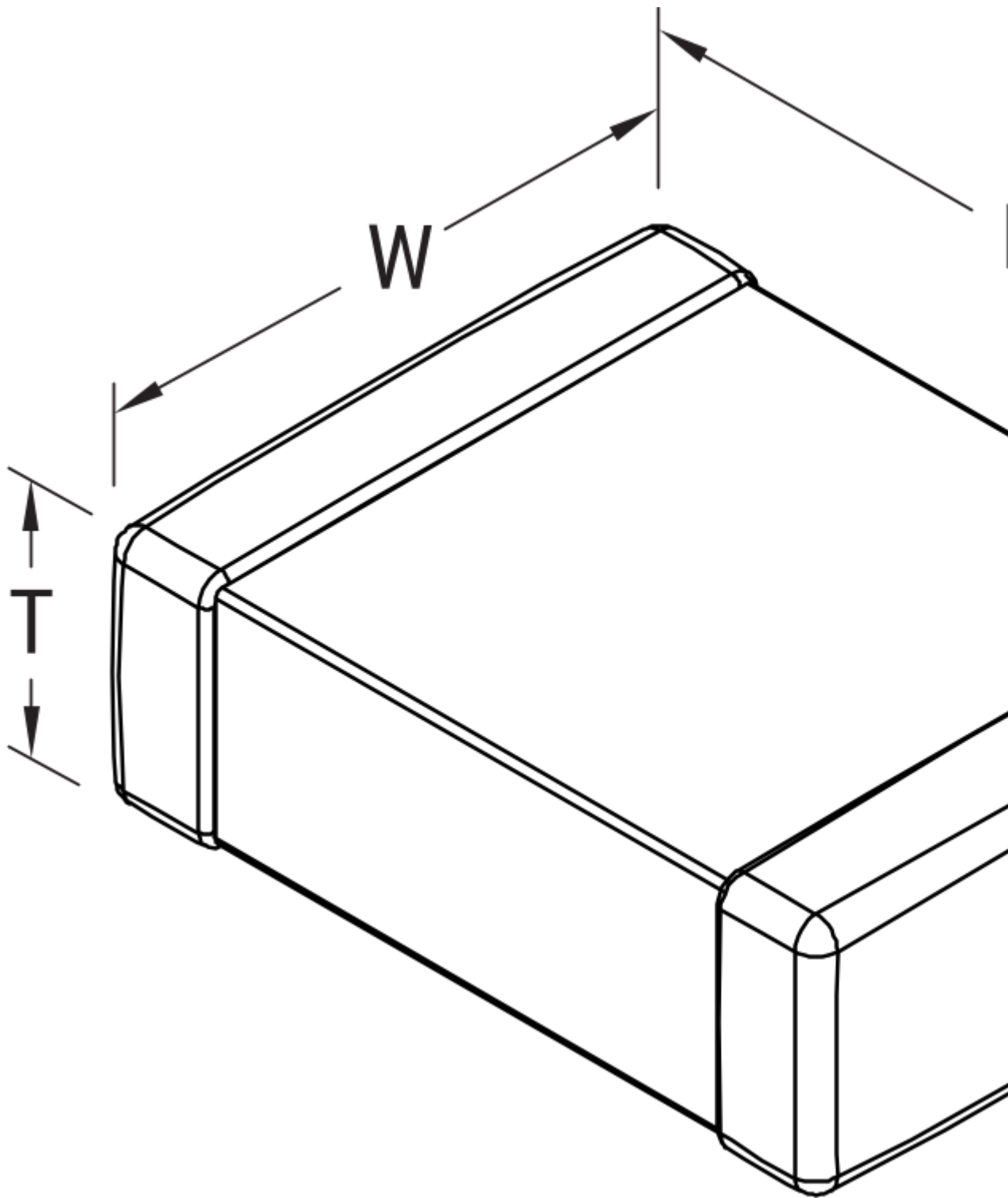


C0805A222K1XAH7189

GR900 SMD Space, Ceramic, 2200 pF, 10%, 100 VDC, BX, N/A, 0805



Click [here](#) for the 3D model.

Dimensions

Chip Size 0805

L	2.03mm +/-0.38mm (0.08 in +/-0.015 in)
W	1.27mm +/-0.38mm (0.05 in +/-0.015 in)
T	1.4mm MAX (0.055 in MAX)
B	0.51mm +/-0.25mm (0.02 in +/-0.01 in)

Packaging Specifications

Packaging T&R, Plastic Tape

General Information

Series	GR900 SMD Space
Style	SMD Chip
RoHS	No
Prop 65	WARNING: Cancer and reproductive harm - http://www.p65warnings.ca.gov .
SCIP Number	2a1e1a41-ed35-45dd-8d0d-907fc06efdab
Termination	Lead (SnPb)
Failure Rate	N/A
Testing and Reliability	GR900 CSAM A
AEC-Q200	No
Shelf Life	78 Weeks
MSL	1

Specifications

Capacitance	2200 pF
Capacitance Tolerance	10%
Voltage DC	100 VDC
Temperature Range	-55/+125°C
Temperature Coefficient	BX

Statements of suitability for certain applications are based on our knowledge of typical operating conditions for such applications, but are not intended to constitute - and we specifically disclaim - any warranty concerning suitability for a specific customer application or use. This Information is intended for use only by customers who have the requisite experience and capability to determine the correct products for their application. Any technical advice inferred from this Information or otherwise provided by us with reference to the use of our products is given gratis, and we assume no obligation or liability for the advice given or results obtained.

Generated 5/18/2023 - 0d765d02-f9cc-4ec2-b65c-d287944cd50e

© 2006 - 2023 KEMET

Generated 5/18/2023 - 0d765d02-f9cc-4ec2-b65c-d287944cd50e

© 2006 - 2023 KEMET