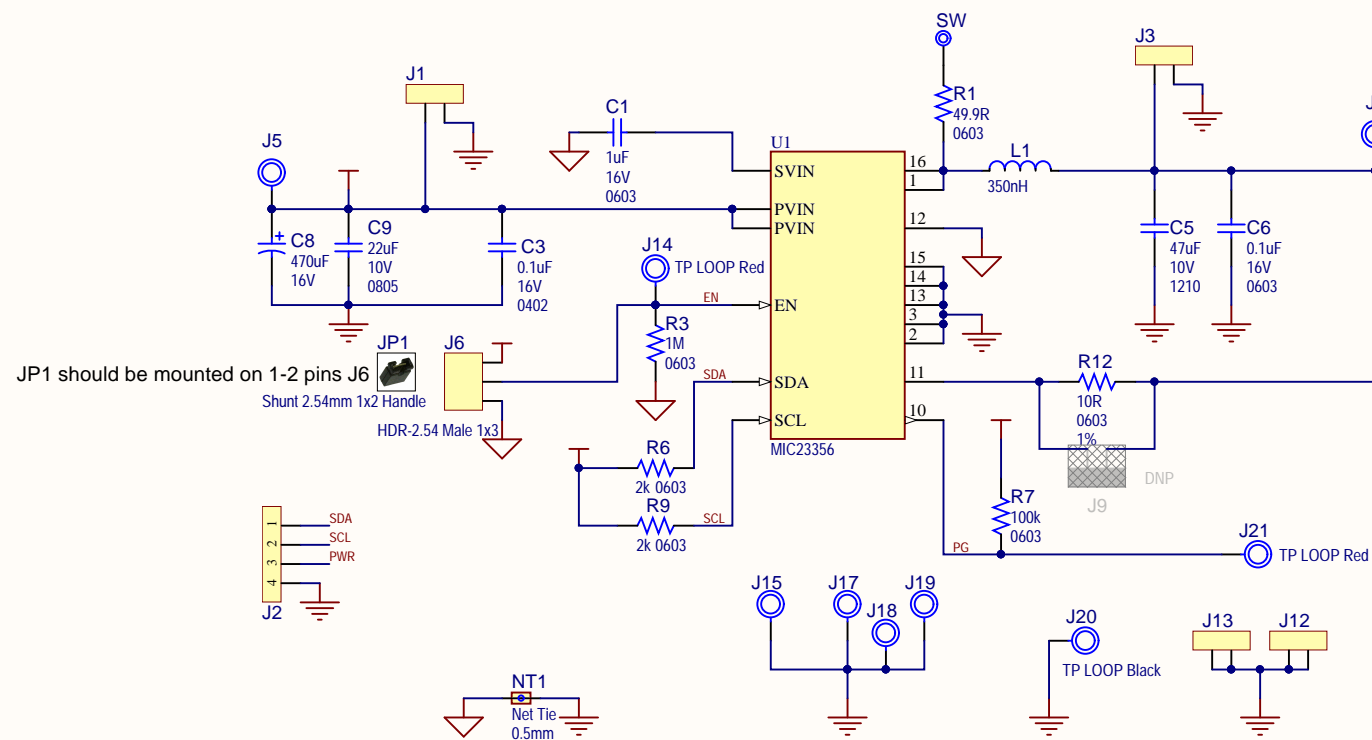
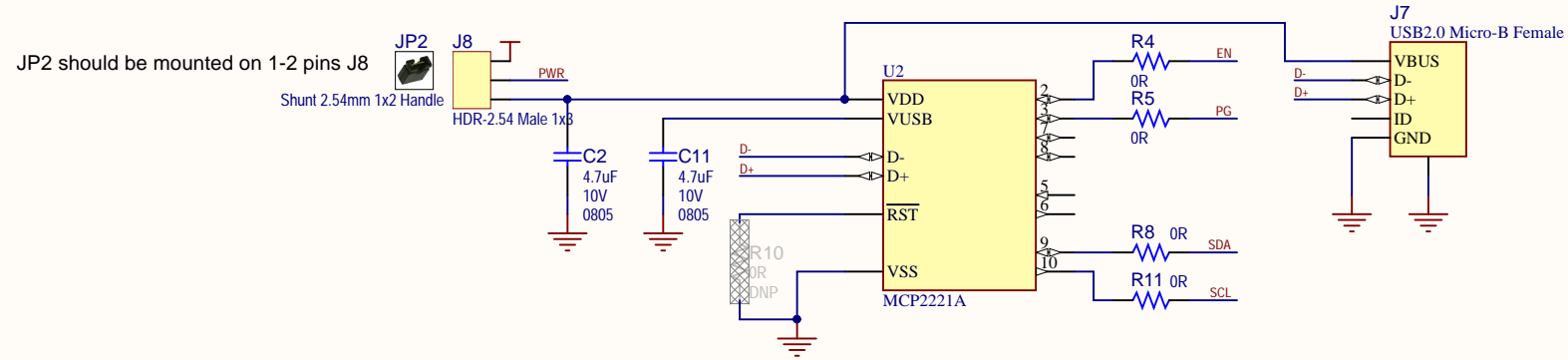


REV	ECO#	DESCRIPTION	DATE



- PAD1 Rubber Pad Cyl D7.9H5.3
- PAD2 Rubber Pad Cyl D7.9H5.3
- PAD3 Rubber Pad Cyl D7.9H5.3
- PAD4 Rubber Pad Cyl D7.9H5.3

LABEL1  
**02- -R1**  
 LABEL Need Help Small

Drawn By: Alexandru Stoica		
Engineer: Alexandru Stoica		
PartNumber: ADM00881	Project Title <b>MIC23356 Eval Board</b>	
Sheet Title <b>MIC23356 Eval Board</b>		
Size B	Sch #: #03-10741	Date: 9/27/2018 2:09:41 PM
Revision: 1		Sheet 1 of 1
File: B_Microchip.SchDoc		

*Designed with*  
  
 Altium.com