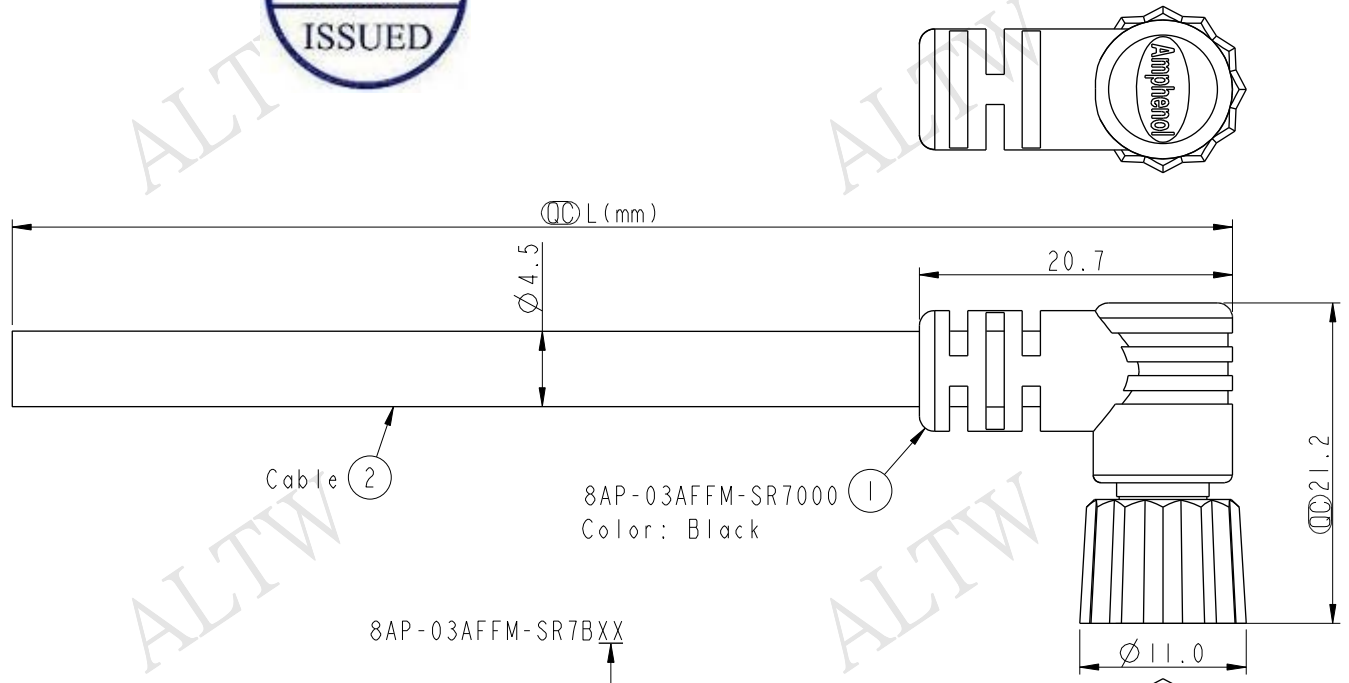
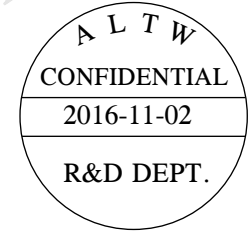


THIS DOCUMENT IS SUBJECT TO CHANGE WITHOUT NOTICE. IT IS CONFIDENTIAL AND A PROPERTY OF Amphenol LTW. DISCLOSURE TO THIRD PARTY HAS TO BE AUTHORIZED BY Amphenol LTW.

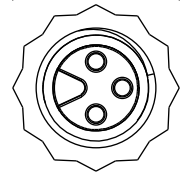
REV.	ECN NO.	DATE	SIGN	DESCRIPTION



Cable ②

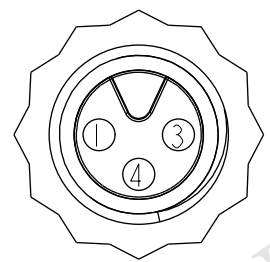
8AP-03AFFM-SR7000 ①
Color: Black

8AP-03AFFM-SR7BXX
XX: 01~99Meters
01: 01Meter
02: 02Meter
...
99: 99Meters
Cable Length(L): 01~99Meters



Conn.

- Note:
- * \varnothing Important Dimension.
 - * Waterproof Rate: IP67.
 - * Connector: PU, Black.
 - * Female Pin: Copper Alloy, Gold Plated.
 - * Screw Nut: Nylon+GF, Black.
 - * O-Ring: Viton, Green.
 - * Cable: 22AWG*3C+Insulation, PU Jacket, OD=4.5, Black.
 - * Cable Length Tolerance: 01M: ± 40 mm
02~05M: ± 60 mm
06~10M: ± 100 mm
11~30M: ± 200 mm
31~99M: ± 500 mm



Pin Assignments Front View

Pin	Wire Color	Pin Out
4	Black 黑	
3	Blue 藍	
1	Brown 棕	
Conn.	Wire Color	Pin Out

UNIT:mm \varnothing

TOLERANCE ± 0.5 mm

TITLE M8 3Pin Cable F Conn. F Pin			
SCALE 2:1	SIZE A4	SHEET 1 OF 1	
REV. A	WC-REV. A.3	\varnothing : Inspection item	

Amphenol LTW
安費諾亮泰企業股份有限公司

ITEM NO	DRAWN BY Neo	DATE 2016/11/02
DWG NO 8AP-03AFFM-SR7BXX	CHECKED BY Kris	DATE 2016/11/02
CUSTOMER ALTW	APPROVED BY Max	DATE 2016/11/02