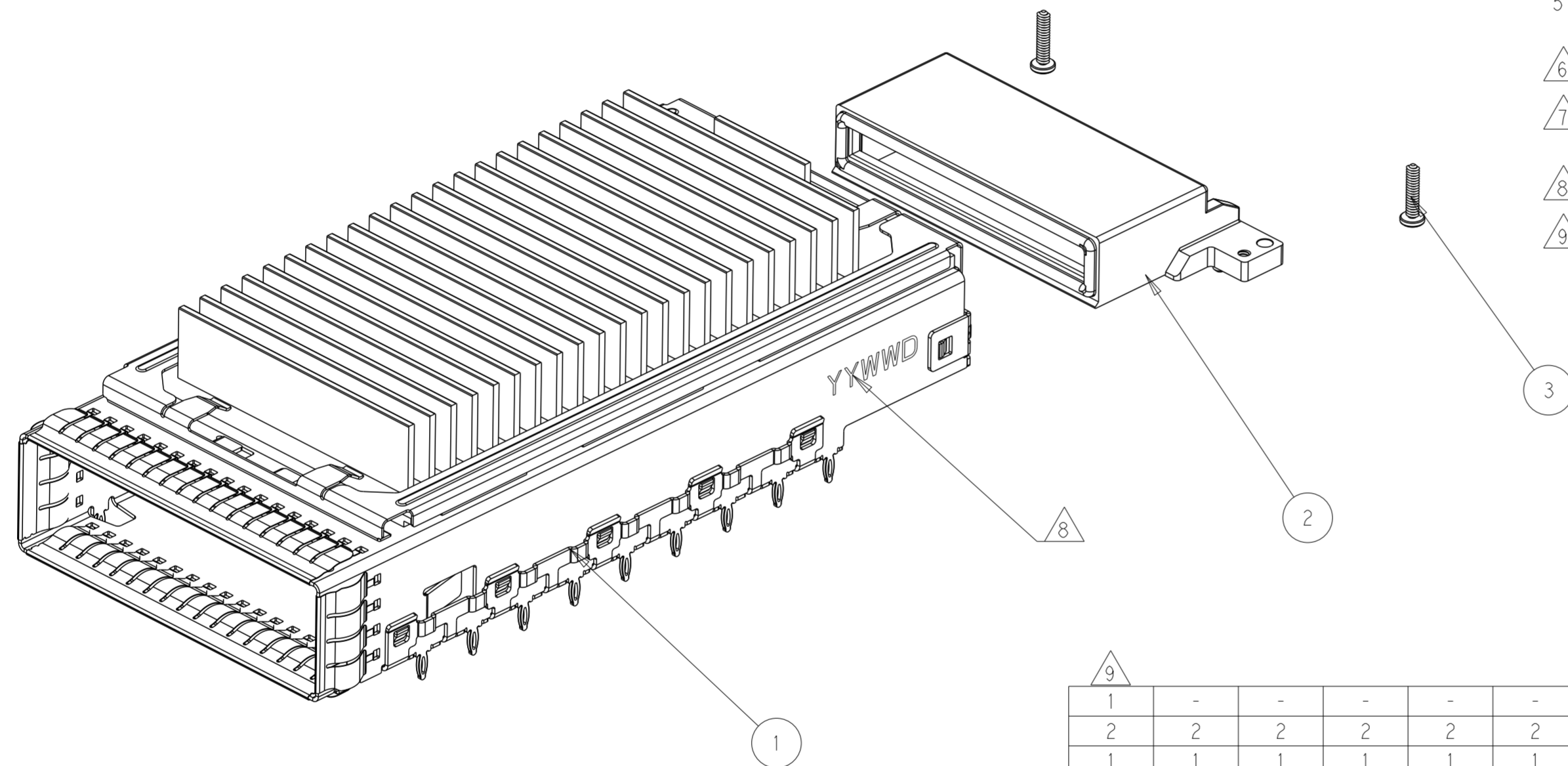


THIS DRAWING IS UNPUBLISHED. RELEASED FOR PUBLICATION 20
 © COPYRIGHT 20 BY - ALL RIGHTS RESERVED.

REVISIONS					
P	LTR	DESCRIPTION	DATE	DWN	APVD
A		RELEASED FOR MASS PRODUCTION	23APR2019	TX	SH
A1		REVISED PER ECO-20-001509	20DEC2019	JY/IT	SH
A2		ADDED NEW DASH -7	22DEC2020	AJ	SZ
B1		REVISED PER ECN-22-140255	22FEB2022	ES	SZ

- 1 MATERIAL :CAGE :0.4MM THICK NICKEL SILVER ALLOY;
EMI SPRING: COPPER ALLOY;
HEAT SINK CLIP: STAINLESS STEEL;
HEAT SINK:ALUMINUM ALLOY;
RECEPTACLE COVER:ZINC ALLOY;
- 2 FINISH: EMI SPRING :1.27um NICKEL PALTING OVER ALL;
HEAT SINK:BLACK ANODIZED COATING;
RECEPTACLE COVER: 1.27um MIN NICKEL PLATING OVER COPPER PLATING;
HEAT SINK CLIP:PASSIVATE;
- 3. MATES WITH CFP MSA COMPLIANT TRANSCEIVERS.
- 4 DATUM AND BASIC DIMENSION ESTABLISHED BY CUSTOMER.
- 5. MINIMUM PC BOARD THICKNESS: SIGLE SIDE APPLICATIONS 2.0MM MIN.
BELLY TO BELLY APPLICATION:3.0MM MIN
- 6 PADS AND VIAS CHASSIS GROUND;
- 7 REFERENCE APPLICATION SOEC 114-32146 FOR
RECOMMENDED DRILL HOLE DIAMETER AND PLATING THICKNESS.
- 8 DATE CODE LOCATED AT APPROXIMATE AREA AS SHOWN.
- 9 PACKAGED AS A KIT



QTY	1	2	3	4	5	6	7	8	9	DESCRIPTION	ITEM
1	-	-	-	-	-	-	-	-	1-2288220-3	HEAT SINK CLIP	4
2	2	2	2	2	2	2	2	2	2292789-1	SCREW	3
1	1	1	1	1	1	1	1	1	2274846-1	RECEPTACLE COVER ASSEMBLY	2
1	-	-	-	-	-	-	-	-	2274843-3	CAGE ASSEMBLY WITH MYLAR TAPE,CFP2 1X1	1
-	1	-	-	-	-	-	-	-	1-2293277-1	CAGE ASSEMBLY WITH H/S,CFP2 1X1	
-	-	1	-	-	-	-	-	-	1-2293277-0	CAGE ASSEMBLY WITH H/S,CFP2 1X1	
-	-	-	1	-	-	-	-	-	2293277-9	CAGE ASSEMBLY WITH H/S,CFP2 1X1	
-	-	-	-	1	-	-	-	-	2293277-8	CAGE ASSEMBLY WITH H/S,CFP2 1X1	
-	-	-	-	-	1	-	-	-	2293277-7	CAGE ASSEMBLY WITH H/S,CFP2 1X1	
-	-	-	-	-	-	1	-	-	2293277-6	CAGE ASSEMBLY WITH H/S,CFP2 1X1	
-	-	-	-	-	-	-	1	-	2293277-2	CAGE ASSEMBLY WITH H/S,CFP2 1X1	
-	-	-	-	-	-	-	-	1	2293277-1	CAGE ASSEMBLY WITH H/S,CFP2 1X1	
1--1	-8	-7	-6	-5	-4	-3	-2	-1	PAR NUMBER	DESCRIPTION	

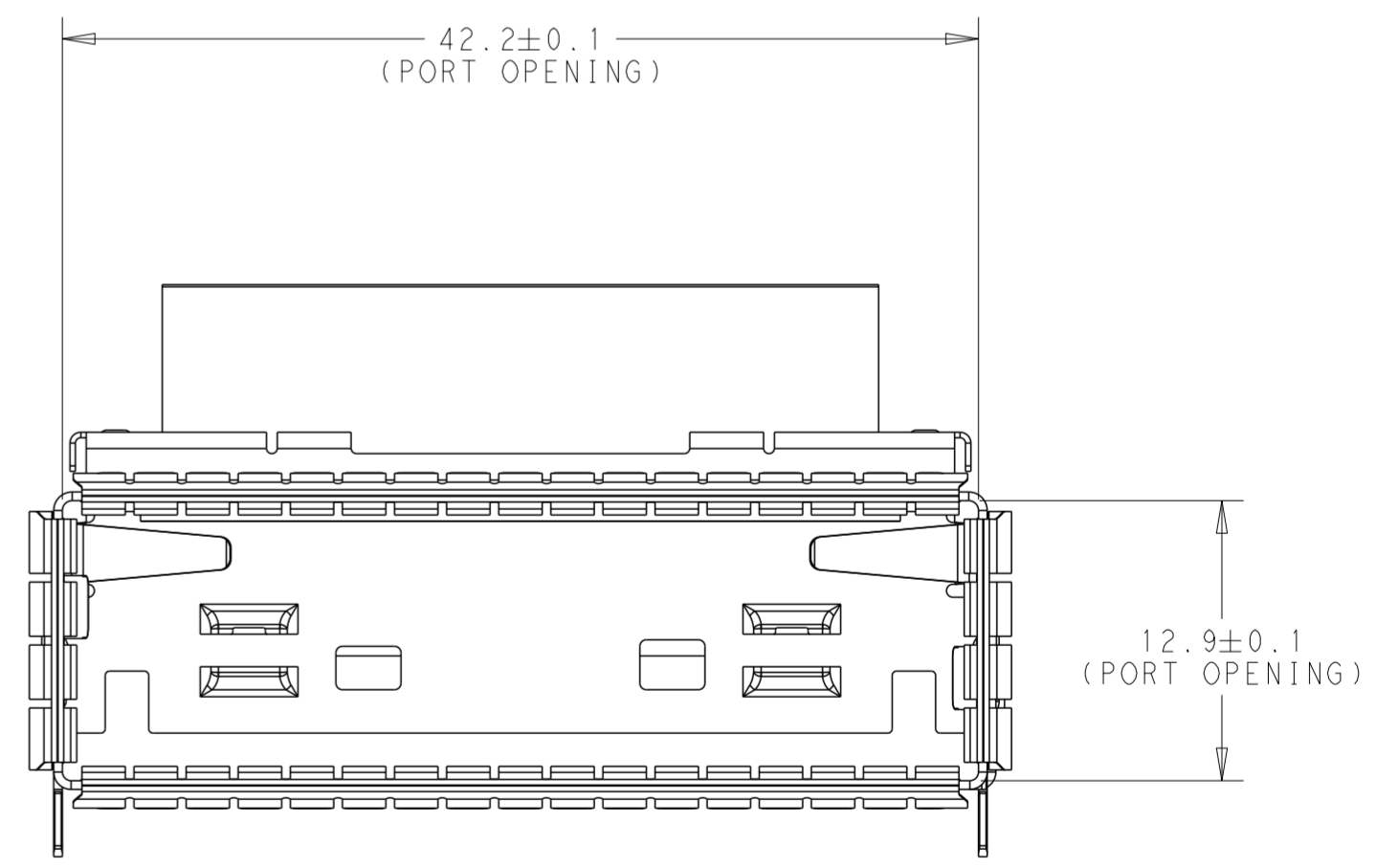
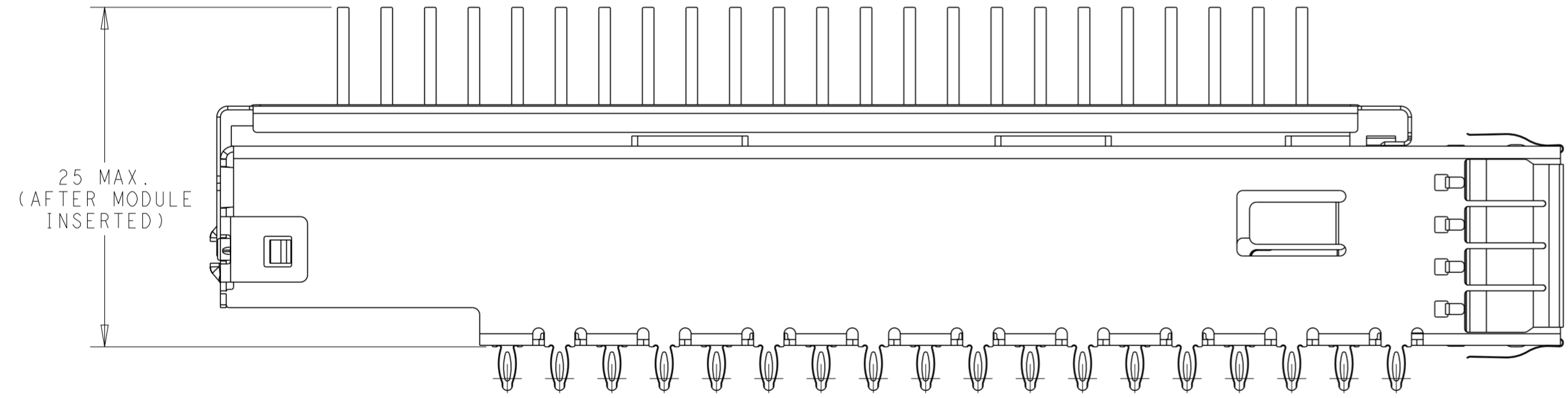
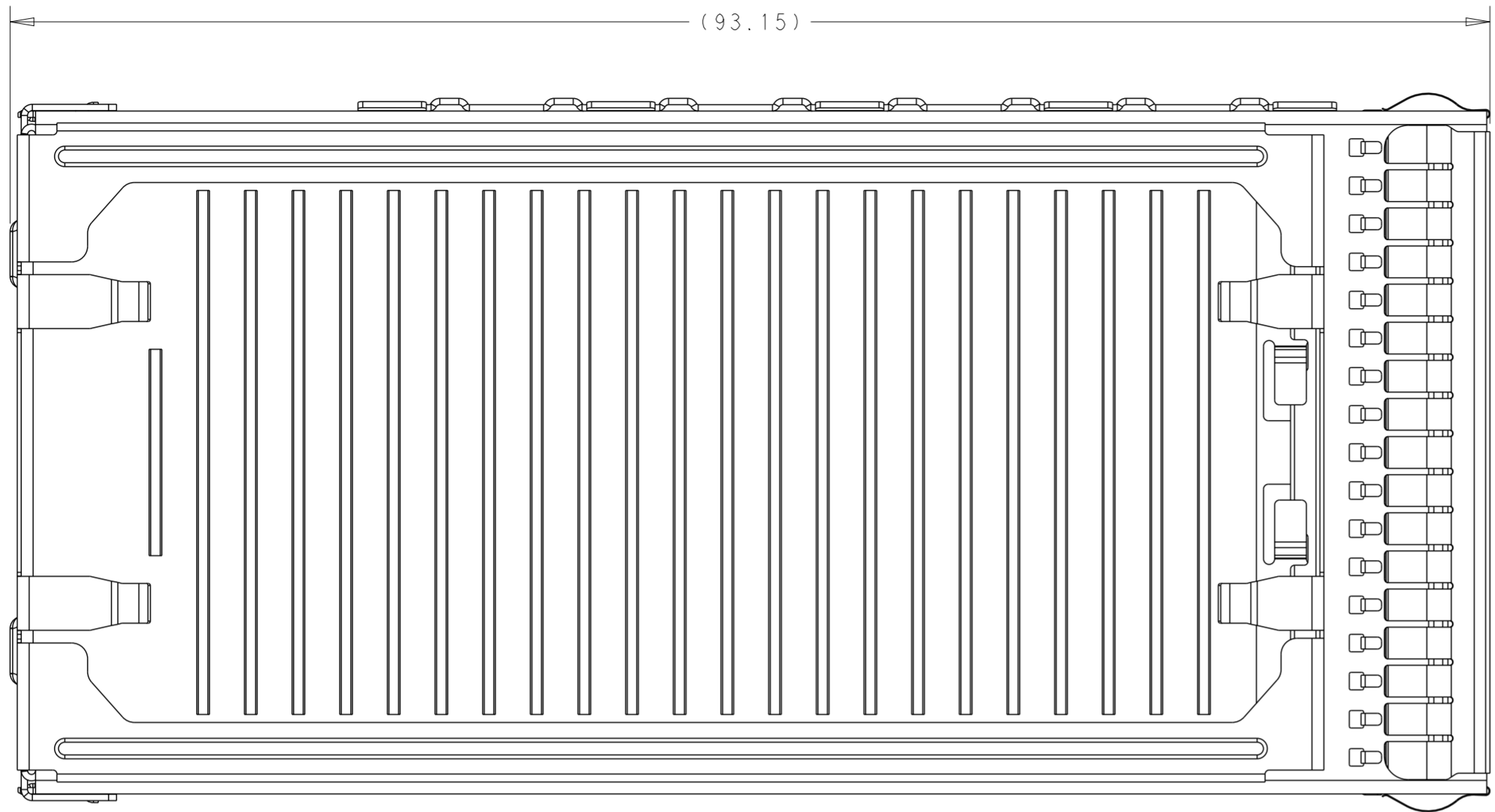
THIS DRAWING IS A CONTROLLED DOCUMENT.

DIMENSIONS: mm	TOLERANCES UNLESS OTHERWISE SPECIFIED: 0 PLC ± 1 PLC ±0.25 2 PLC ±0.20 3 PLC ±0.1 4 PLC ±0.05 ANGLES ±1	DWN ANDY.XIE 17JUN2015 CHK - APVD SEAN.HAN 17JUN2015 PRODUCT SPEC 108-32103 APPLICATION SPEC 114-32146 WEIGHT -	NAME HARD WARE KIT FOR CFP2 1X1 PRESS FIT (CAGE,HS,HS CLIP,COVER,SCREW) SIZE A2 CAGE CODE - DRAWING NO C-2274842 RESTRICTED TO -
MATERIAL SEE NOTES	FINISH SEE NOTES	CUSTOMER DRAWING	SCALE 1:1 SHEET 1 OF 13 REV B1


STE TE Connectivity

THIS DRAWING IS UNPUBLISHED. RELEASED FOR PUBLICATION 20
 © COPYRIGHT 20 BY - ALL RIGHTS RESERVED.

REVISIONS				
P	LTR	DESCRIPTION	DATE	APVD
-	-	SEE SHEET 1	-	-

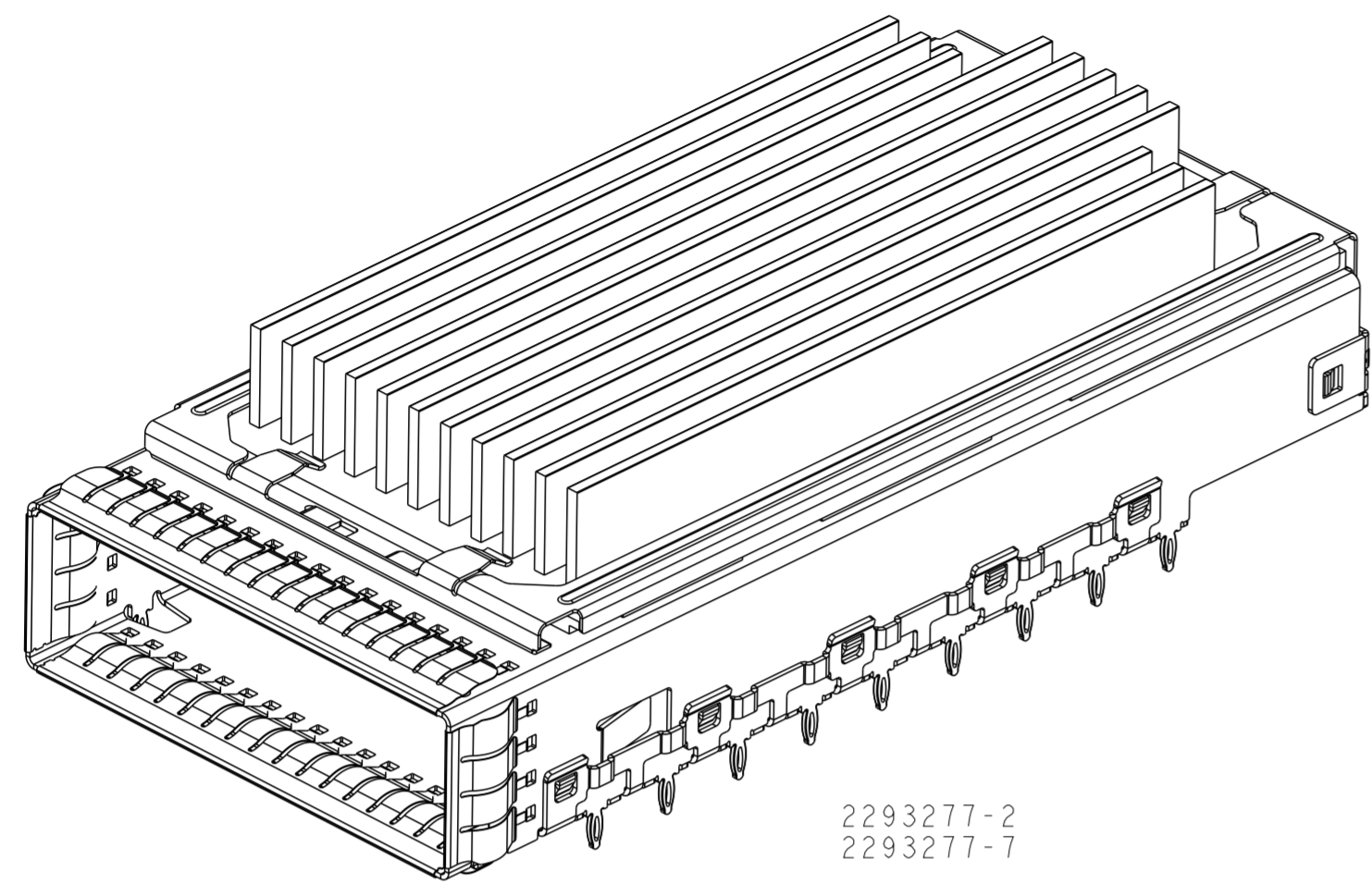


2293277-1 AS SHOWN

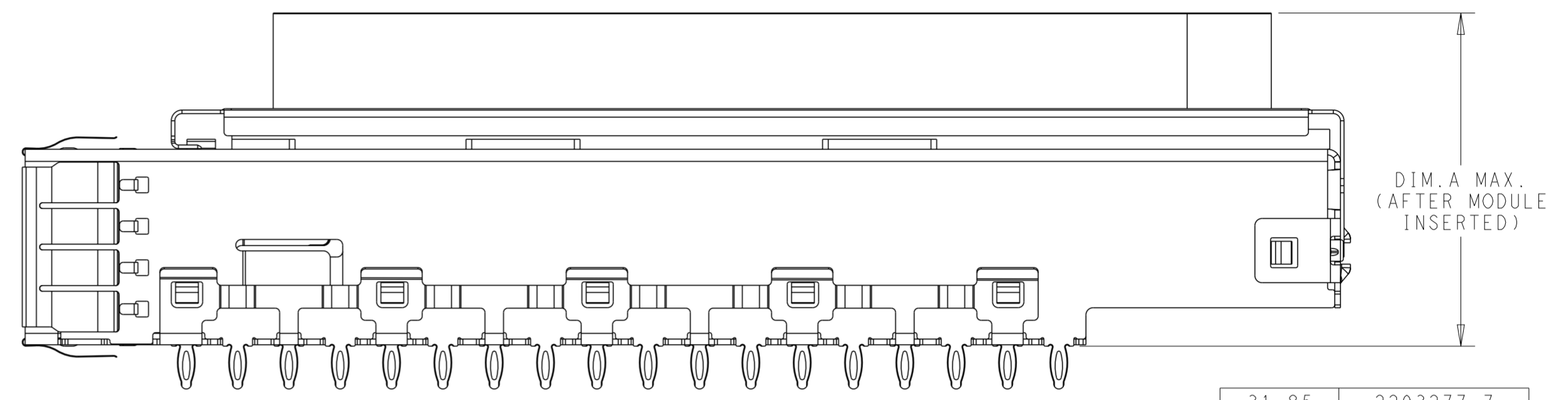
THIS DRAWING IS A CONTROLLED DOCUMENT.		DWN ANDY.XIE 17JUN2015	 TE Connectivity	
DIMENSIONS: mm		CHK - APVD SEAN.HAN 17JUN2015		
TOLERANCES UNLESS OTHERWISE SPECIFIED: 0 PLC ± 1 PLC ±0.25 2 PLC ±0.20 3 PLC ±0.1 4 PLC ±0.05 ANGLES ±1 FINISH		PRODUCT SPEC 108-32103 APPLICATION SPEC 114-32146 WEIGHT -	NAME HARD WARE KIT FOR CFP2 1X1 PRESS FIT (CAGE, HS, HS CLIP, COVER, SCREW)	
MATERIAL SEE NOTES		RESTRICTED TO -	SIZE A2	CAGE CODE -
SEE NOTES		CUSTOMER DRAWING	DRAWING NO. G-2274842	SCALE 1:1
-		SHEET 2 OF 13	REV B1	

THIS DRAWING IS UNPUBLISHED. RELEASED FOR PUBLICATION 20
 © COPYRIGHT 20 BY - ALL RIGHTS RESERVED.

REVISIONS				
P	LTR	DESCRIPTION	DATE	APVD
-	-	SEE SHEET 1	-	-



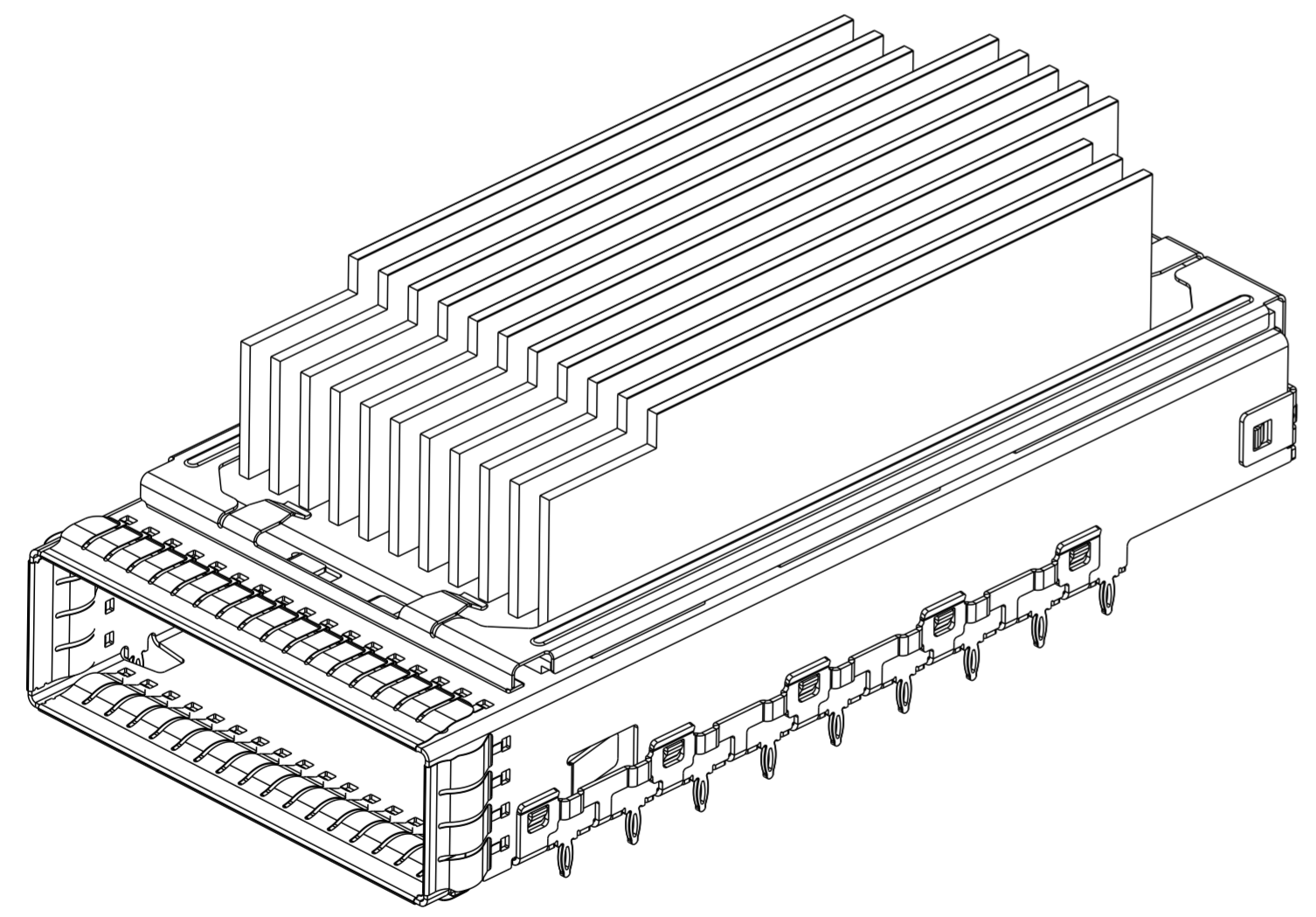
2293277-2
2293277-7



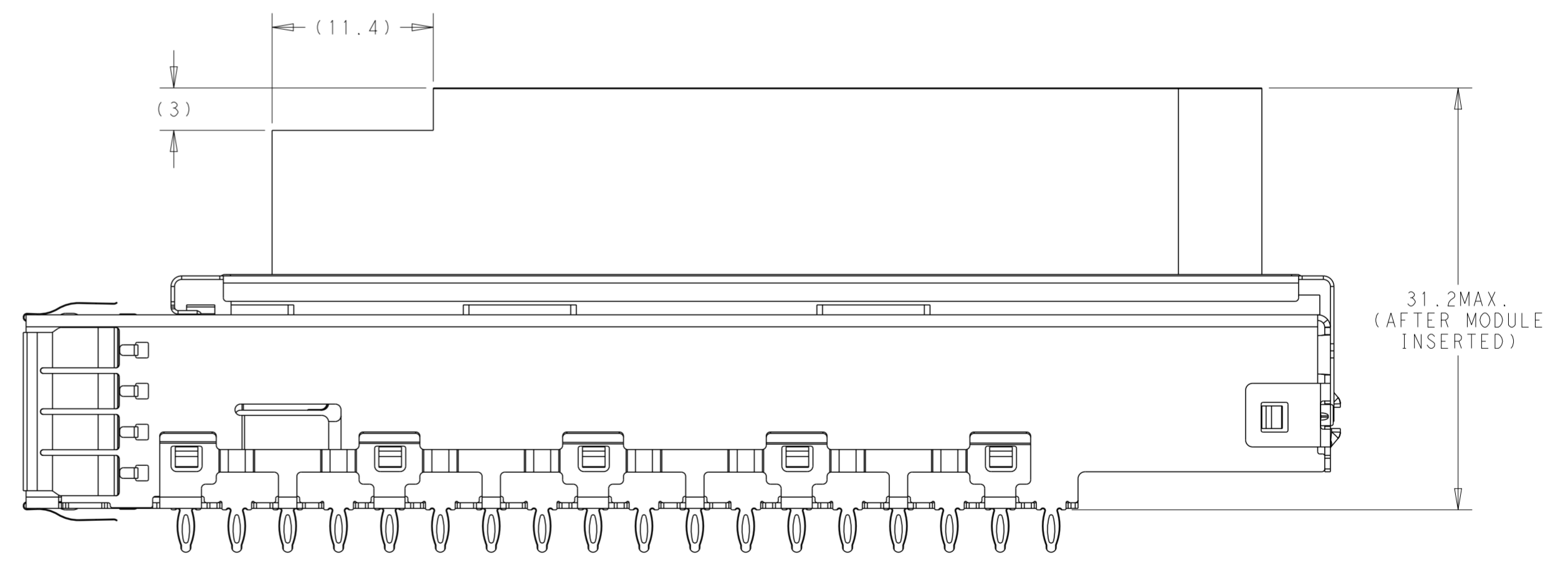
DIM. A MAX.
(AFTER MODULE
INSERTED)

2293277-2&2293277-7/1-2293277-0
OTHER DIMENSIONS
SAME AS 2293277-1
SCALE 3:1

31.85	2293277-7
25	2293277-2
27	1-2293277-0
DIM. A	PART NUMBER



2293277-6



(3)

(11.4)

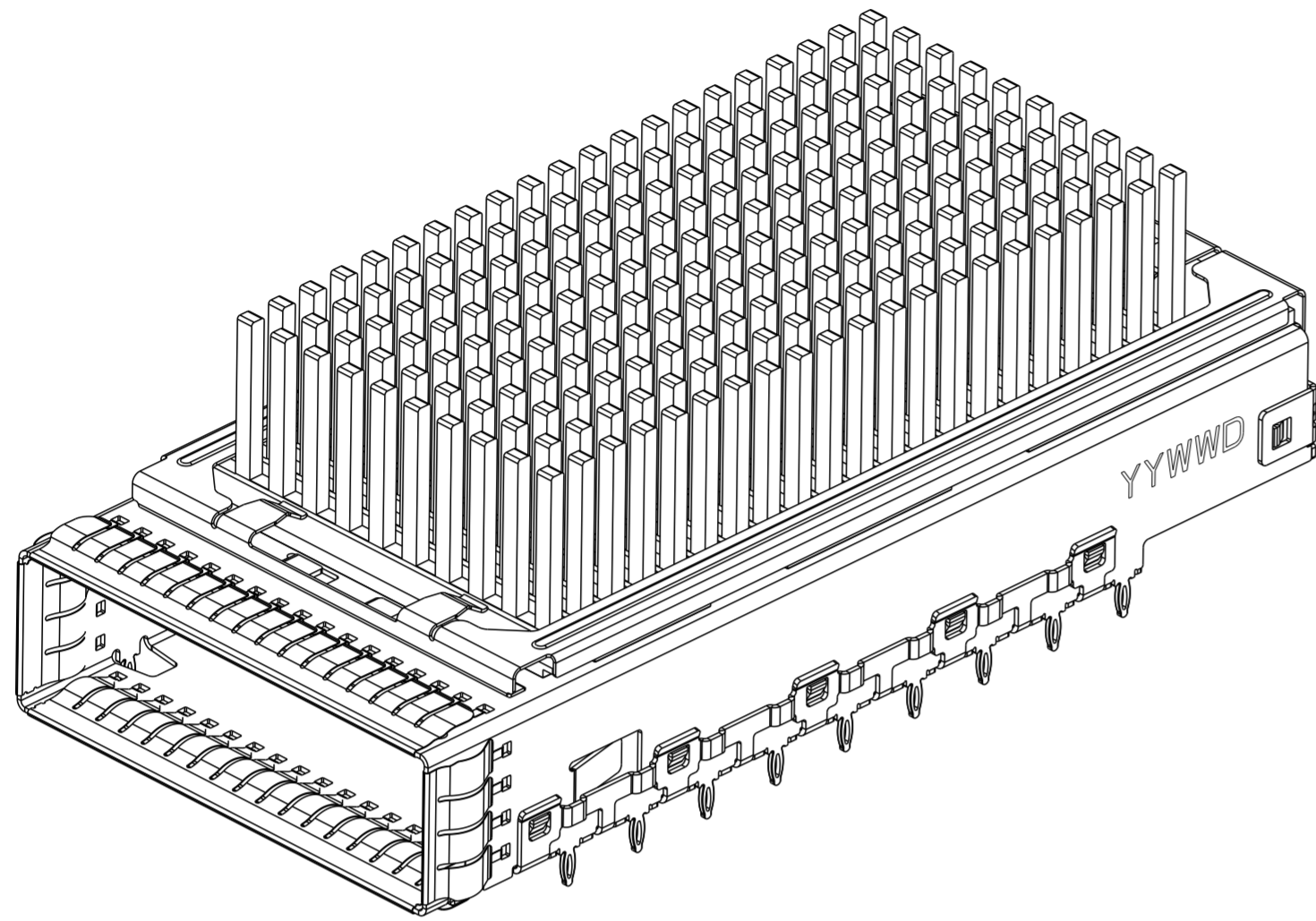
31.2MAX.
(AFTER MODULE
INSERTED)

2293277-6 AS SHOWN, UNSPECIFIED
DIMENSION SAME AS 2293277-1

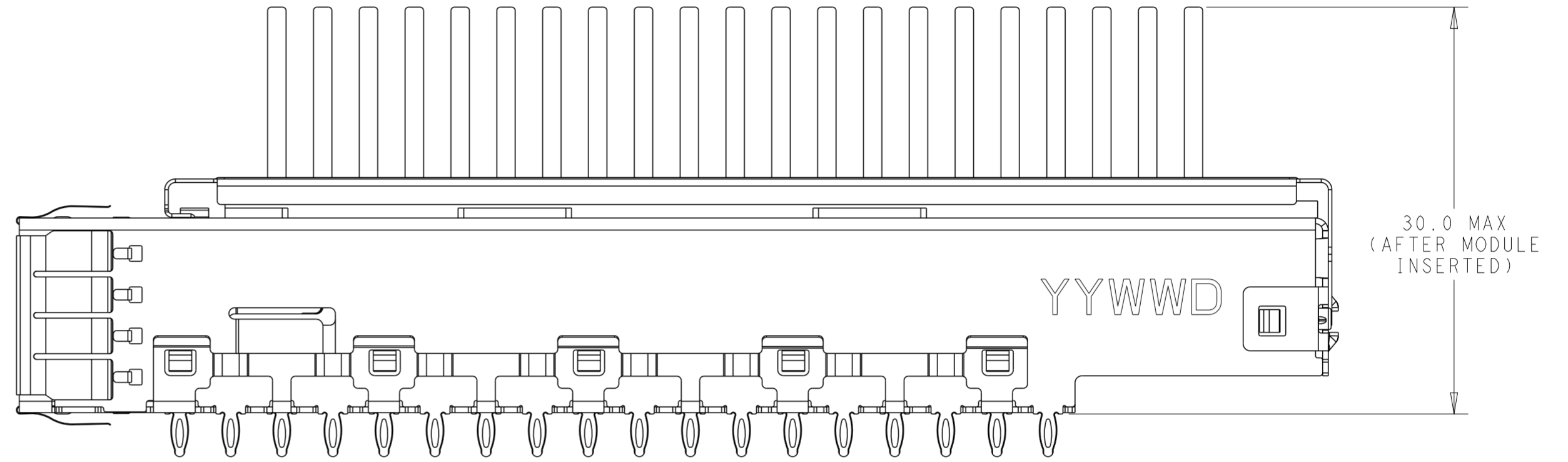
THIS DRAWING IS A CONTROLLED DOCUMENT.		DWN ANDY.XIE 17JUN2015	TE Connectivity		
DIMENSIONS: mm		CHK -			
TOLERANCES UNLESS OTHERWISE SPECIFIED: 0 PLC ± 1 PLC ±0.25 2 PLC ±0.20 3 PLC ±0.1 4 PLC ±0.05 ANGLES ±1 FINISH		APVD SEAN.HAN 17JUN2015	NAME HARD WARE KIT FOR CFP2 1X1 PRESS FIT (CAGE, HS, HS CLIP, COVER, SCREW)		
MATERIAL SEE NOTES		PRODUCT SPEC 108-32103	SIZE A2	CAGE CODE -	DRAWING NO. C-2274842
FINISH -		APPLICATION SPEC 114-32146	RESTRICTED TO -	SCALE 1:1	SHEET 3 OF 13
-		WEIGHT -	CUSTOMER DRAWING	REV B1	

THIS DRAWING IS UNPUBLISHED. RELEASED FOR PUBLICATION 20
 © COPYRIGHT 20 BY - ALL RIGHTS RESERVED.


REVISIONS				
P	LTR	DESCRIPTION	DATE	APVD
-	-	SEE SHEET 1	-	-



2293277-8 AS SHOWN

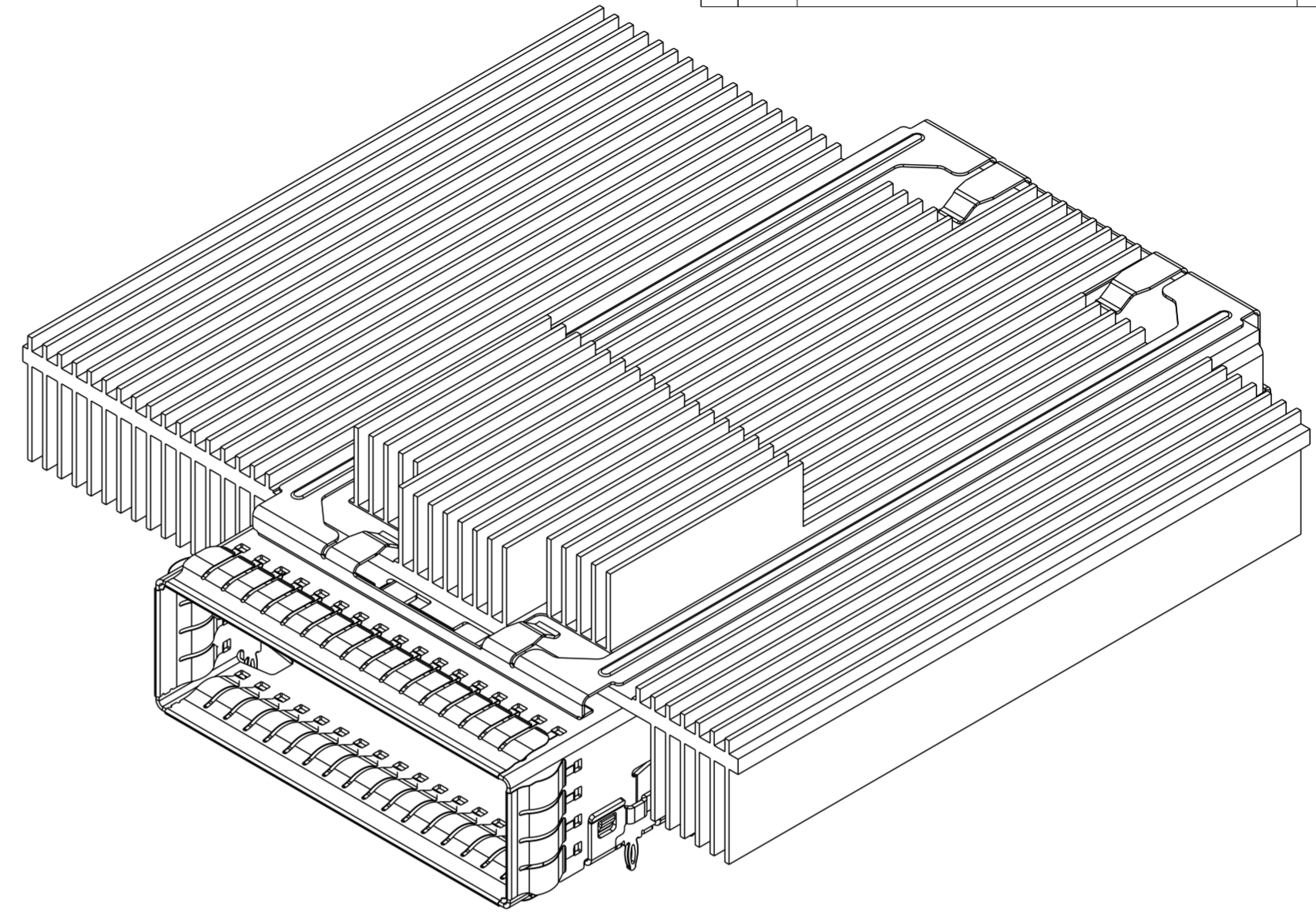
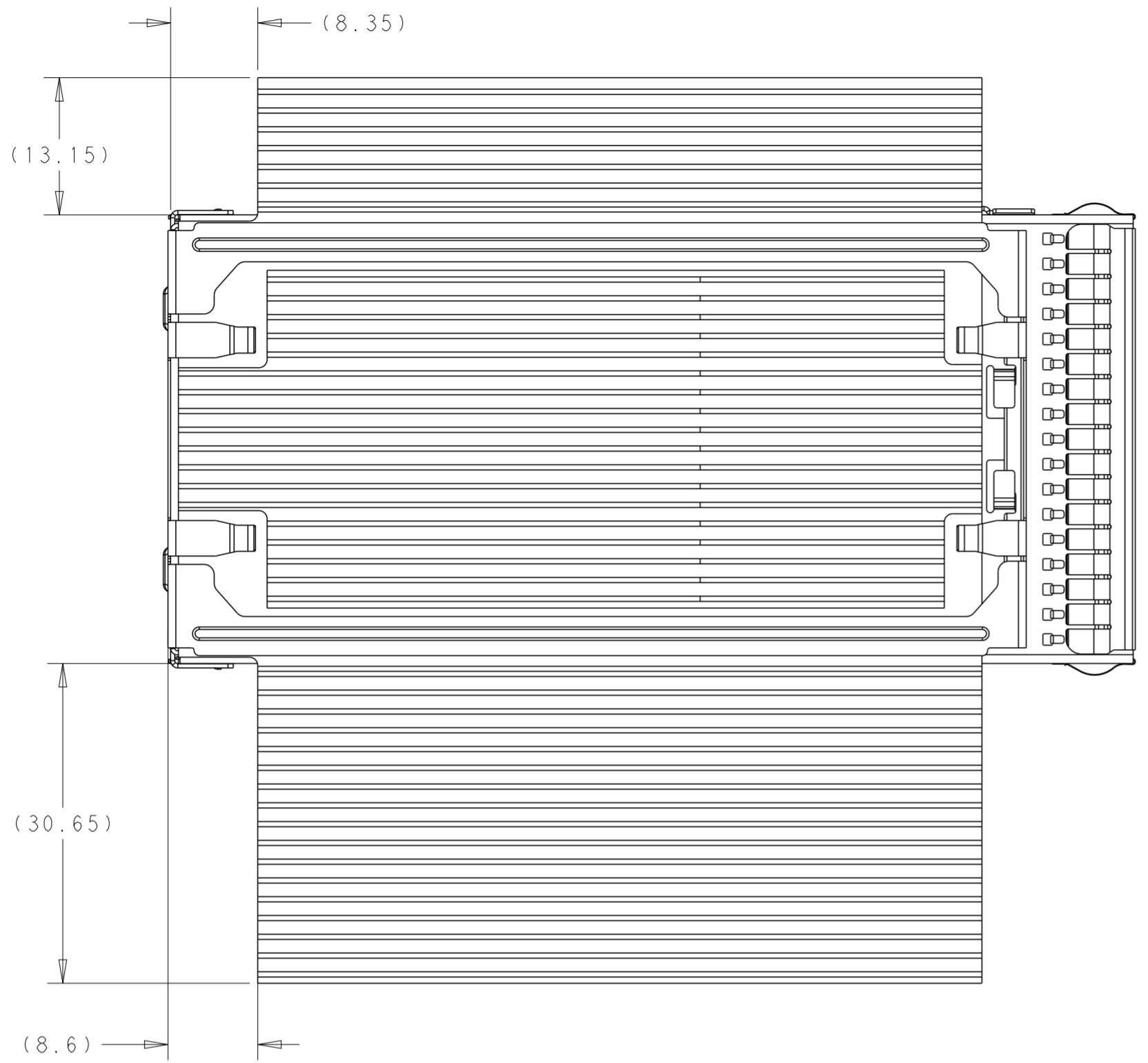


SCALE 3:1

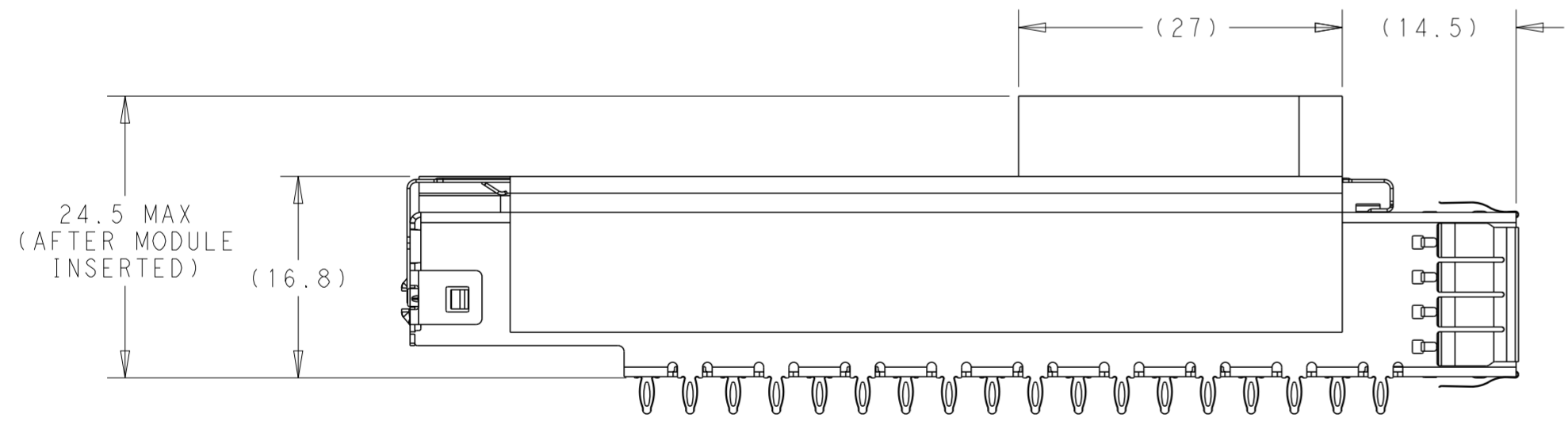
THIS DRAWING IS A CONTROLLED DOCUMENT.		DWN ANDY.XIE 17JUN2015	 TE Connectivity	
DIMENSIONS: mm		CHK -		
TOLERANCES UNLESS OTHERWISE SPECIFIED:		APVD SEAN.HAN 17JUN2015	NAME HARD WARE KIT FOR CFP2 1X1 PRESS FIT (CAGE, HS, HS CLIP, COVER, SCREW)	
0 PLC ±		PRODUCT SPEC 108-32103	SIZE A2	CAGE CODE -
1 PLC ±0.25		APPLICATION SPEC 114-32146	DRAWING NO C-2274842	RESTRICTED TO -
2 PLC ±0.20		WEIGHT -	SCALE 1:1	SHEET 4 OF 13
3 PLC ±0.1		CUSTOMER DRAWING	REV B1	
4 PLC ±0.05				
ANGLES ±1				
FINISH				
MATERIAL SEE NOTES	FINISH SEE NOTES			

THIS DRAWING IS UNPUBLISHED. RELEASED FOR PUBLICATION 20
 © COPYRIGHT 20 BY - ALL RIGHTS RESERVED.

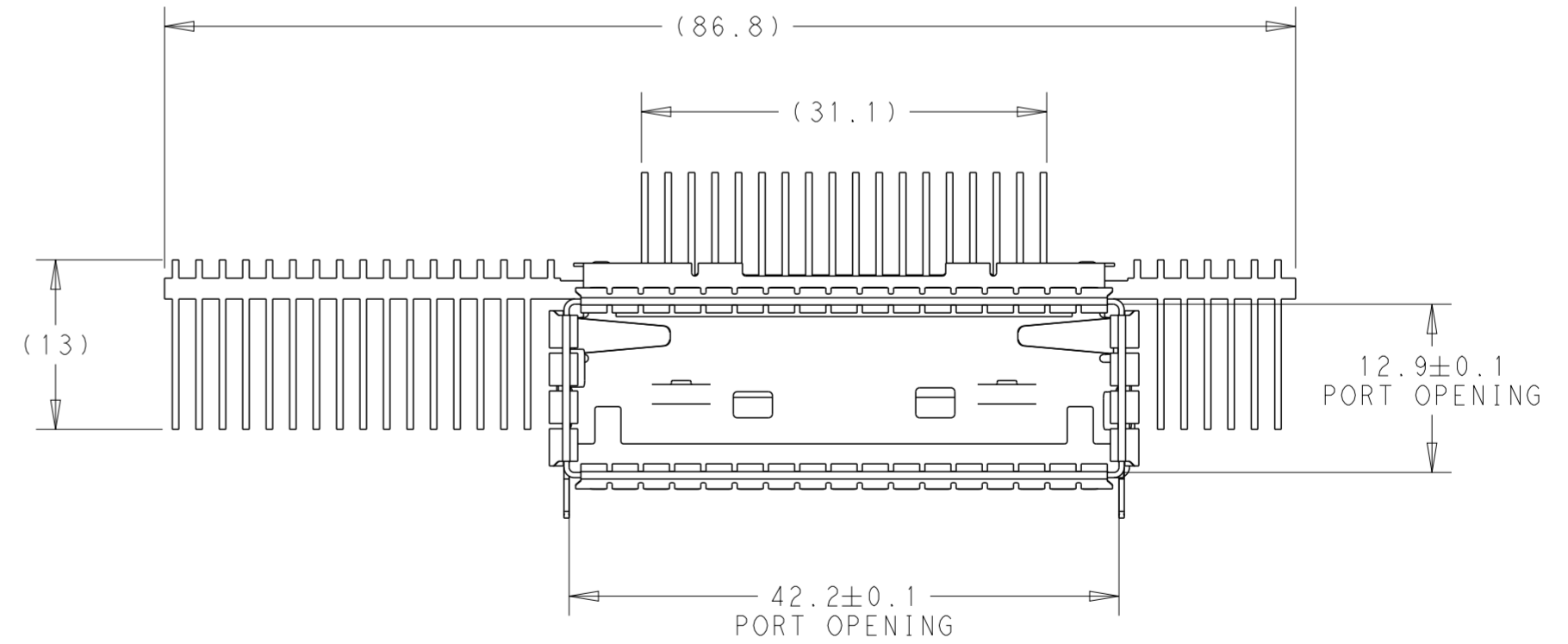
REVISIONS				
P	LTR	DESCRIPTION	DATE	APVD
-	-	SEE SHEET 1	-	-




2293277-9 3D VIEW
SCALE 2:1



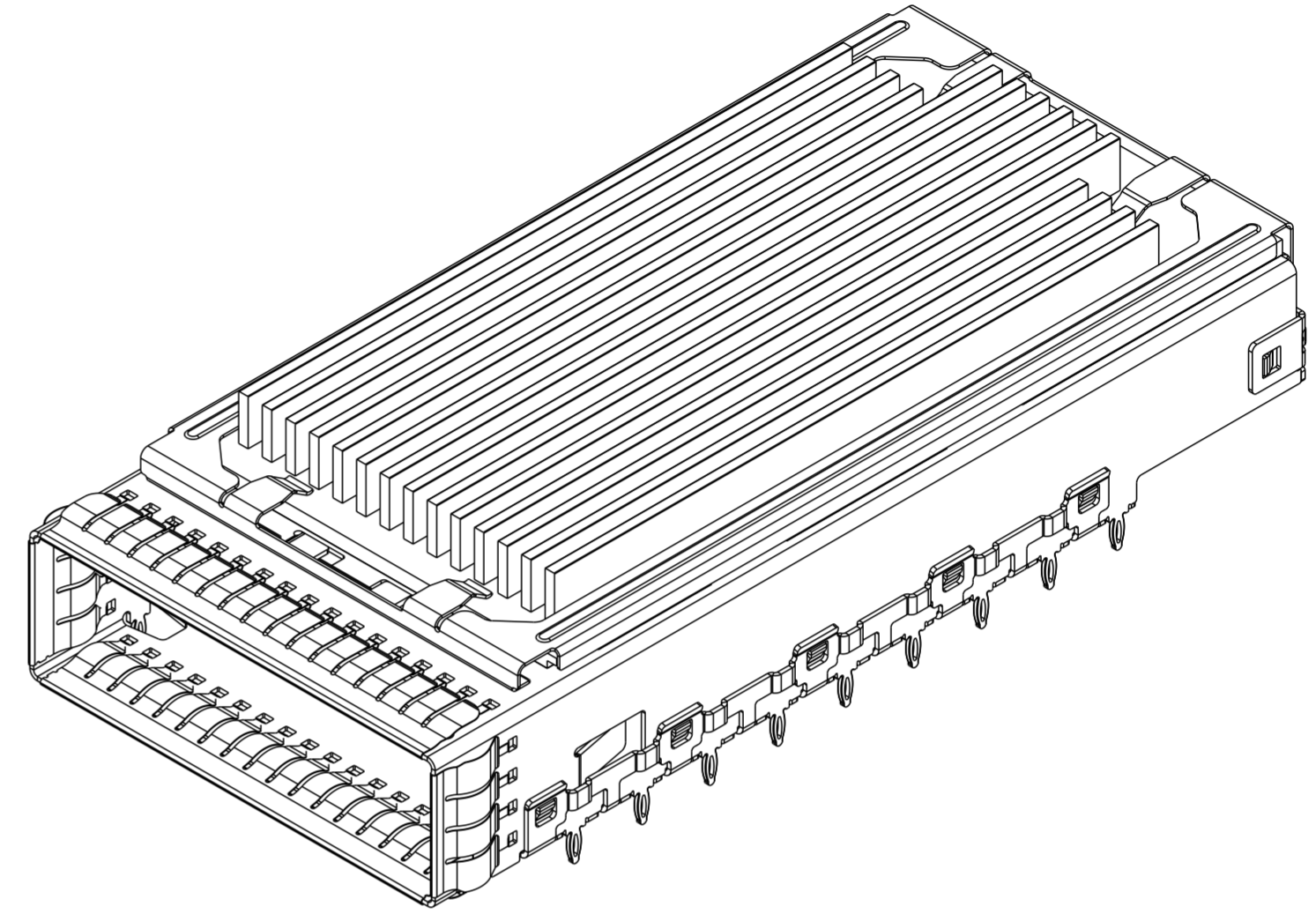
2293277-9 AS SHOWN



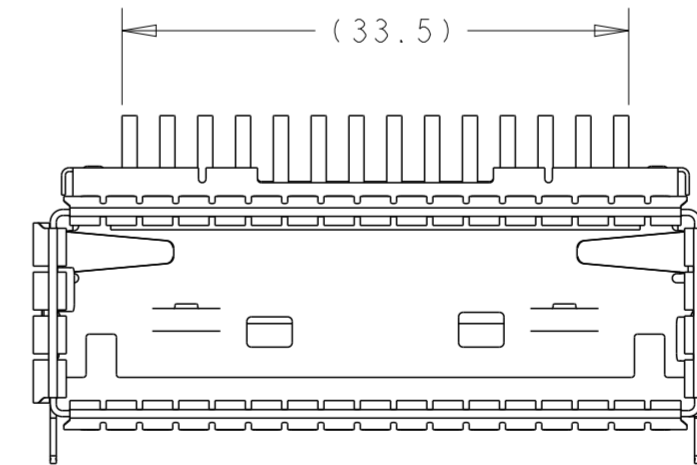
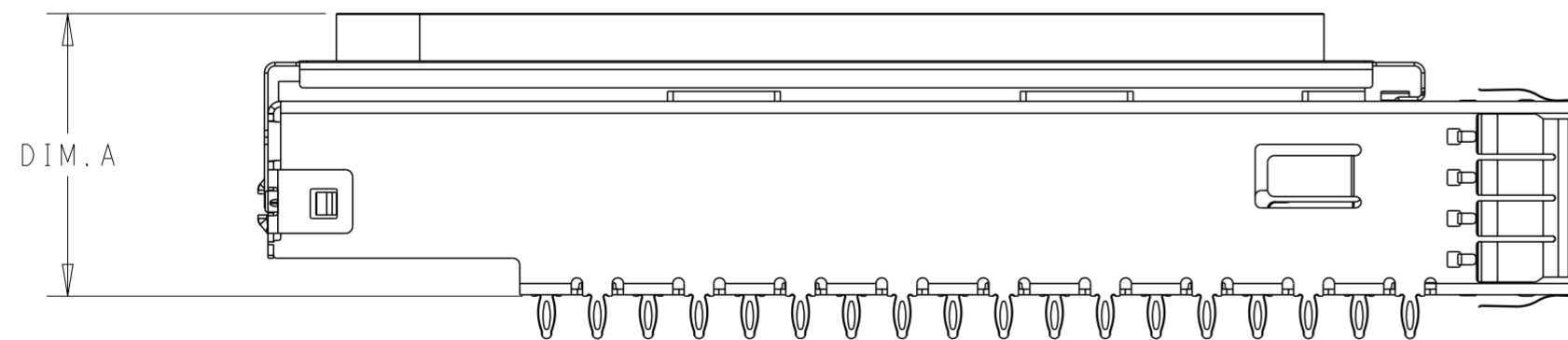
THIS DRAWING IS A CONTROLLED DOCUMENT.		DWN ANDY.XIE 17JUN2015	 TE Connectivity	
DIMENSIONS: mm		CHK -		
TOLERANCES UNLESS OTHERWISE SPECIFIED:		APVD SEAN.HAN 17JUN2015	NAME HARD WARE KIT FOR CFP2 1X1 PRESS FIT (CAGE, HS, HS CLIP, COVER, SCREW)	
0 PLC ± 1 PLC ±0.25 2 PLC ±0.20 3 PLC ±0.1 4 PLC ±0.05		PRODUCT SPEC 108-32103	SIZE A2	CAGE CODE -
MATERIAL SEE NOTES		APPLICATION SPEC 114-32146	DRAWING NO C-2274842	RESTRICTED TO -
FINISH SEE NOTES		WEIGHT -	SCALE 1:1	SHEET 5 OF 13
		CUSTOMER DRAWING	REV B1	

THIS DRAWING IS UNPUBLISHED. RELEASED FOR PUBLICATION 20
 © COPYRIGHT 20 BY - ALL RIGHTS RESERVED.

REVISIONS				
P	LTR	DESCRIPTION	DATE	APVD
-	-	SEE SHEET 1	-	-




1-2293277-1 3D VIEW
SCALE 2:1



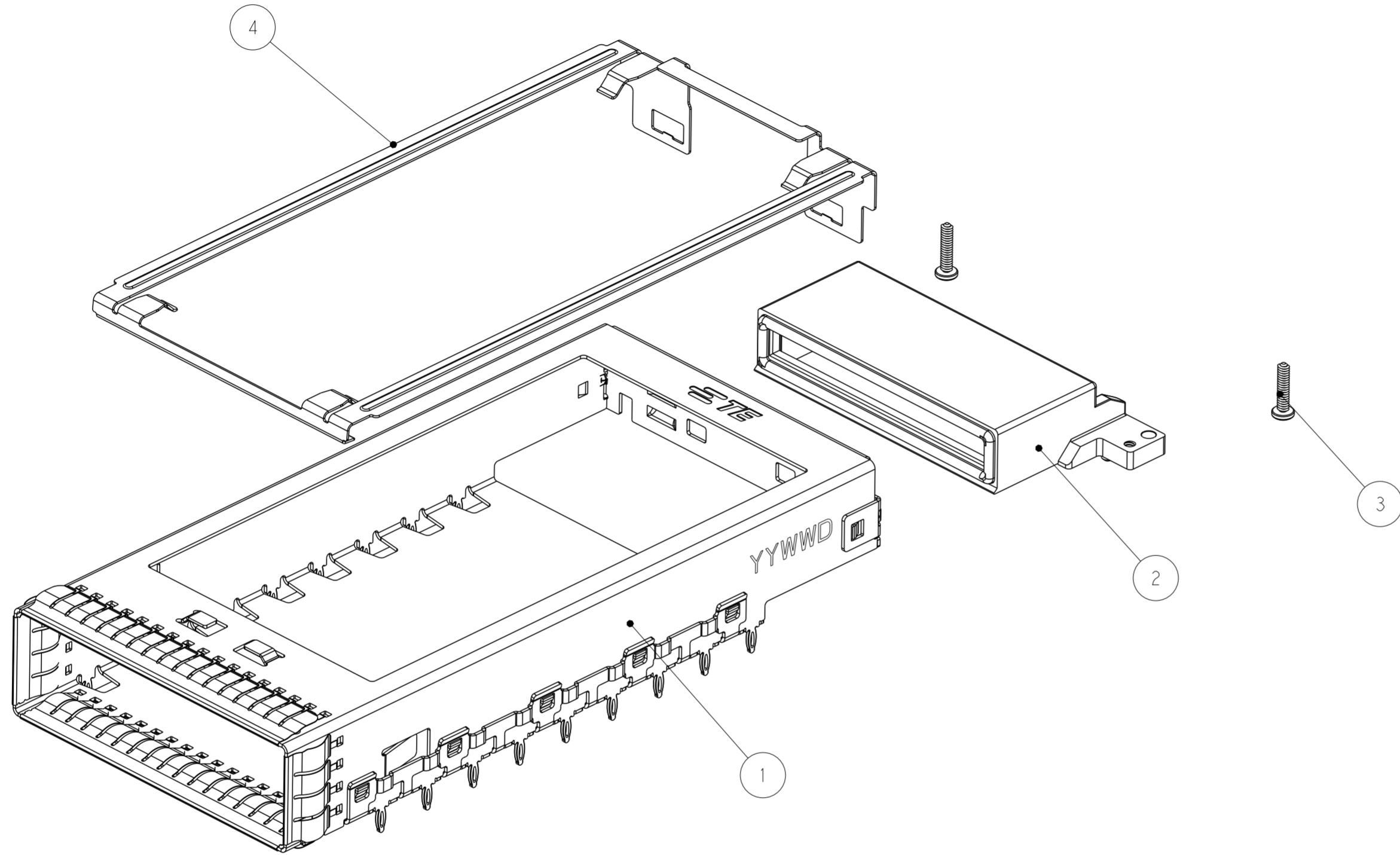
1-2293277-1 AS SHOWN

AFTER MODULE INSERTED	21.35 MAX.
BEFORE MODULE INSERTED	20.00±0.25
DESCRIPTION	DIM. A

THIS DRAWING IS A CONTROLLED DOCUMENT.		DWN ANDY.XIE 17JUN2015	 TE Connectivity		
DIMENSIONS: mm		CHK -			
TOLERANCES UNLESS OTHERWISE SPECIFIED: 0 PLC ± 1 PLC ±0.25 2 PLC ±0.20 3 PLC ±0.1 4 PLC ±0.05 ANGLES ±1 FINISH		APVD SEAN.HAN 17JUN2015	NAME HARD WARE KIT FOR CFP2 1X1 PRESS FIT (CAGE, HS, HS CLIP, COVER, SCREW)		
MATERIAL SEE NOTES		PRODUCT SPEC 108-32103	SIZE A2	CAGE CODE -	DRAWING NO G-2274842
FINISH SEE NOTES		APPLICATION SPEC 114-32146	RESTRICTED TO -	SCALE 1:1 SHEET 6 OF 13 REV B1	
-		WEIGHT -	CUSTOMER DRAWING		


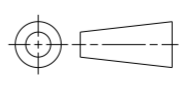
THIS DRAWING IS UNPUBLISHED. RELEASED FOR PUBLICATION 20
 © COPYRIGHT 20 BY - ALL RIGHTS RESERVED.

REVISIONS				
P	LTR	DESCRIPTION	DATE	APVD
-	-	SEE SHEET 1	-	-



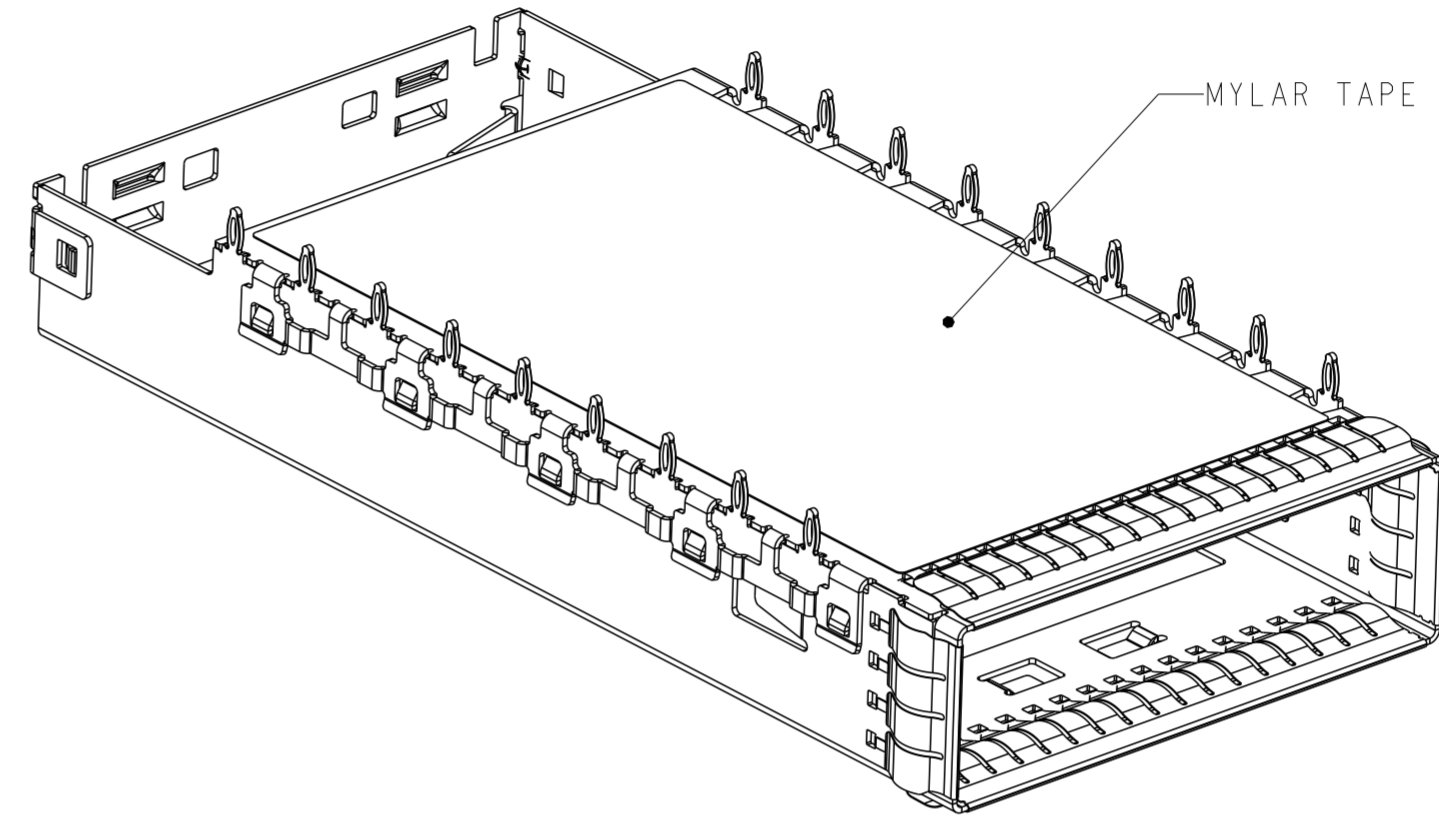
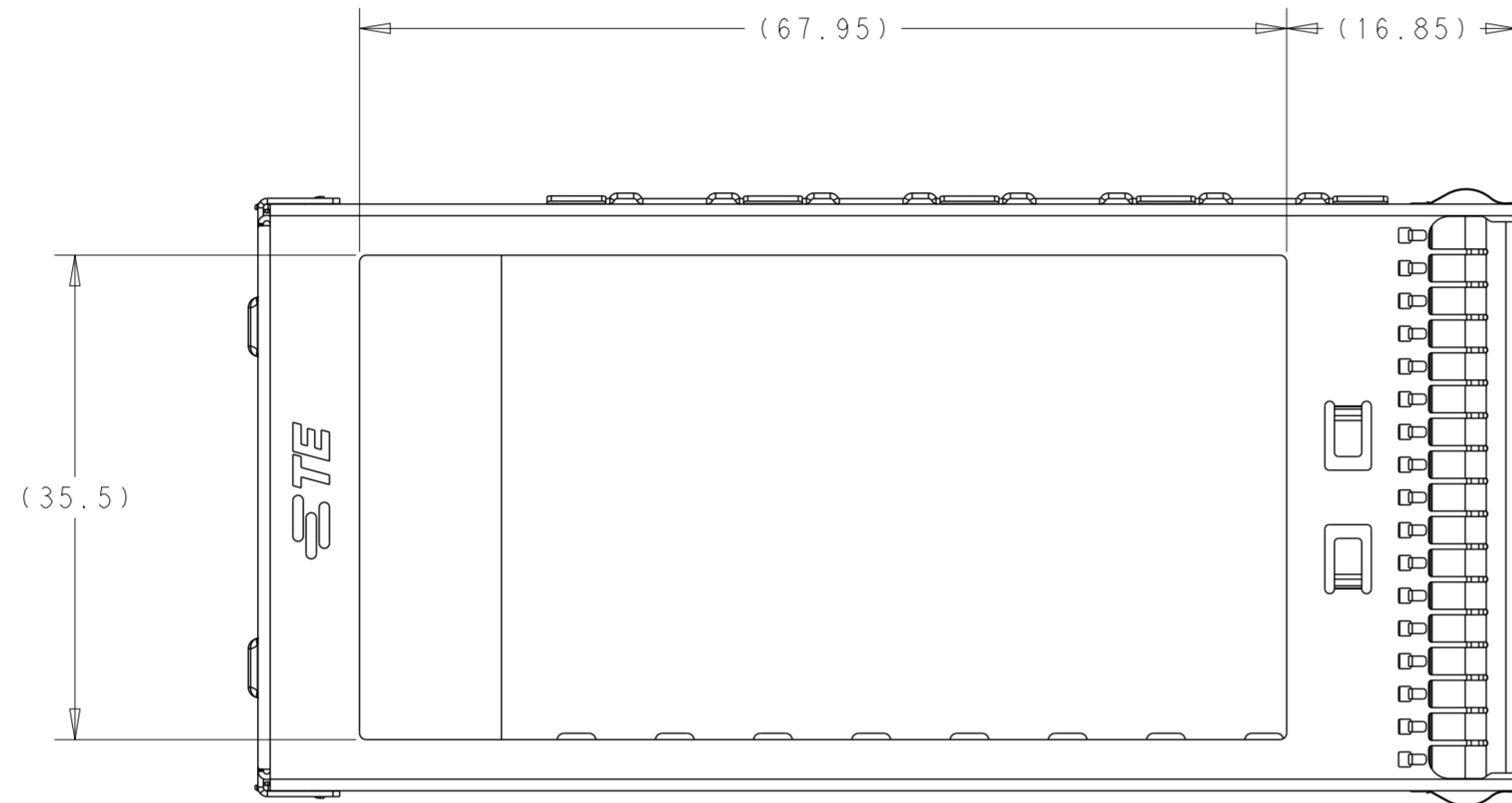
SCALE 2:1

1-2274842-1 AS SHOWN

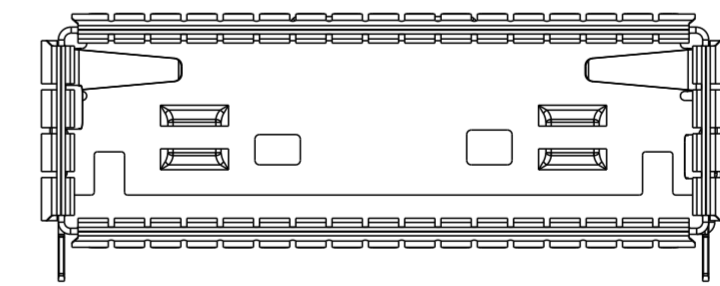
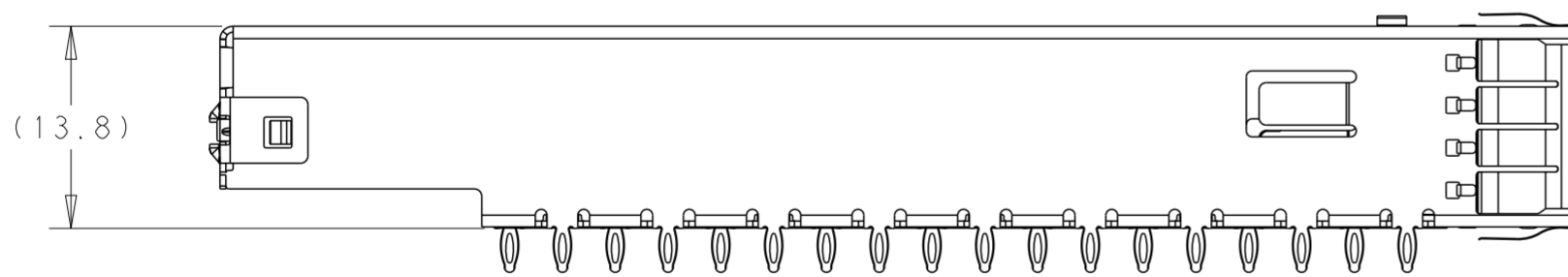
THIS DRAWING IS A CONTROLLED DOCUMENT.		DWN ANDY.XIE 17JUN2015	 TE Connectivity	
DIMENSIONS: mm		CHK -		
TOLERANCES UNLESS OTHERWISE SPECIFIED:		APVD SEAN.HAN 17JUN2015	NAME HARD WARE KIT FOR CFP2 1X1 PRESS FIT (CAGE, HS, HS CLIP, COVER, SCREW)	
		PRODUCT SPEC 108-32103	RESTRICTED TO	
MATERIAL SEE NOTES		APPLICATION SPEC 114-32146	SIZE A2	CAGE CODE -
FINISH SEE NOTES		WEIGHT -	DRAWING NO C-2274842	SCALE 1:1
		CUSTOMER DRAWING	SHEET 7 OF 13	REV B1

THIS DRAWING IS UNPUBLISHED. RELEASED FOR PUBLICATION 20
 © COPYRIGHT 20 BY - ALL RIGHTS RESERVED.

REVISIONS				
P	LTR	DESCRIPTION	DATE	APVD
-		SEE SHEET 1	-	-



2274843-3 3D VIEW
SCALE 2:1

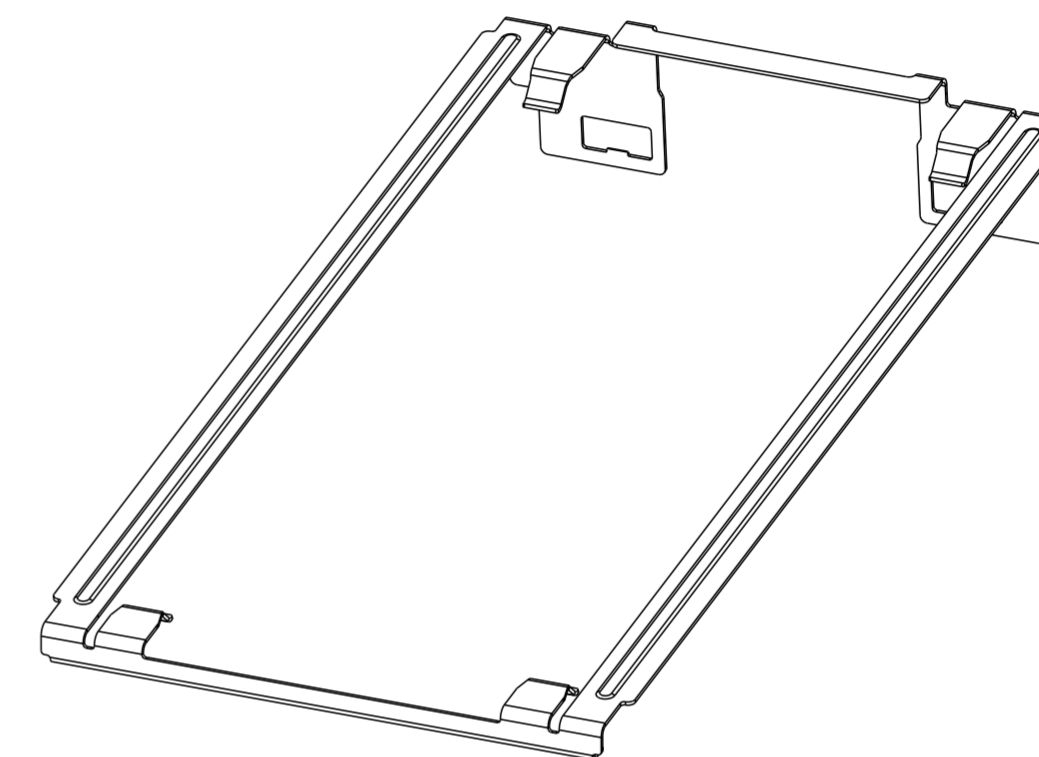
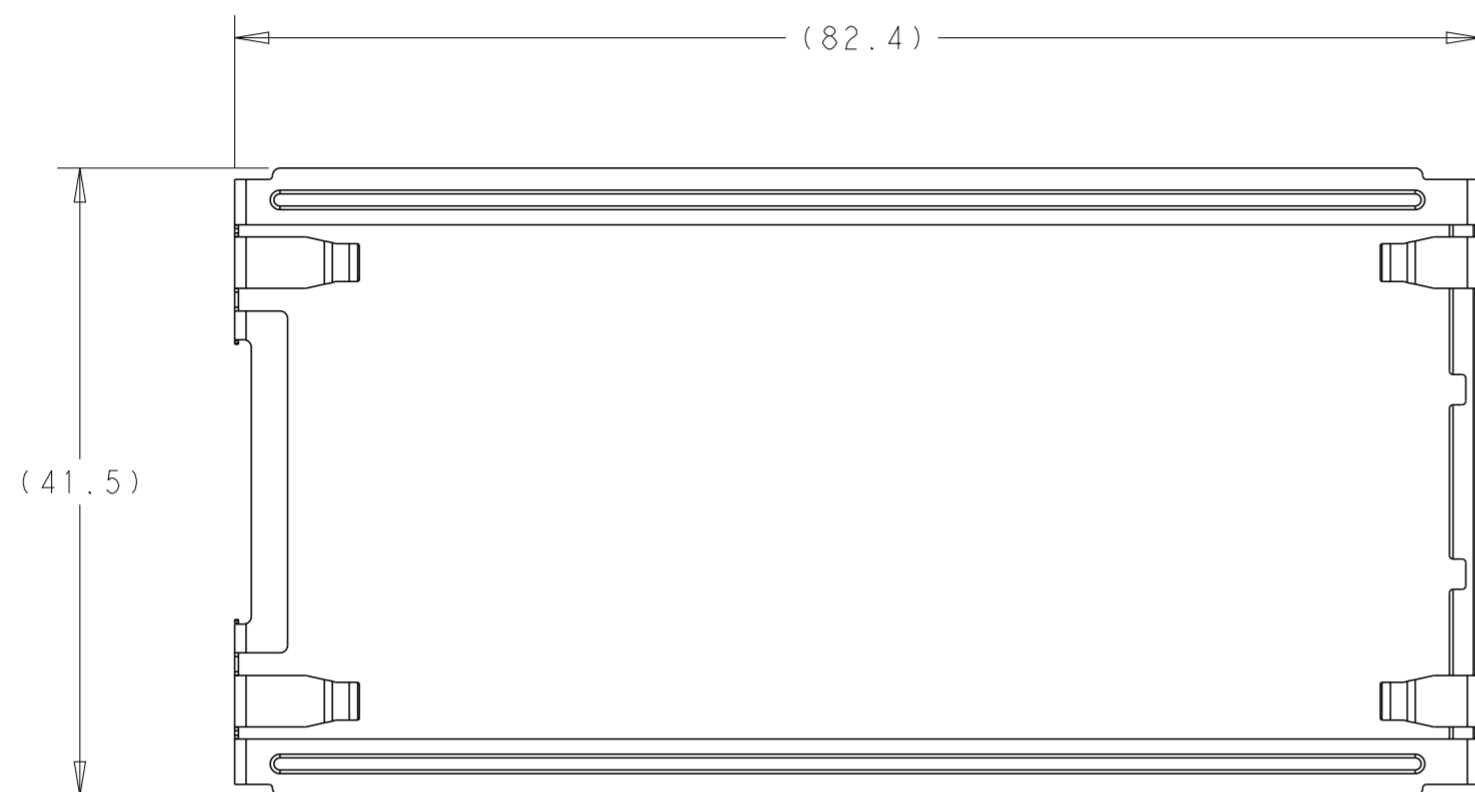


2274843-3 AS SHOWN

THIS DRAWING IS A CONTROLLED DOCUMENT.		DWN ANDY.XIE 17JUN2015	TE Connectivity	
DIMENSIONS: mm		CHK -		
TOLERANCES UNLESS OTHERWISE SPECIFIED:		APVD SEAN.HAN 17JUN2015	NAME HARD WARE KIT FOR CFP2 1X1 PRESS FIT (CAGE, HS, HS CLIP, COVER, SCREW)	
0 PLC ± 1 PLC ±0.25 2 PLC ±0.20 3 PLC ±0.1 4 PLC ±0.05		PRODUCT SPEC 108-32103	SIZE A2	CAGE CODE -
MATERIAL SEE NOTES		APPLICATION SPEC 114-32146	DRAWING NO C-2274842	RESTRICTED TO -
FINISH SEE NOTES		WEIGHT -	SCALE 1:1	SHEET 8 OF 13
		CUSTOMER DRAWING	REV B1	

THIS DRAWING IS UNPUBLISHED. RELEASED FOR PUBLICATION 20
 © COPYRIGHT 20 BY - ALL RIGHTS RESERVED.

REVISIONS				
P	LTR	DESCRIPTION	DATE	APVD
-		SEE SHEET 1	-	-



1-2288220-3 3D VIEW
SCALE 2:1



SCALE 2:1

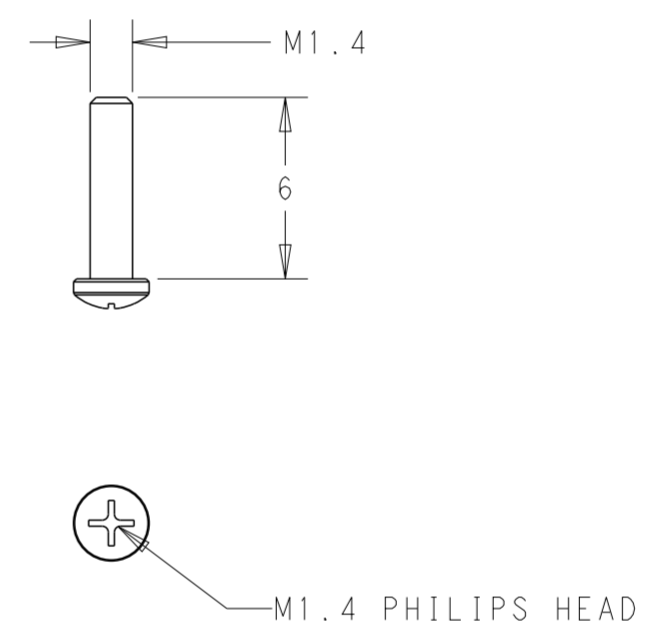
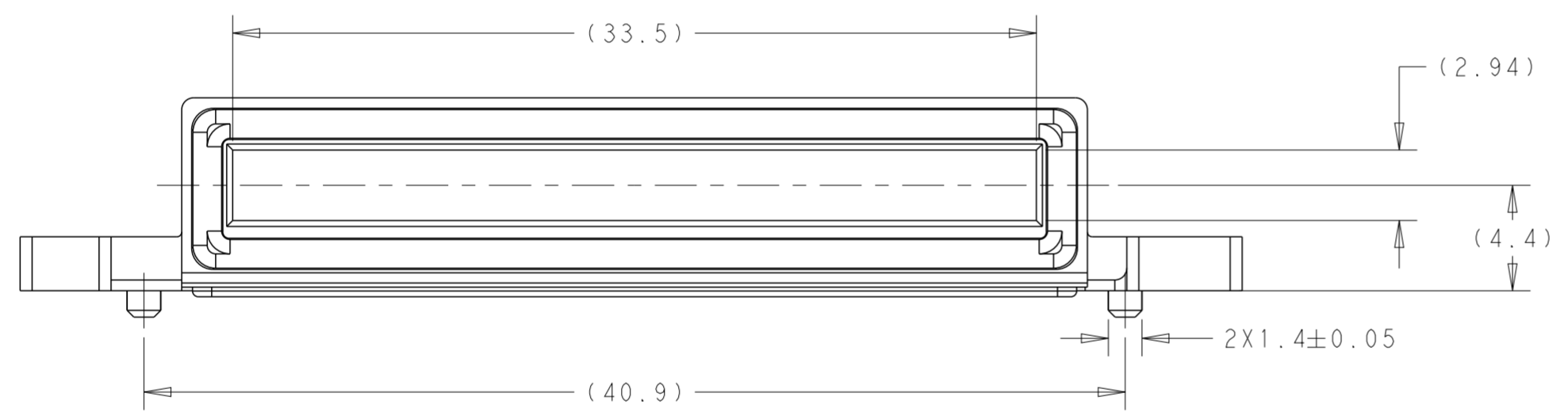
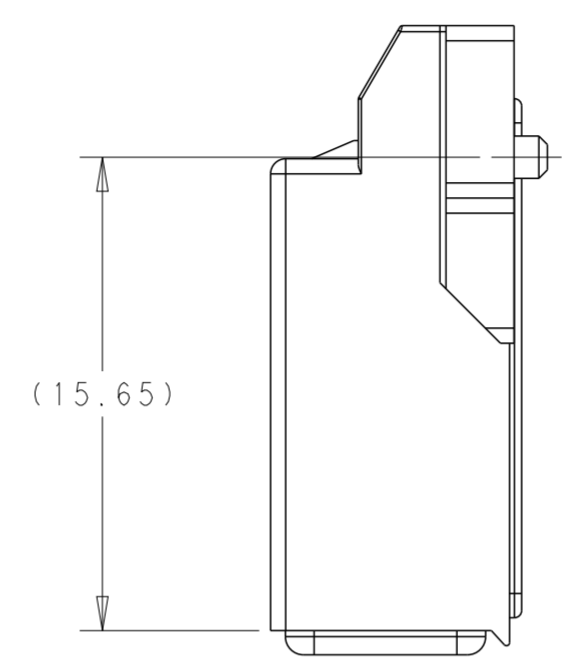
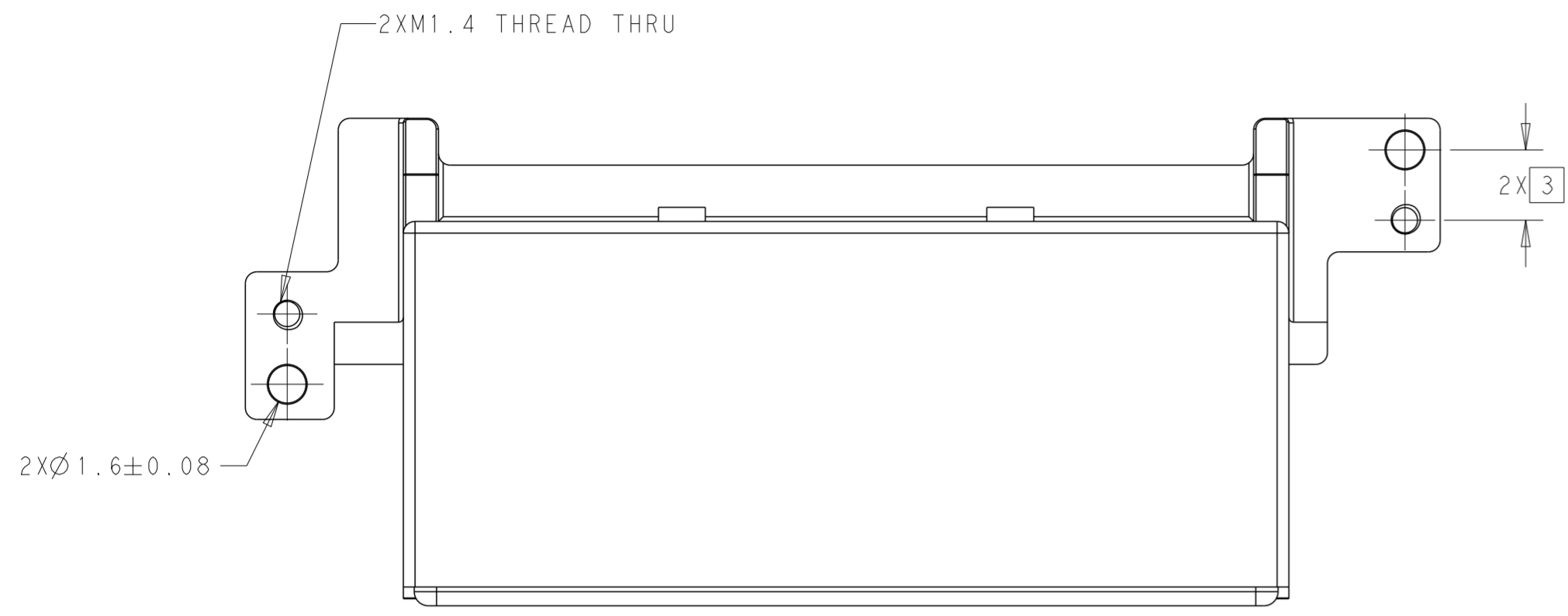


1-2288220-3 AS SHOWN

THIS DRAWING IS A CONTROLLED DOCUMENT.		DWN ANDY.XIE 17JUN2015	TE Connectivity	
DIMENSIONS: mm		CHK -		
TOLERANCES UNLESS OTHERWISE SPECIFIED:		APVD SEAN.HAN 17JUN2015	NAME HARD WARE KIT FOR CFP2 1X1 PRESS FIT (CAGE, HS, HS CLIP, COVER, SCREW)	
0 PLC ±		PRODUCT SPEC 108-32103	SIZE A2	CAGE CODE -
1 PLC ±0.25		APPLICATION SPEC 114-32146	DRAWING NO C-2274842	RESTRICTED TO -
2 PLC ±0.20		WEIGHT -	SCALE 1:1	SHEET 9 OF 13
3 PLC ±0.1		CUSTOMER DRAWING	REV B1	
4 PLC ±0.05				
ANGLES ±1				
FINISH SEE NOTES				

THIS DRAWING IS UNPUBLISHED. RELEASED FOR PUBLICATION 20
 © COPYRIGHT 20 BY - ALL RIGHTS RESERVED.

REVISIONS				
P	LTR	DESCRIPTION	DATE	APVD
-	-	SEE SHEET 1	-	-



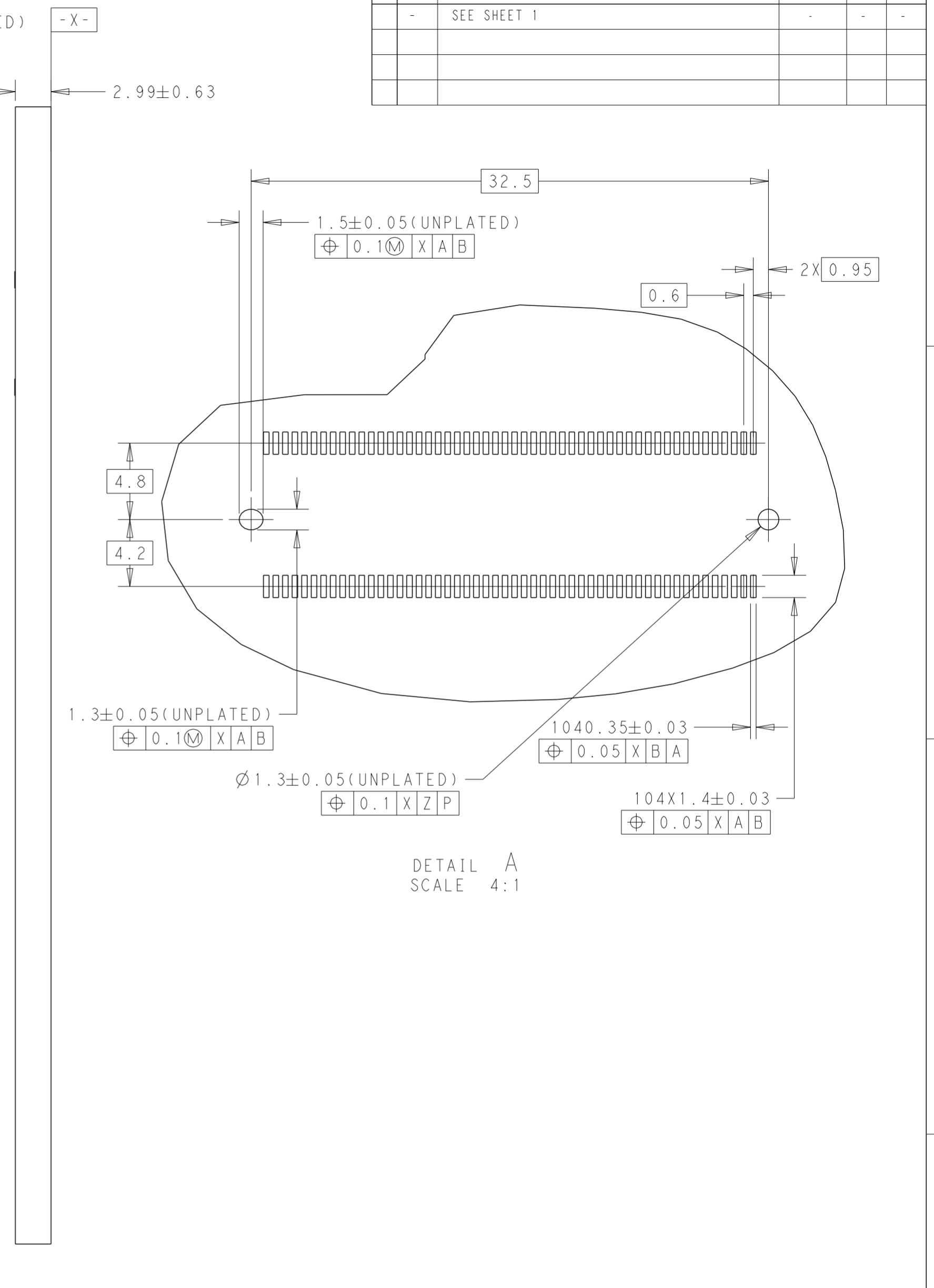
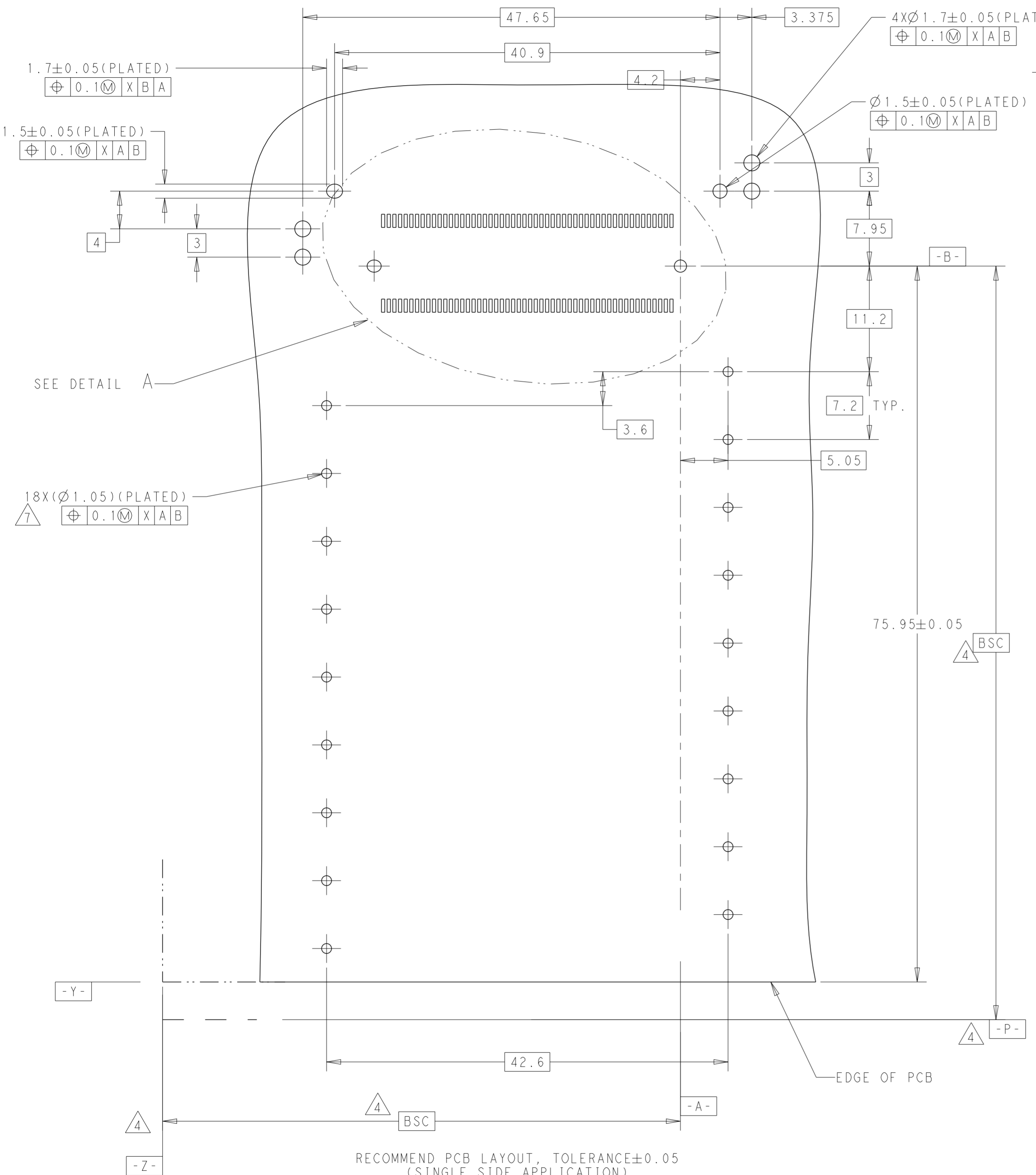
SCALE 4:1



THIS DRAWING IS A CONTROLLED DOCUMENT.		DWN ANDY.XIE 17JUN2015	TE Connectivity	
DIMENSIONS: mm		CHK -		
TOLERANCES UNLESS OTHERWISE SPECIFIED:		APVD SEAN.HAN 17JUN2015	NAME HARD WARE KIT FOR CFP2 1X1	
0 PLC ±		PRODUCT SPEC 108-32103	PRESS FIT	
1 PLC ±0.25		APPLICATION SPEC 114-32146	(CAGE, HS, HS CLIP, COVER, SCREW)	
2 PLC ±0.20		WEIGHT -	SIZE A2	CAGE CODE -
3 PLC ±0.1		CUSTOMER DRAWING	DRAWING NO C-2274842	
4 PLC ±0.05			SCALE 1:1	SHEET 10 OF 13
ANGLES ±1				
FINISH				
MATERIAL SEE NOTES				
SEE NOTES				

THIS DRAWING IS UNPUBLISHED. RELEASED FOR PUBLICATION 20
 © COPYRIGHT 20 BY - ALL RIGHTS RESERVED.

REVISIONS					
P	LTR	DESCRIPTION	DATE	DWN	APVD
-	-	SEE SHEET 1	-	-	-



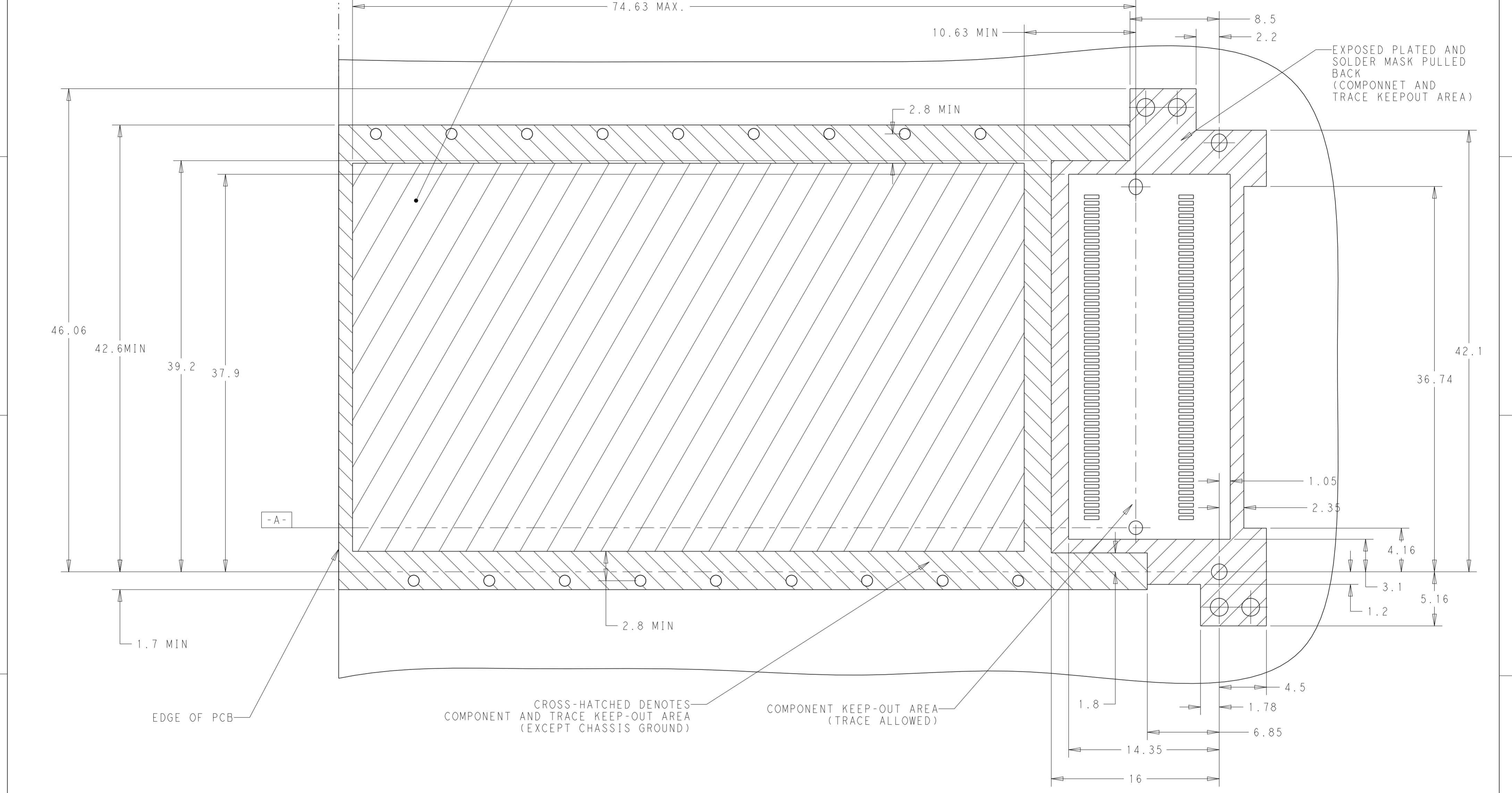
RECOMMEND PCB LAYOUT, TOLERANCE±0.05 (SINGLE SIDE APPLICATION)

THIS DRAWING IS A CONTROLLED DOCUMENT.		DWN ANDY.XIE 17JUN2015	TE Connectivity		
DIMENSIONS: mm		CHK -			
TOLERANCES UNLESS OTHERWISE SPECIFIED:		APVD SEAN.HAN 17JUN2015	NAME HARD WARE KIT FOR CFP2 1X1		
0 PLC ±		PRODUCT SPEC 108-32103	PRESS FIT (CAGE, HS, HS CLIP, COVER, SCREW)		
1 PLC ±0.25		APPLICATION SPEC 114-32146	SIZE A2	CAGE CODE -	DRAWING NO. C-2274842
2 PLC ±0.20		WEIGHT -	RESTRICTED TO -		
3 PLC ±0.1		CUSTOMER DRAWING	SCALE 1:1	SHEET 11 OF 13	REV B1
4 PLC ±0.05					
ANGLES ±1					
FINISH SEE NOTES					

THIS DRAWING IS UNPUBLISHED. RELEASED FOR PUBLICATION 20
 © COPYRIGHT 20 BY - ALL RIGHTS RESERVED.

REVISIONS				
P	LTR	DESCRIPTION	DATE	APVD
-		SEE SHEET 1	-	-

CROSS-HATCHED DENOTES COMPONENT AND TRACE KEEP-OUT AREA (EXCEPT CHASSIS GROUND) FOR NON-MAYLARTAPE APPLICATION. COMPONENTS AND TRACES ARE ONLY ALLOWED FOR APPLICATION WITH MYLAR TAPE



EDGE OF PCB

CROSS-HATCHED DENOTES COMPONENT AND TRACE KEEP-OUT AREA (EXCEPT CHASSIS GROUND)

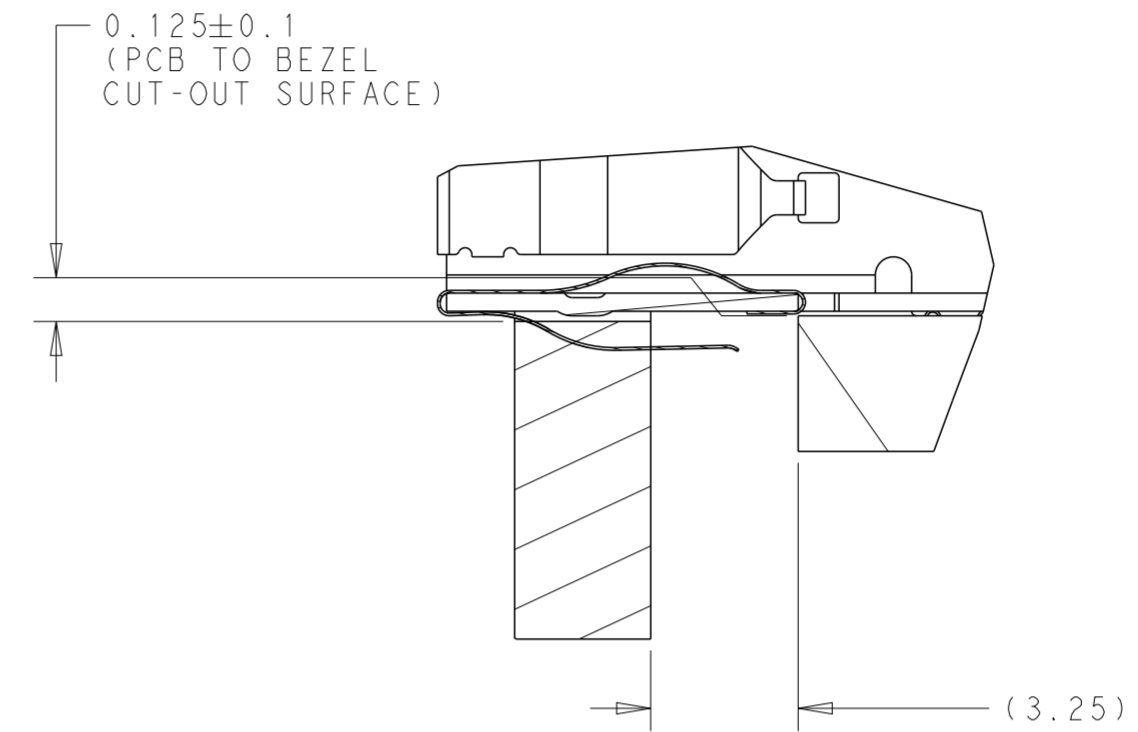
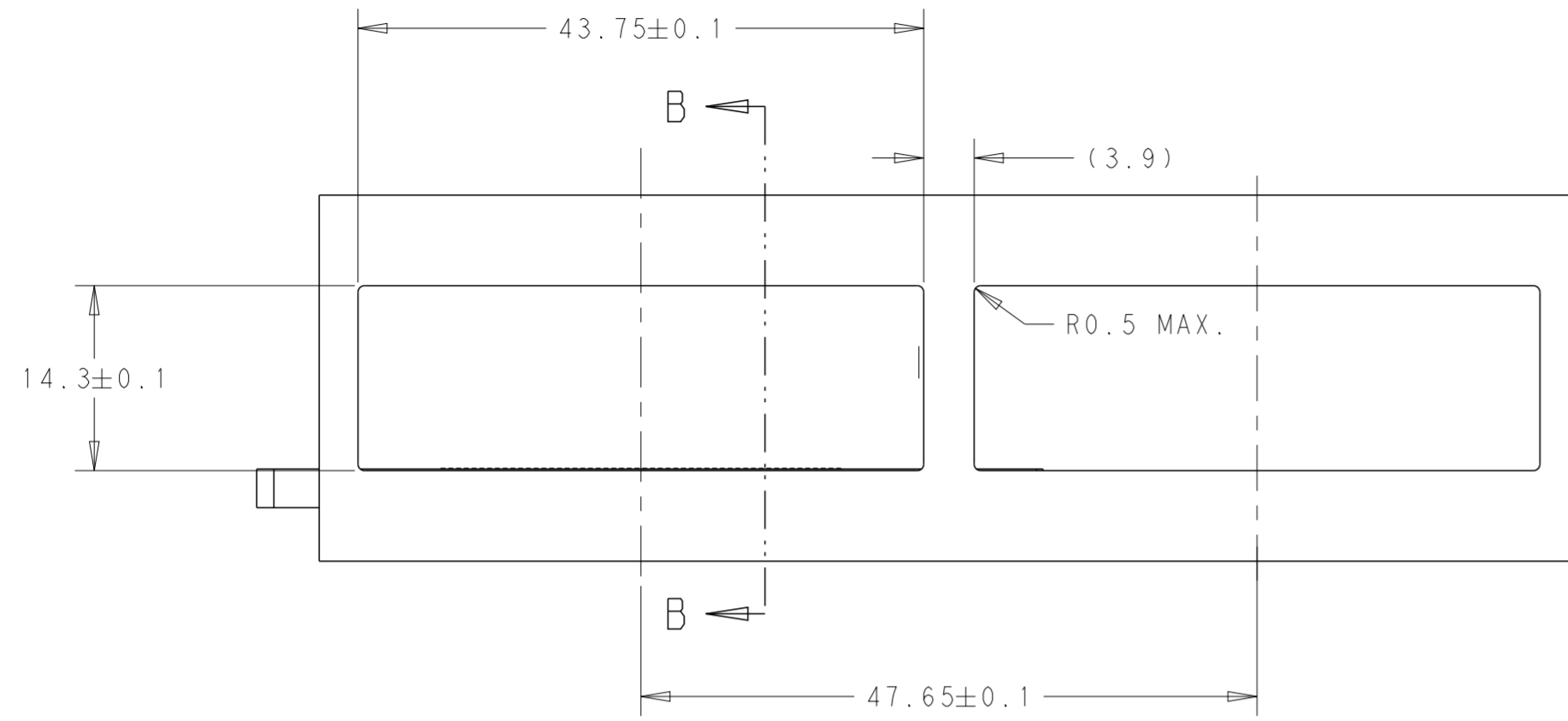
COMPONENT KEEP-OUT AREA (TRACE ALLOWED)

EXPOSED PLATED AND SOLDER MASK PULLED BACK (COMPONENT AND TRACE KEEPOUT AREA)

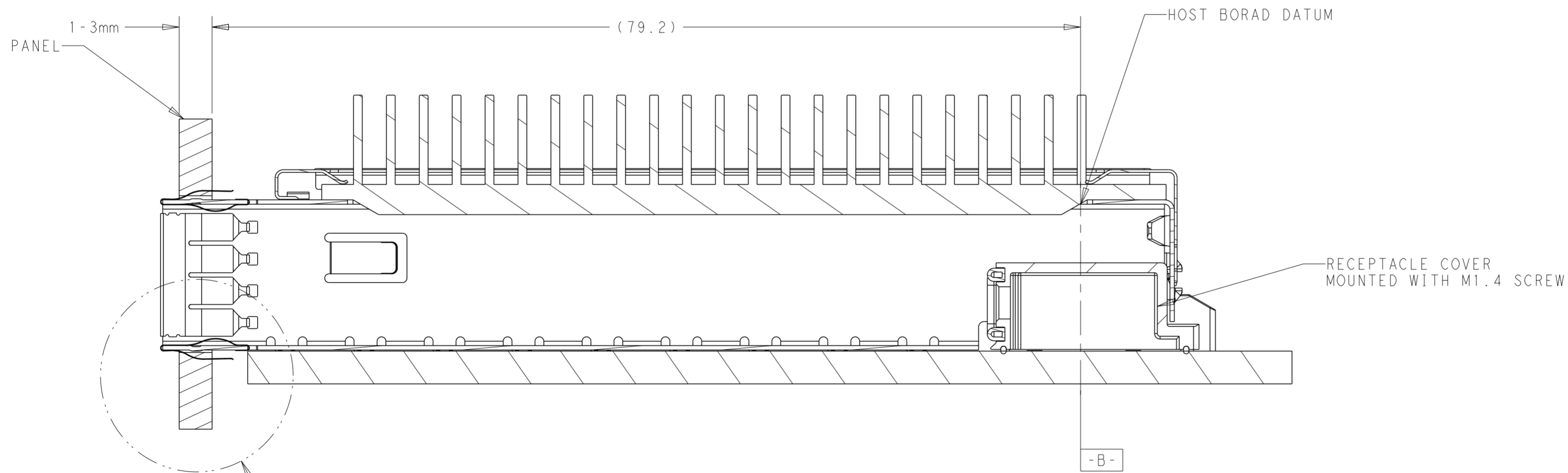
THIS DRAWING IS A CONTROLLED DOCUMENT.		DWN ANDY.XIE CHK -	17JUN2015	TE Connectivity	
DIMENSIONS: mm 		APVD SEAN.HAN PRODUCT SPEC	17JUN2015		
TOLERANCES UNLESS OTHERWISE SPECIFIED: 0 PLC ± 1 PLC ±0.25 2 PLC ±0.20 3 PLC ±0.1 4 PLC ±0.05 ANGLES ±1 FINISH SEE NOTES		108-32103 APPLICATION SPEC	114-32146	SIZE A2	RESTRICTED TO -
MATERIAL SEE NOTES		WEIGHT -	CUSTOMER DRAWING	SCALE 1:1	SHEET 12 OF 13
				REV B1	

THIS DRAWING IS UNPUBLISHED. RELEASED FOR PUBLICATION 20
 © COPYRIGHT 20 BY - ALL RIGHTS RESERVED.

REVISIONS				
P	LTR	DESCRIPTION	DATE	APVD
-	-	SEE SHEET 1	-	-



DETAIL B
SCALE 6:1



SECTION B-B
SCALE 3:1

SEE DETAIL B

THIS DRAWING IS A CONTROLLED DOCUMENT.		DWN ANDY.XIE 17JUN2015	STE TE Connectivity	
DIMENSIONS: mm		CHK -		
TOLERANCES UNLESS OTHERWISE SPECIFIED:		APVD SEAN.HAN 17JUN2015	NAME HARD WARE KIT FOR CFP2 1X1	
0 PLC ±		PRODUCT SPEC 108-32103	PRESS FIT	
1 PLC ±0.25		APPLICATION SPEC 114-32146	(CAGE, HS, HS CLIP, COVER, SCREW)	
2 PLC ±0.20		WEIGHT -	SIZE A2	CAGE CODE -
3 PLC ±0.1		CUSTOMER DRAWING	DRAWING NO. C-2274842	RESTRICTED TO -
4 PLC ±0.05		SCALE 1:1	SHEET 13 OF 13	REV B1
ANGLES ±1				
FINISH				
MATERIAL SEE NOTES				
SEE NOTES				