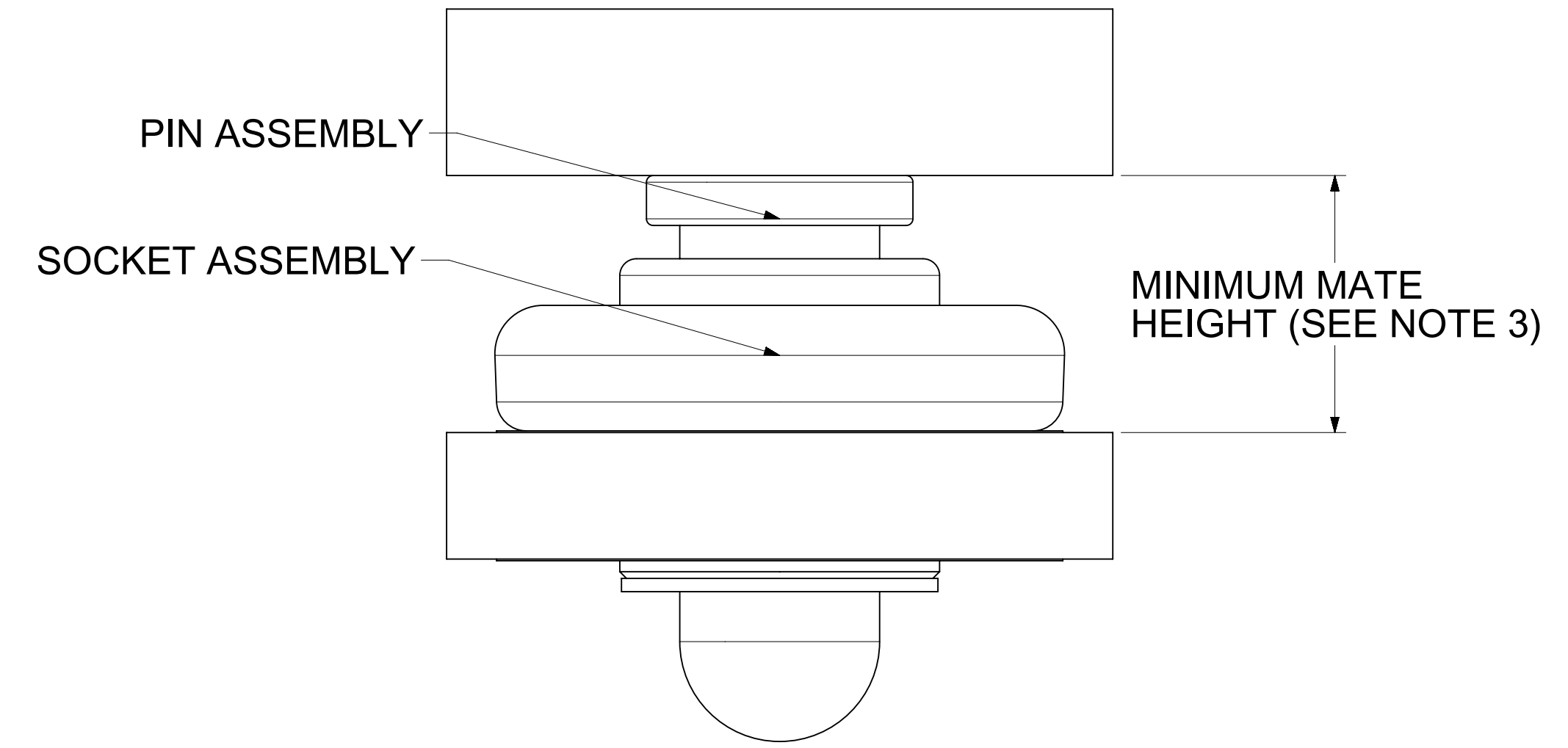
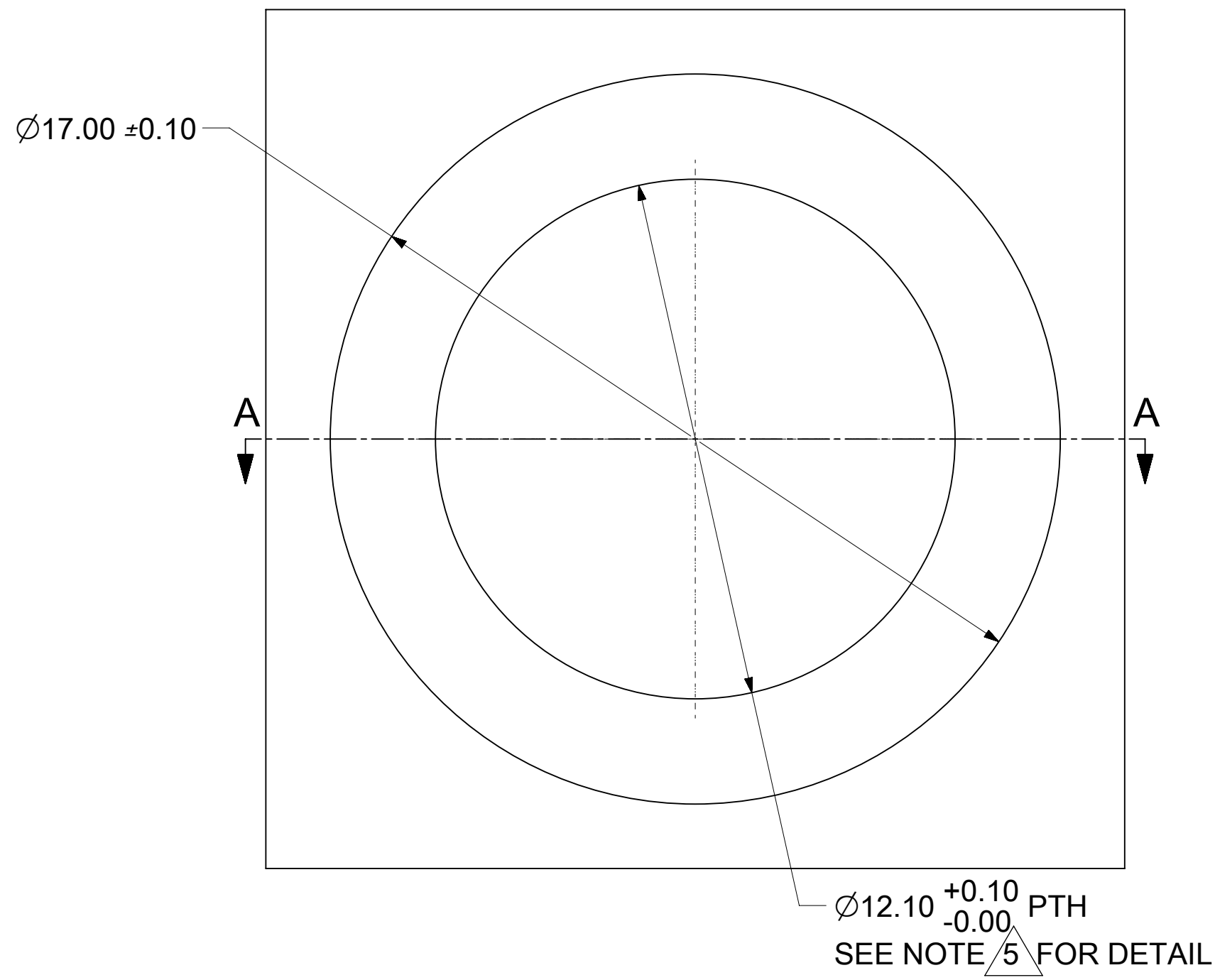
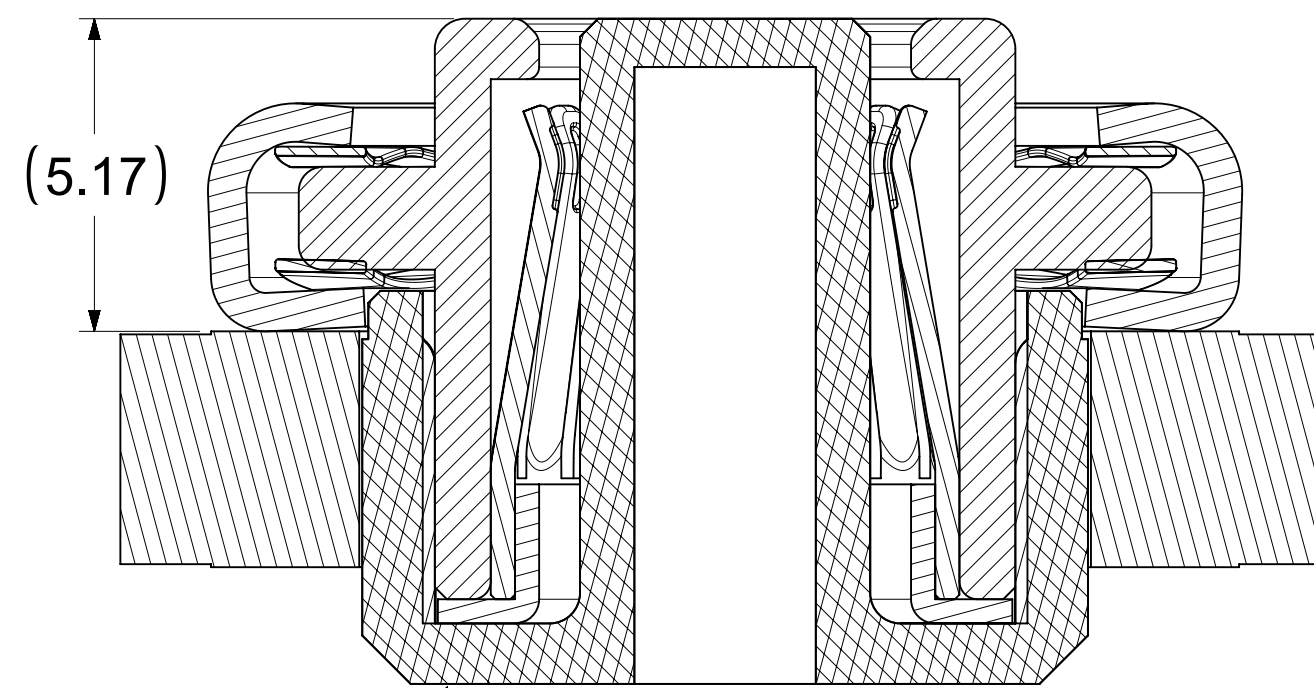
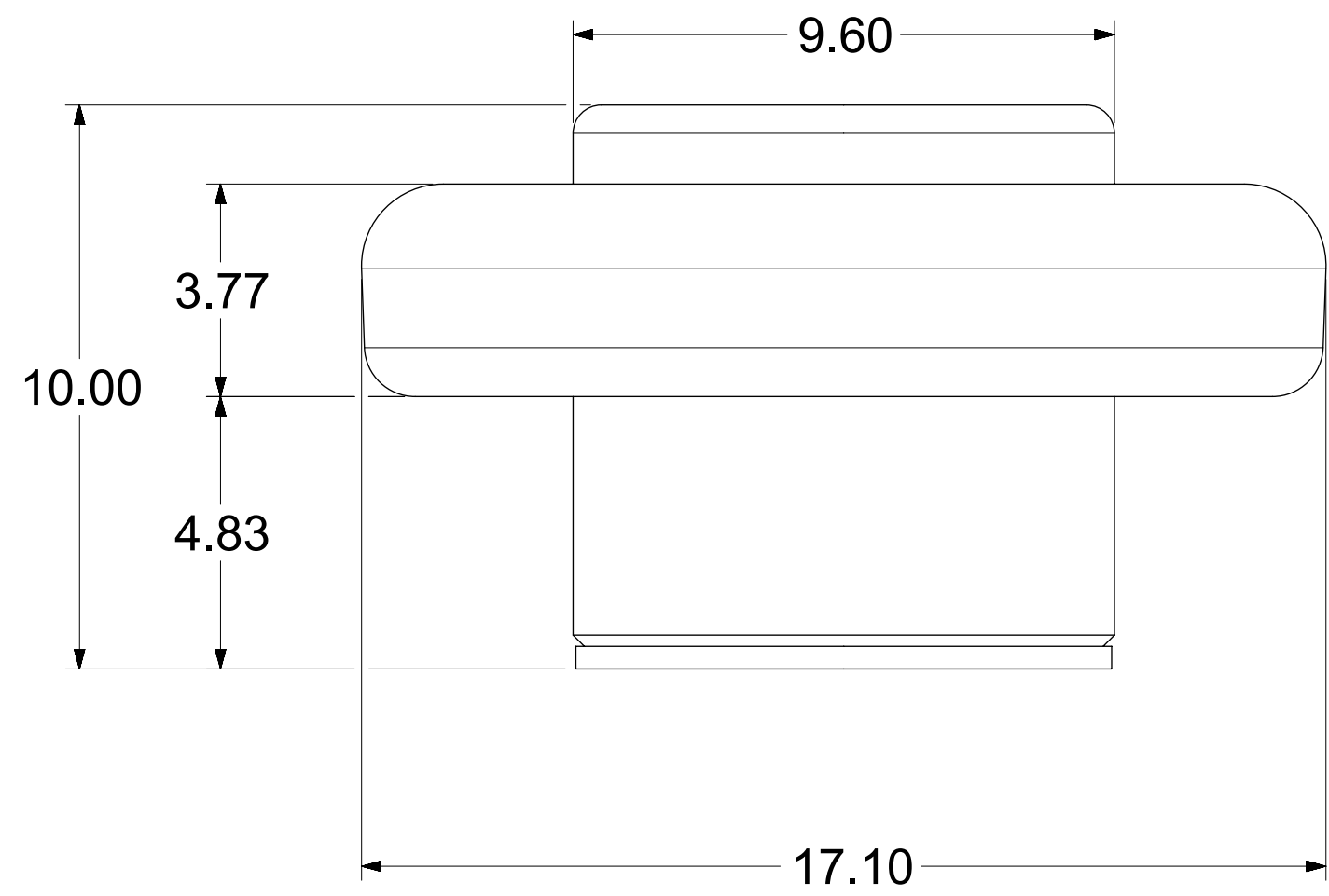


RECOMMENDED PCB LAYOUT



MATING PROFILE



SECTION A-A

REMOVABLE PICK AND PLACE CAP SHOWN

NOTES:

1. MATERIALS: COPPER ALLOY
2. PLATING:
 - i. CONTACT AREA: GOLD.
 - ii. REST: SILVER WITH TARNISH INHIBITOR
3. MATES WITH THE STANDARD PIN DRAWINGS:
 - i. 6.0MM SMT DRAWING 2032630136-SD, MIN. MATING DISTANCE 7.92MM
 - ii. 6.0MM PRESS FIT DRAWING 2032630006-SD, MIN. MATING DISTANCE 7.67MM
 - iii. 6.0MM SCREW MOUNT DRAWING 2032636185-SD, MIN. MATING DISTANCE 10.67MM
4. PRODUCT SPECIFICATION: 2043130006-PS
5. APPLICATION SPECIFICATION: 2043130006-AS
6. PACKAGING SPECIFICATION: 2043650006-PK
7. SILVER COMPONENTS WILL BE SUPPLIED TARNISH FREE BUT MAY TARNISH OVER TIME.

THIS DRAWING CONTAINS INFORMATION THAT IS PROPRIETARY TO MOLEX ELECTRONIC TECHNOLOGIES, LLC AND SHOULD NOT BE USED WITHOUT WRITTEN PERMISSION										
DIMENSION UNITS		SCALE		CURRENT REV DESC: RELEASED				molex		
mm		NTS								
GENERAL TOLERANCES (UNLESS SPECIFIED)				EC NO: 618198						
ANGULAR TOL				±		°		DRWN: FCSOO		2018/08/10
4 PLACES				±				CHK'D: BPISZCZOR		2019/05/30
3 PLACES				±				APPR: BPISZCZOR		2019/05/30
2 PLACES				±		0.15		INITIAL REVISION:		
1 PLACE				±		0.25		DRWN: JJONIAK		2018/03/06
0 PLACES				±				APPR: BPISZCZOR		2019/05/30
DRAFT WHERE APPLICABLE MUST REMAIN WITHIN DIMENSIONS		THIRD ANGLE PROJECTION		DRAWING		SERIES		MATERIAL NUMBER		CUSTOMER
				D-SIZE		204365		2043650006		GENERAL MARKET
								DOCUMENT NUMBER		DOC TYPE
								2043650006-SD		PSD
								000		REVISION
								A		
								SHEET NUMBER		1 OF 1