

PART NUMBER	REV	FIRST USED	POWER UNIT	FEED TYPE	DESCRIPTION
1855312-1	A	122500-1	LEADMAKER	AIR FEED	CUTS CARRIER
1855312-2	A	565435-5	BENCH MODEL K	AIR FEED	CUTS CARRIER
1855312-3	A	354500-1	BENCH MODEL G	AIR FEED	CUTS CARRIER
7-1855312-7	A	-	-	-	SPARE PARTS

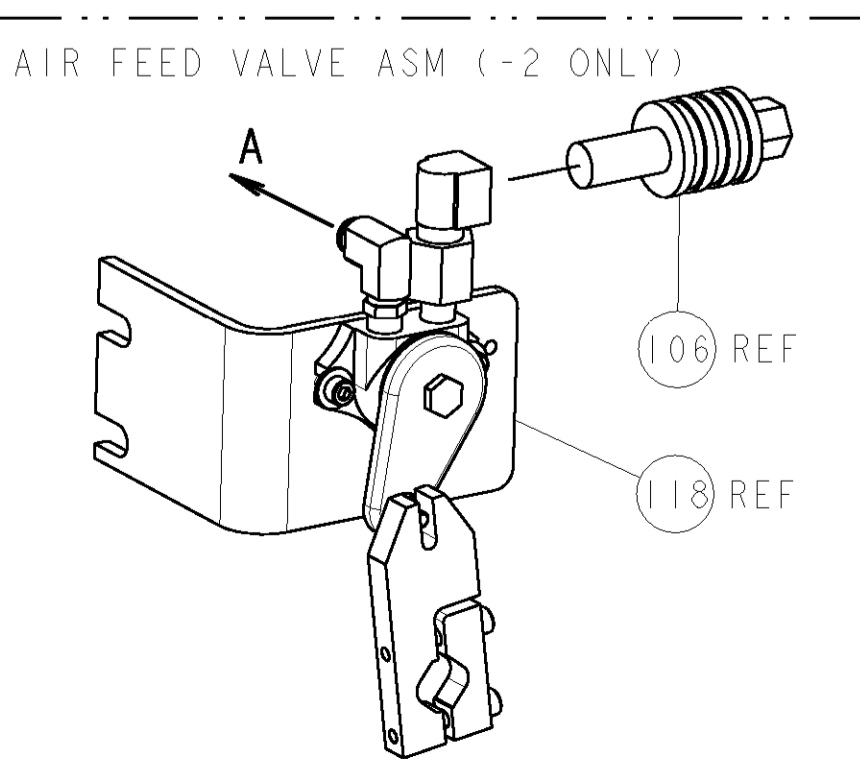
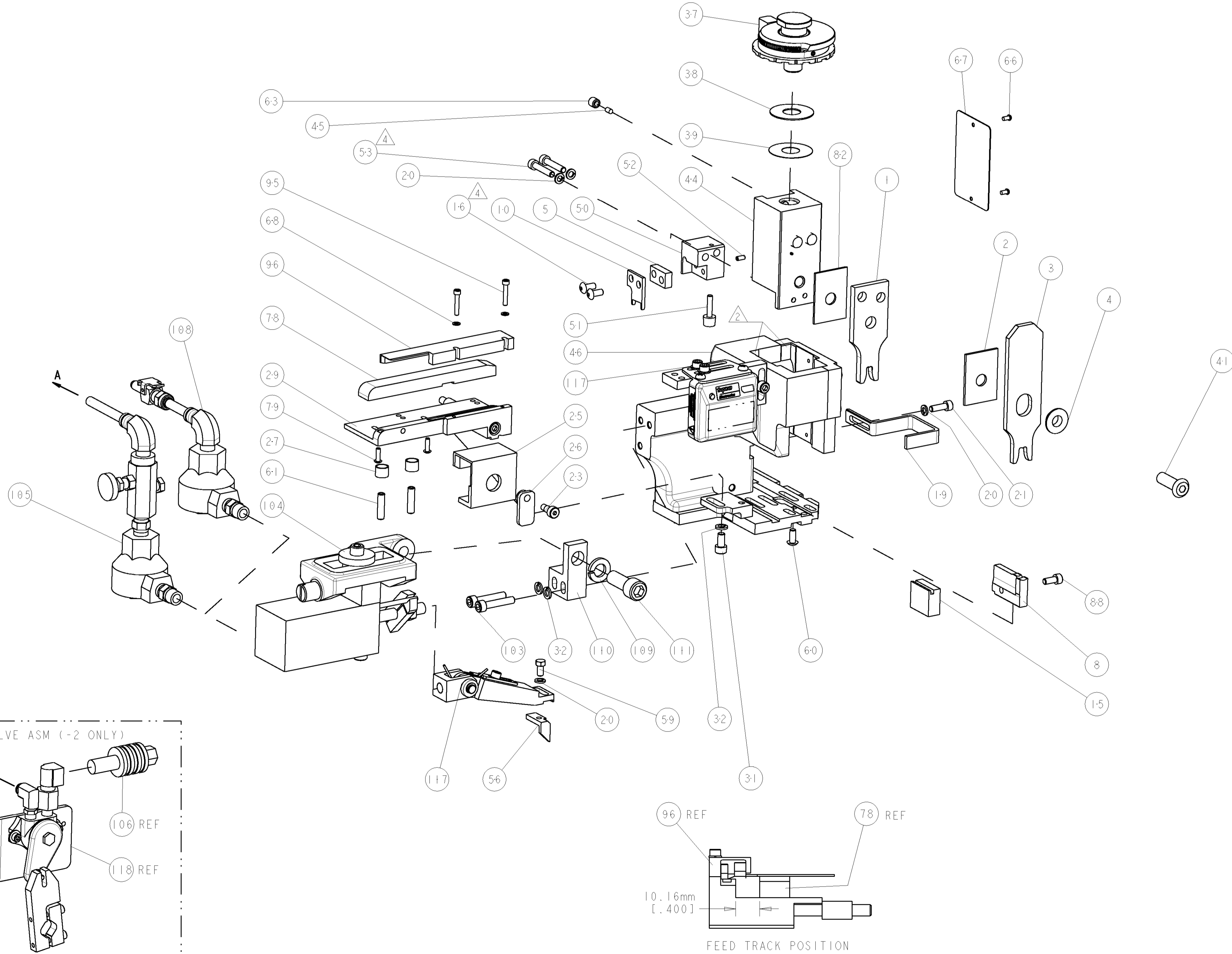


TERMINAL NAME: RING TONGUE				
TE PN	PACKARD PN	PACKARD TERMINAL - PACKARD CRIMP SPECS		
1949428	15354754			
-	-	CRIMP HEIGHT	WIRE SIZE	REF SETTING
-	-	2.95±0.05mm [1.16±.002]	(2)2mm <sup>2</sup> or (2)14AWG	C5
-	-	-	-	-
-	-	CRIMP	SIZE	TYPE
-	-	WIRE	4.50mm [.177]	F
-	-	INSUL	6.60mm [.260]	F
-	-	-	-	Ø4.5mm MAX
WIRE STRIP LENGTH	TERM APPL SPEC	FEED	APPLICATOR INSTRUCTIONS	SET UP GAGE
7.7-8.5mm	NONE	19.9mm	408-8040	458637-1

LOC	DIST	REVISIONS					
A	66	P	LTR	DESCRIPTION	DATE	DWN	APPR
		A		RELEASED	24AUG2007	RK	TE

- △ RECOMMENDED SPARE PARTS
- △ GREASE LIGHTLY
- △ GUARD MUST BE IN PLACE WHEN OPERATING APPLICATOR IN A BENCH MACHINE
- △ CUT TO LENGTH AT ASSEMBLY.

**\* WARNING**  
ON INSTALLATION, SET WIRE DISC TO LARGEST WIRE SIZE SETTING. USE OF SETTINGS BELOW MIN. REQUIRED CRIMP HEIGHT SETTING WILL CAUSE DAMAGE TO CRIMP TOOLING.



QTY	REF	DESCRIPTION	ITEM NO
-	-	REF - -	692655-6
-	1	AIR FEED VALVE ASSEMBLY	118
-	1	FEED FINGER ASSEMBLY	117
-	REF	GUARD WINDOW	116
-	REF	INSERT, GUARD	115
-	1	SCR, SKT HD CAP 3/8-16 X 1.000	111
-	1	MOUNT, FEED BRACKET	110
-	1	WASHER, SPRG LOCK, REG 3/8	109
-	1	AIR FEED VALVE ASSEMBLY	108
-	REF	VALVE, SHUT OFF	106
-	1	AIR FEED VALVE ASSEMBLY	105
-	1	ASSEMBLY, AIR FEED	104
-	2	SCR, SKT HD CAP 10-32 X 1.000	103
-	1	FRONT STRIP GUIDE	96
-	2	SCR, SKT HD CAP 4-40 X .625	95
-	1	SCR, SKT HD CAP 8-32 X .375	88
-	1	SPACER, CRIMPER	82
-	2	SCR, BTN SKT HD CAP 4-40 X .375	79
-	1	FENCE	78
-	1	SF APPL INST 408-8040	72
-	1	GENERAL INSTRUCTION PKG	71
-	2	WASHER, SPRG LOCK, REG NO 4	68
-	1	PLATE, IDENTIFICATION	67
-	2	SCREW, DRIVE	66
-	1	SCR, SET, SELF LOCKING 1/4-20 X .250	63
-	2	SCR, SET, CUP POINT 10-32 X .750	61
-	1	SCR, BHSC, SELF-LOCKING, 8-32 X .375	60
-	1	SCR, HEX HD CAP 8-32 X .312	59
-	1	FEED PAWL	56
-	2	SCR, SKT HD CAP 8-32 X .875	53
-	1	SCR, SET, CUP POINT 4-40 X .250	52
-	1	BUMPER, HOLD DOWN	51
-	1	HOLDER, SLUG BLADE	50
-	1	APPL., BASIC AIR FEED SUB ASSY	46
-	1	PLUG, NYLON	45
-	1	RAM, SIDE FEED	44
-	1	CRIMPER, BOLT SPECIAL	41
-	1	SHIM SUB-ASSY	39
-	1	SHIM	38
-	1	FINE ADJUST HEAD ASSEMBLY	37
-	3	WASHER, SPRG LOCK, REG NO 10	32
-	1	SCR, SKT HD CAP 10-32 X .375	31
-	1	ASSEMBLY, STRIP GUIDE	29
-	2	SPRING, COMPRESSION	27
-	1	LEVER, DRAG RELEASE	26
-	1	DRAG, SPECIAL	25
-	1	SCR, SKT HD SHLDR 3/16 DIA X .250	23
-	1	SCR, SKT HD CAP 8-32 X .500	21
-	4	WASHER, SPRG LOCK, REG NO 8	20
-	1	STRIPPER	19
-	2	SCR, BTN SKT HD CAP 8-32 X .375	16
-	1	SHEAR, LOWER	15
-	-	-	13
-	-	-	12
-	1	BLADE, SLUG	10
-	-	-	9
-	1	ANVIL, COMBINATION	8
-	-	-	6
-	1	SPACER	5
-	1	BLOCK, FL CRIMPER SPACER	4
-	1	CRIMPER, INSULATION F	3
-	1	SPACER, CRIMPER	2
-	1	CRIMPER, WIRE	1

DIMENSIONS:		TOLERANCES UNLESS OTHERWISE SPECIFIED:		MATERIAL:		FINISH:	
INCHES		0 PLC	±	WEIGHT			
		1 PLC	±0.1				
		2 PLC	±0.01				
		3 PLC	±0.001				
		4 PLC	±0.0001				
		ANGLES	±0.0001				