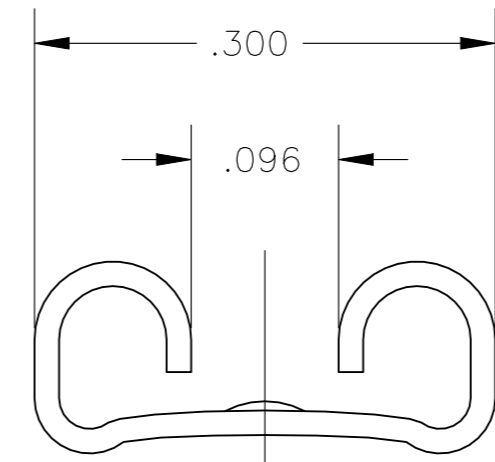
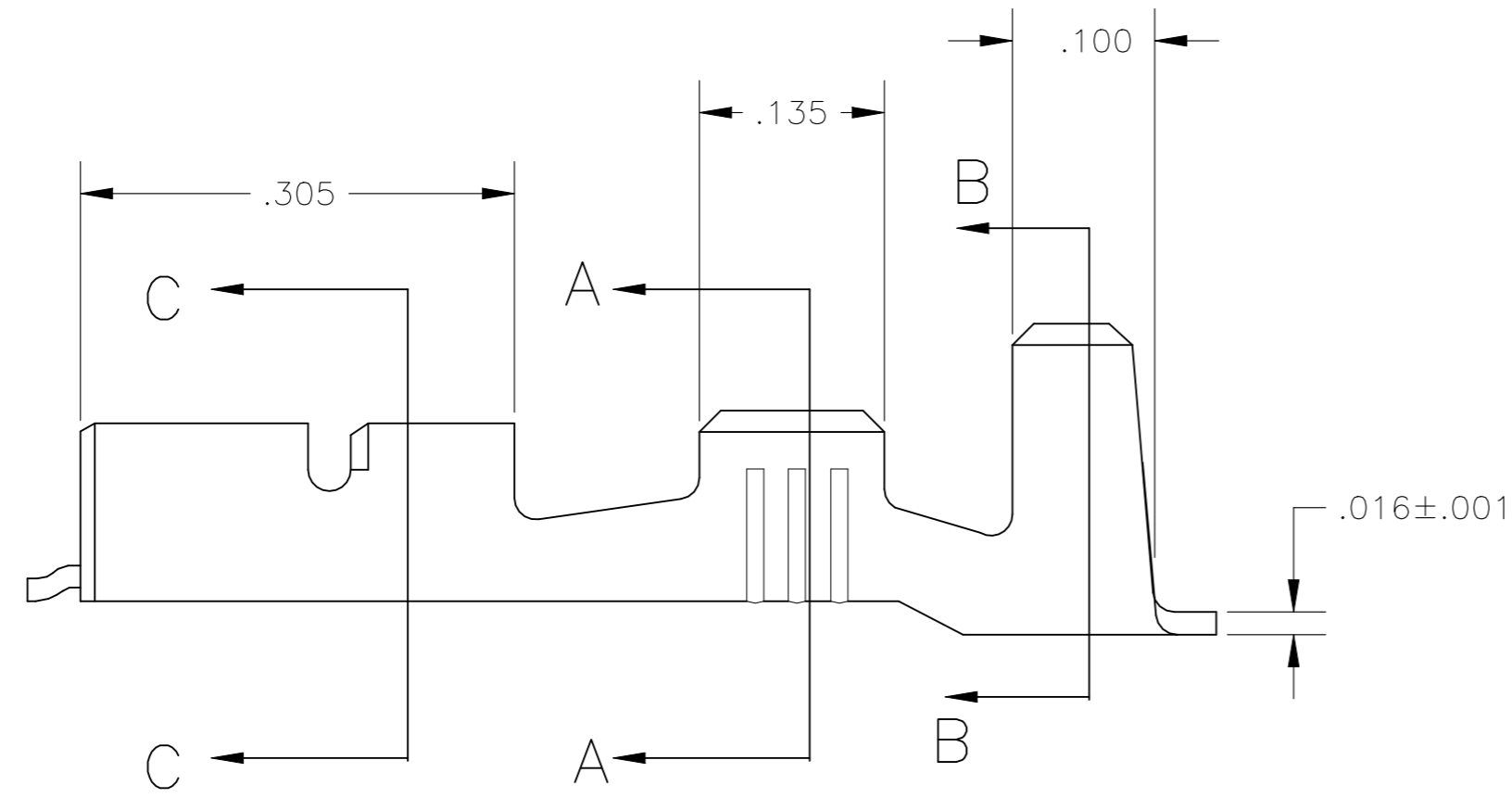
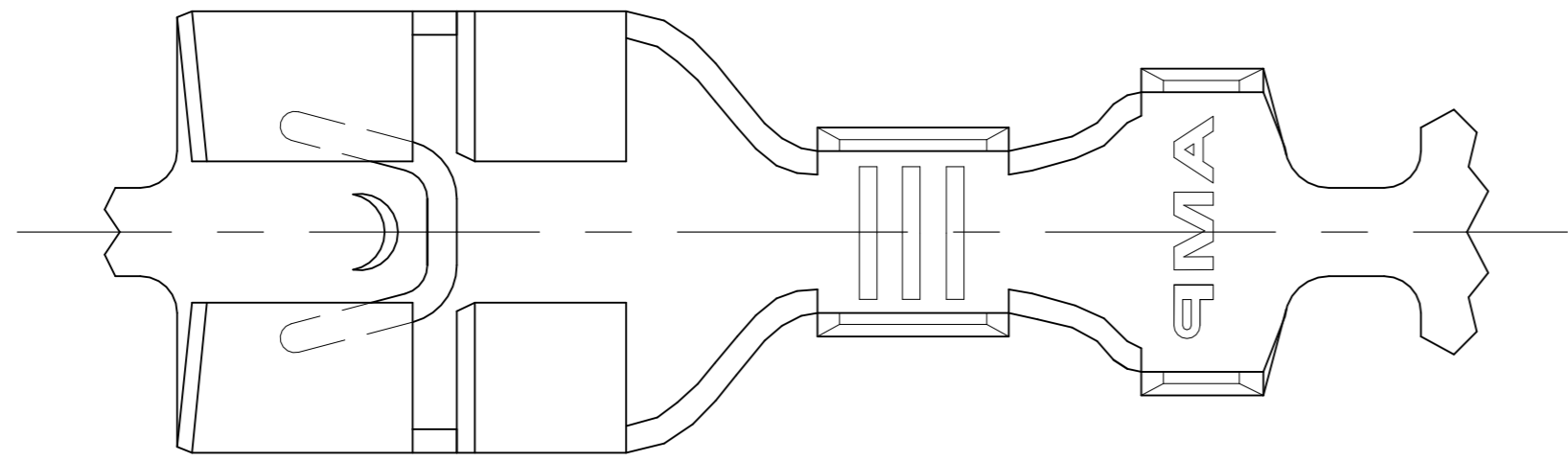
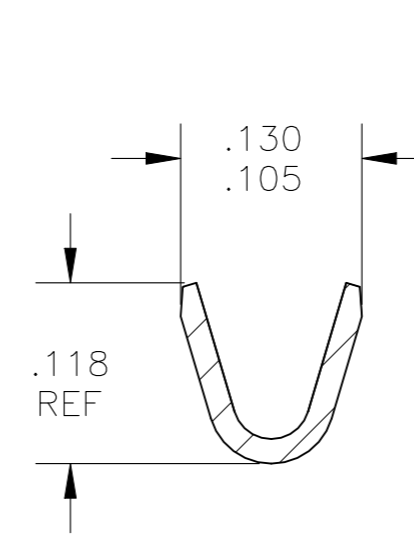


REVISIONS					
P	LTR	DESCRIPTION	DATE	DWN	APVD
B1		REVISED PER ECR-19-018140	24DEC2020	SS	EW

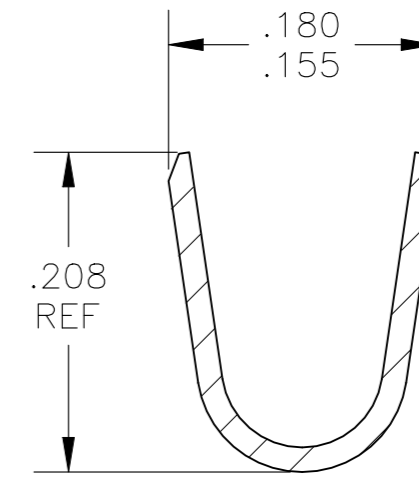
- 1 CONTINUOUS STRIP ON REELS
- 2 ACCEPTS #20-#16 AWG WIRE SIZE
- 3 INSULATION RANGE IS .090-.130 DIA
- 4 MATING TAB THK IS .032±.001.



SECTION C-C



SECTION A-A



SECTION B-B

OBSOLETE

1742950-1
PART NO

THIS DRAWING IS A CONTROLLED DOCUMENT.		DWN	JR_RUTH	25JUL06	 TE Connectivity	NAME		RECEPTACLE, FASTON, .250 SERIES				
DIMENSIONS: INCHES		CHK	P_DESANTIS	25JUL06		PRODUCT SPEC		SIZE	CAGE CODE	DRAWING NO		
 TOLERANCES UNLESS OTHERWISE SPECIFIED: 0 PLC ± - 1 PLC ± - 2 PLC ± - 3 PLC ± .010 4 PLC ± - ANGLES ± -		APVD	P_DESANTIS	25JUL06		APPLICATION SPEC		SCALE	SHEET	RESTRICTED TO		
MATERIAL BRASS		FINISH	SEE TABLE			WEIGHT	0.000000	A2	00779	C=1742950		
CUSTOMER DRAWING							SCALE	8:1	SHEET	1 of 1	REV	B1