

MOLEX P/N	LENGTH (M)	LENGTH TOLERANCE (mm)	AWG
1110751000	0.5	±25	30
1110751001	1.0	±50	30
1110751125	1.2	±50	30
1110751160	1.45	±50	30
1110753112	1.5	±50	30
1110751185	1.8	±50	30
1110751002	2.0	±50	30
1110751025	2.5	±50	28
1110751003	3.0	±100	28
1110751026	3.5	±100	28
1110751004	4.0	±100	26
1110751005	5.0	±100	26
1110751027	5.5	±100	26
1110751006	6.0	±100	26
1110751007	7.0	±150	24
1110751008	8.0	±150	24

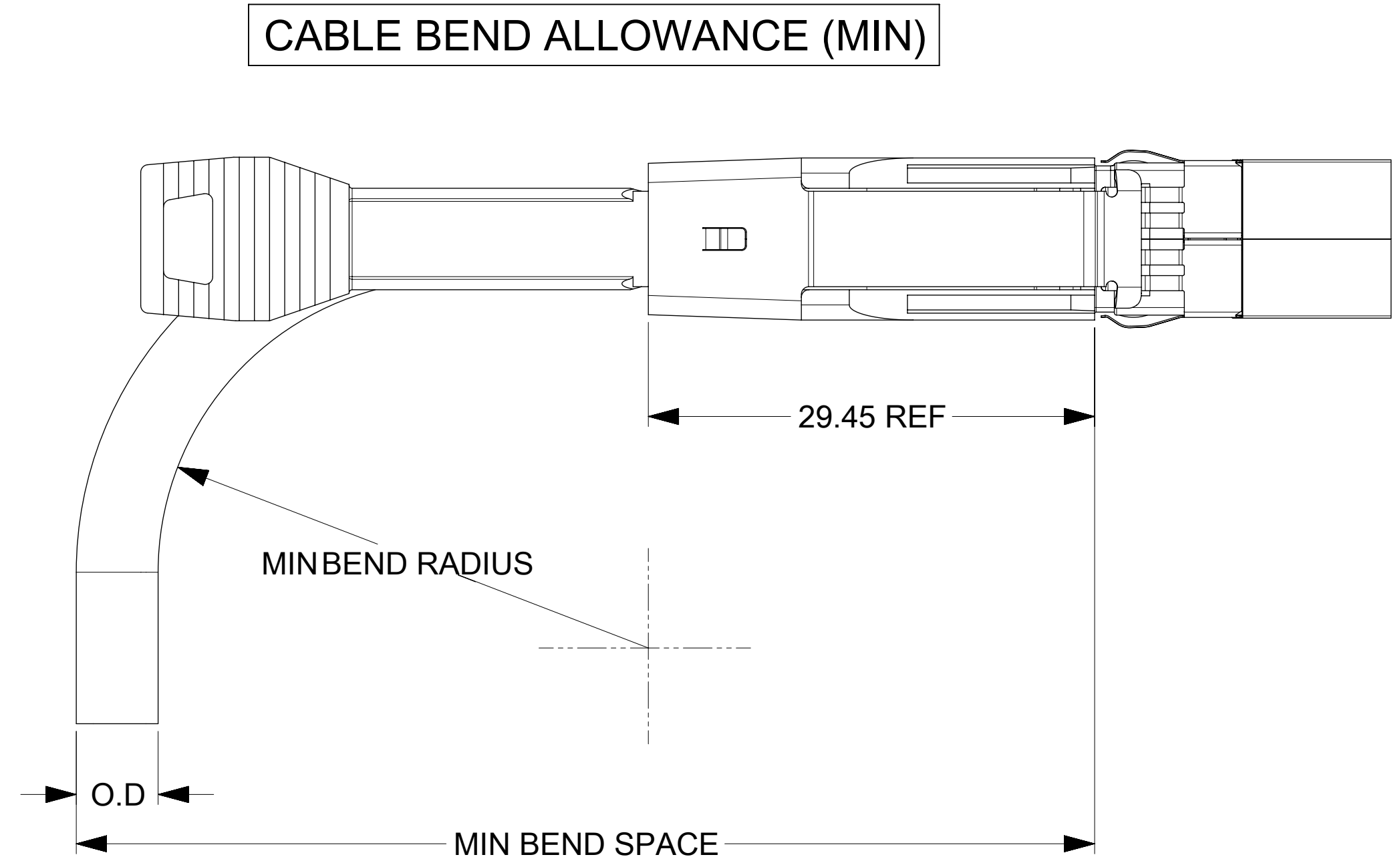
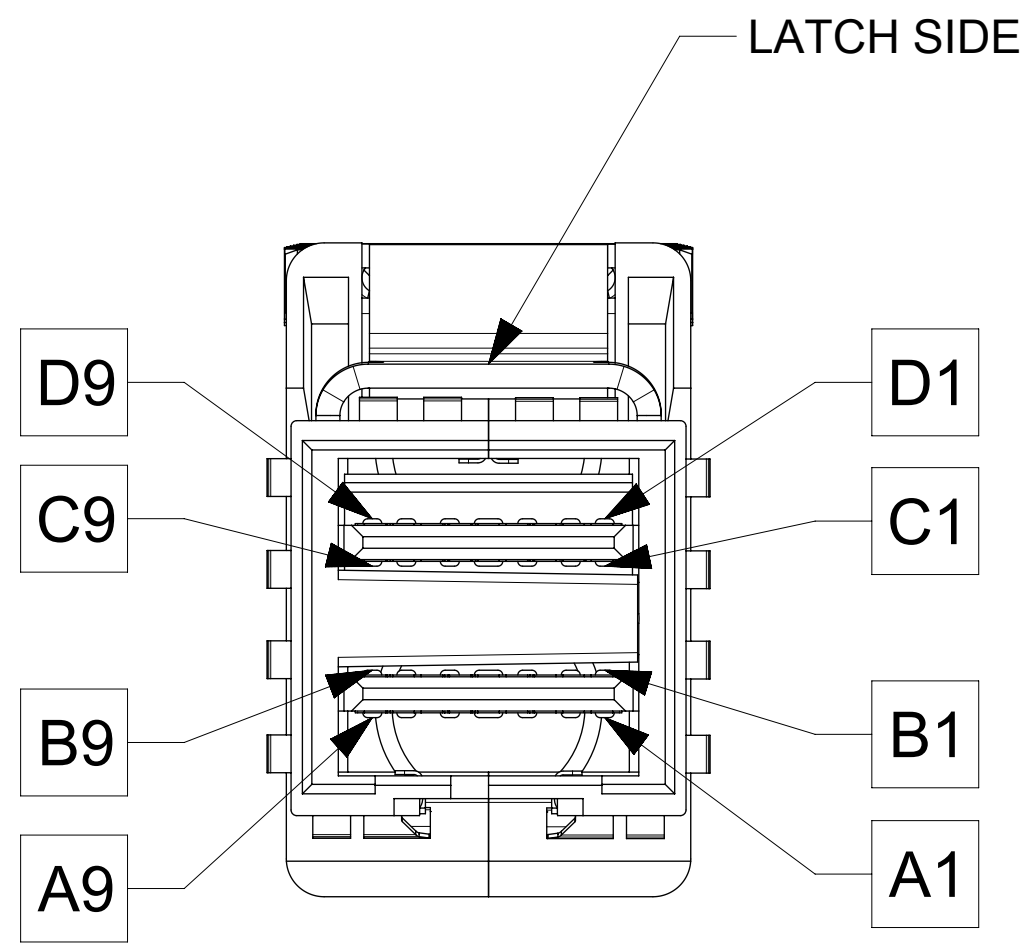
- NOTES:
- MATERIAL =  
 BACKSHELLS - NICKEL PLATED ZINC DIECAST  
 LATCH - STAINLESS STEEL  
 PULL - HALOGEN FREE THERMOPLASTIC ELASTOMER (TPE)
  - THIS PRODUCT CONFORMS TO THE MECHANICAL DIMENSIONING OF SFF-8644 AND ELECTRICAL PERFORMANCE REQUIREMENTS OF SAS 3.0
  - RoHS COMPLIANT. NO EXEMPTIONS.
  - TAPE CABLE BUNDLES EVERY 1/2 METER (APPROXIMATELY)
  - PROTECTIVE DUST CAP TO BE INSTALLED ONTO EACH PLUG (NOT SHOWN).

THIS DRAWING CONTAINS INFORMATION THAT IS PROPRIETARY TO MOLEX ELECTRONIC TECHNOLOGIES, LLC AND SHOULD NOT BE USED WITHOUT WRITTEN PERMISSION

DIMENSION UNITS <b>mm</b>	SCALE <b>2:1</b>	CURRENT REV DESC: ADDED 1.2M LENGTH PN	<b>molex</b>			
GENERAL TOLERANCES (UNLESS SPECIFIED)		EC NO: 603033				MINISAS 4X HD TO MINISAS 4X HD 12GB EXT PASSIVE CBL ASSY
ANGULAR TOL ± °		DRWN: KNAGANNA 2018/07/13	PRODUCT CUSTOMER DRAWING			
4 PLACES ±		CHK'D: NSRIVATSAHS 2018/08/17	DOCUMENT NUMBER	DOC TYPE	DOC PART	REVISION
3 PLACES ±		APPR: KNAGANNA 2018/08/23	<b>1110751000</b>	PSD	000	J
2 PLACES ± 0.13		INITIAL REVISION:	SHEET NUMBER			
1 PLACE ± 0.25		DRWN: GSARVADE 2018/03/20	MATERIAL NUMBER		CUSTOMER	
0 PLACES ±		APPR: ARAYBURN 2018/03/23	SEE PN TABLE	GENERAL MARKET		1 OF 3
DRAFT WHERE APPLICABLE MUST REMAIN WITHIN DIMENSIONS	THIRD ANGLE PROJECTION	DRAWING SERIES	D-SIZE 111075			

MINISAS HD WIRING CHART				
		-P1-		-P2-
GND	D9	-----	B9	GND
Tx2-	D8	→	B8	Rx2-
Tx2+	D7	→	B7	Rx2+
GND	D6	-----	B6	GND
Tx0-	D5	→	B5	Rx0-
Tx0+	D4	→	B4	Rx0+
GND	D3	-----	B3	GND
Vman	D2	** █ **	B2	ModPrsL
Vact	D1	** █ **	B1	Vact
SCL	C1	** █ **	A1	Rsv
SDA	C2	** █ **	A2	IntL
GND	C3	-----	A3	GND
Tx1+	C4	→	A4	Rx1+
Tx1-	C5	→	A5	Rx1-
GND	C6	-----	A6	GND
Tx3+	C7	→	A7	Rx3+
Tx3-	C8	→	A8	Rx3-
GND	C9	-----	A9	GND
GND	B9	-----	D9	GND
Rx2-	B8	←	D8	Tx2-
Rx2+	B7	←	D7	Tx2+
GND	B6	-----	D6	GND
Rx0-	B5	←	D5	Tx0-
Rx0+	B4	←	D4	Tx0+
GND	B3	-----	D3	GND
ModPrsL	B2	** █ **	D2	Vman
Vact	B1	** █ **	D1	Vact
Rsv	A1	** █ **	C1	SCL
IntL	A2	** █ **	C2	SDA
GND	A3	-----	C3	GND
Rx1+	A4	←	C4	Tx1+
Rx1-	A5	←	C5	Tx1-
GND	A6	-----	C6	GND
Rx3+	A7	←	C7	Tx3+
Rx3-	A8	←	C8	Tx3-
GND	A9	-----	C9	GND

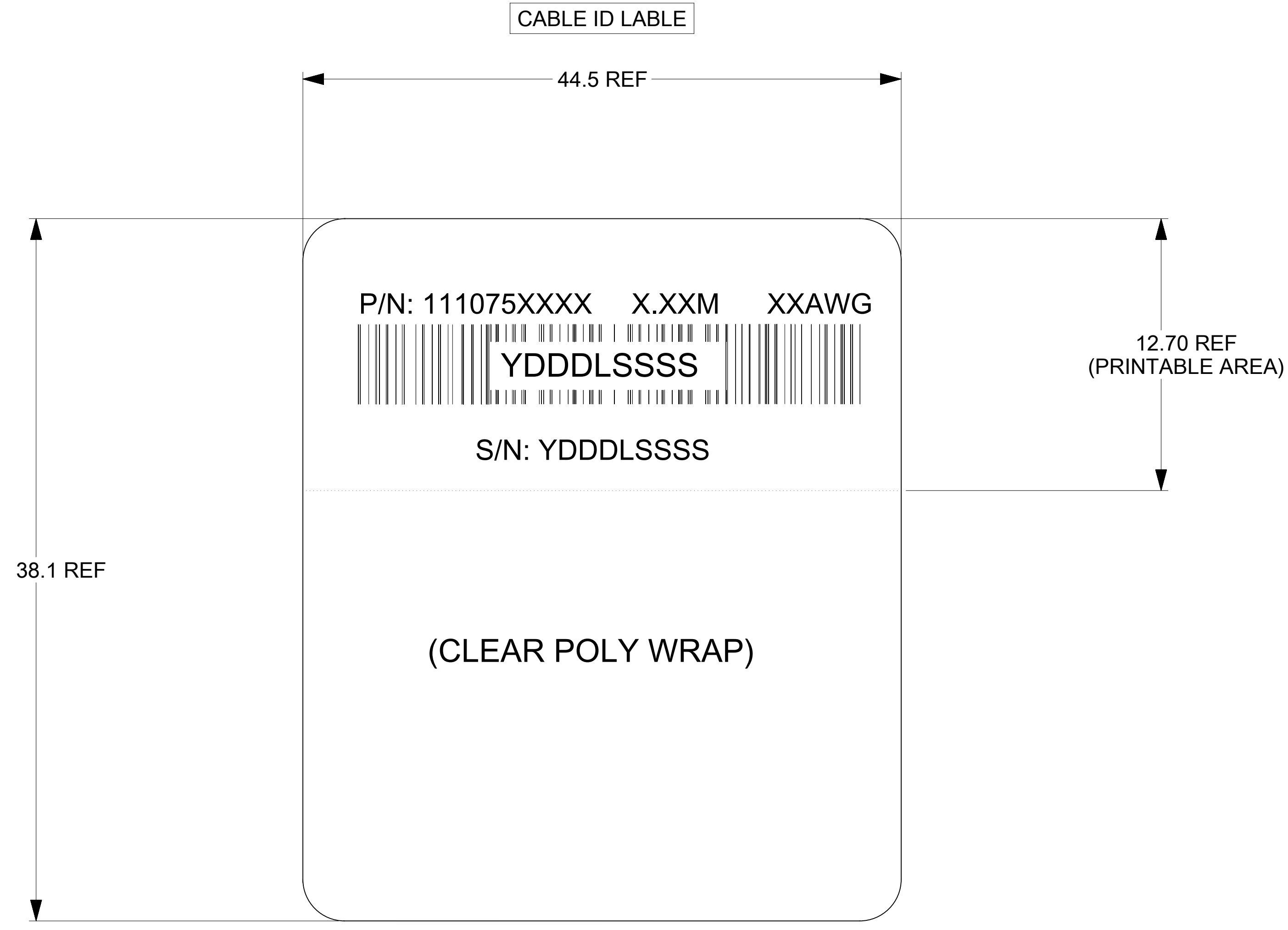
LEGEND:  
 \*\* = RESERVED FOR POWER AND MANAGEMENT INTERFACE  
 → = TRANSMIT TO RECEIVE ON HIGH SPEED LINES  
 ----- = THRU LINES  
 █ = CONNECTION TO A DEVICE ON THE PCB



GUAGE	O.D	MINIMUM BEND RADIUS (mm)	MINIMUM BEND SPACE (mm)
30	5.1	26	60
28	5.6	28	63
26	6.9	35	71
24	7.6	38	75

THIS DRAWING CONTAINS INFORMATION THAT IS PROPRIETARY TO MOLEX ELECTRONIC TECHNOLOGIES, LLC AND SHOULD NOT BE USED WITHOUT WRITTEN PERMISSION

DIMENSION UNITS <b>mm</b>	SCALE <b>3:1</b>	CURRENT REV DESC: ADDED 1.2M LENGTH PN	<b>molex</b>			
GENERAL TOLERANCES (UNLESS SPECIFIED)		EC NO: 603033				MINISAS 4X HD TO MINISAS 4X HD 12GB EXT PASSIVE CBL ASSY
ANGULAR TOL ± °		DRWN: KNAGANNA 2018/07/13	PRODUCT CUSTOMER DRAWING			
4 PLACES ±		CHK'D: NSRIVATSAHS 2018/08/17	DOCUMENT NUMBER	DOC TYPE	DOC PART	REVISION
3 PLACES ±		APPR: KNAGANNA 2018/08/23	<b>1110751000</b>	PSD	000	J
2 PLACES ± 0.13		INITIAL REVISION:	MATERIAL NUMBER			
1 PLACE ± 0.25		DRWN: GSARVADE 2018/03/20	CUSTOMER			
0 PLACES ±		APPR: ARAYBURN 2018/03/23	SHEET NUMBER			
DRAFT WHERE APPLICABLE MUST REMAIN WITHIN DIMENSIONS	THIRD ANGLE PROJECTION	DRAWING	SERIES	GENERAL MARKET		2 OF 3
		<b>D-SIZE</b>	<b>111075</b>			

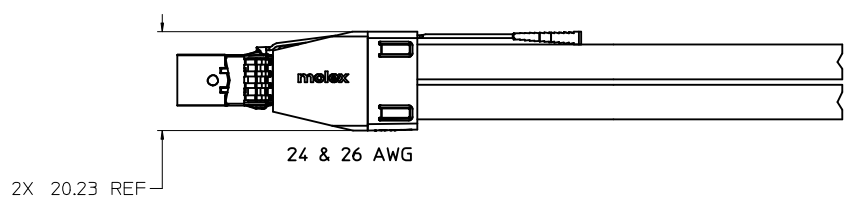
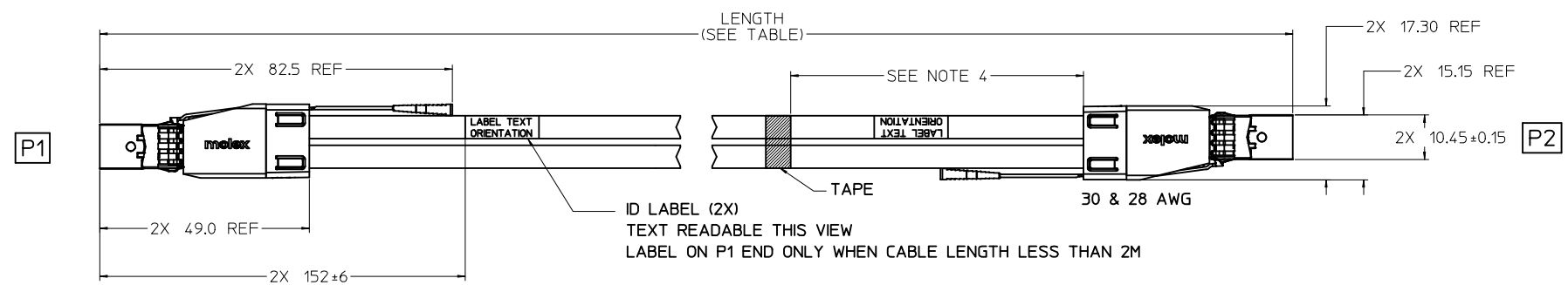
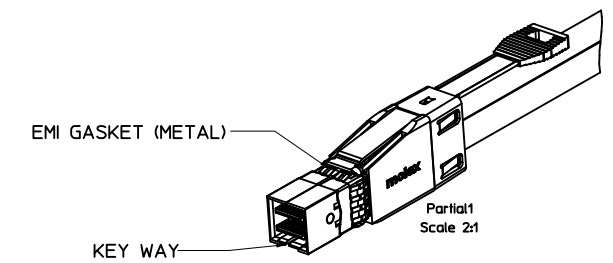
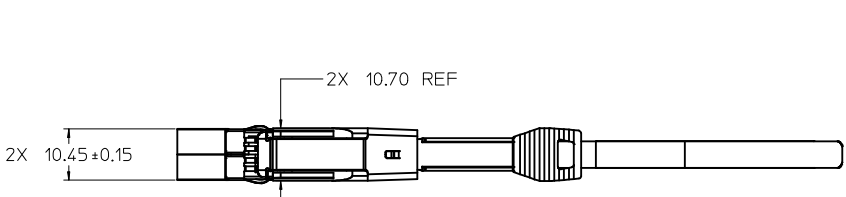


P/N: SEE TABLE  
 S/N: Y = YEAR, THE LAST DIGIT OF YEAR  
       DDD = DAY OF THE YEAR  
       L = LOCATION  
       1 - USA  
       2 - MEXICO  
       3 - CHINA

SSSS = SERIAL NUMBER  
 X.XXM: CABLE LENGTH, SEE TABLE  
 XXAWG: WIRE GAGE, SEE TABLE

(DATE CODE ISO-8601 FORMAT)

THIS DRAWING CONTAINS INFORMATION THAT IS PROPRIETARY TO MOLEX ELECTRONIC TECHNOLOGIES, LLC AND SHOULD NOT BE USED WITHOUT WRITTEN PERMISSION									
DIMENSION UNITS		SCALE		CURRENT REV DESC: ADDED 1.2M LENGTH				<b>molex</b>	
mm		1:1		PN					
GENERAL TOLERANCES (UNLESS SPECIFIED)				EC NO: 603033				MINISAS 4X HD TO MINISAS 4X HD 12GB EXT PASSIVE CBL ASSY	
ANGULAR TOL		± °		DRWN: KNAGANNA 2018/07/13					
4 PLACES		±		CHK'D: NSRIVATSAHS 2018/08/17					
3 PLACES		±		APPR: KNAGANNA 2018/08/23				PRODUCT CUSTOMER DRAWING	
2 PLACES		± 0.13		INITIAL REVISION:				DOCUMENT NUMBER	
1 PLACE		± 0.25		DRWN: GSARVADE 2018/03/20				1110751000	
0 PLACES		±		APPR: ARAYBURN 2018/03/23				PSD 000 J	
DRAFT WHERE APPLICABLE MUST REMAIN WITHIN DIMENSIONS		THIRD ANGLE PROJECTION		DRAWING		SERIES		MATERIAL NUMBER	
						D-SIZE 111075		SEE PN TABLE	
						CUSTOMER		SHEET NUMBER	
						GENERAL MARKET		3 OF 3	



MOLEX P/N	LENGTH (M)	LENGTH TOLERANCE (mm)	AWG
1110751000	0.5	±25	30
1110751001	1.0	±50	30
1110751160	1.45	±50	30
1110753112	1.5	±50	30
1110751002	2.0	±50	30
1110751025	2.5	±50	28
1110751003	3.0	±100	28
1110751026	3.5	±100	28
1110751004	4.0	±100	26
1110751005	5.0	±100	26
1110751027	5.5	±100	26
1110751006	6.0	±100	26
1110751007	7.0	±150	24
1110751008	8.0	±150	24

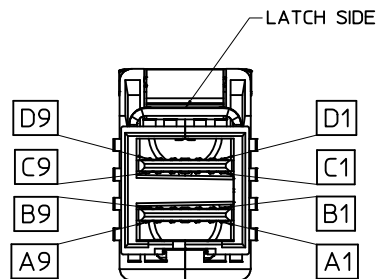
- NOTES:
- MATERIAL =  
 BACKSHELLS - NICKEL PLATED ZINC DIECAST.  
 LATCH - STAINLESS STEEL.  
 PULL - HALOGEN FREE THERMOPLASTIC ELASTOMER (TPE)
  - THIS PRODUCT CONFORMS TO THE MECHANICAL DIMENSIONING OF SFF-8644 AND ELECTRICAL PERFORMANCE REQUIREMENTS OF SAS 3.0
  - RoHS COMPLIANT. NO EXEMPTIONS.
  - TAPE CABLE BUNDLES EVERY 1/2 METER (APPROXIMATELY)
  - PROTECTIVE DUST CAP TO BE INSTALLED ONTO EACH PLUG (NOT SHOWN).

ADDED 1110751027 EC NO: CPG2016-3207 DRWNG: KUMARR CHKD: APPR: ARABURU 2016/03/01 2016/03/01	QUALITY SYMBOLS	GENERAL TOLERANCES (UNLESS SPECIFIED)	DIMENSION STYLE	SCALE	DESIGN UNITS	THIRD ANGLE PROJECTION	
	∇=0 ∇=0 ∇=0	mm INCH 4 PLACES ± --- ± --- 3 PLACES ± 0.13 ± --- 2 PLACES ± 0.25 ± --- 0 PLACE ± --- ± ---	MM ONLY	2:1	METRIC	DRAWN BY: RKLIN CHECKED BY: SHOSSAIN APPROVED BY: RMKHAN DATE: 2012/09/11 DATE: 2013/04/09 DATE: 2013/07/03	MINISAS 4X HD TO MINISAS 4X HD 12GB EXT PASSIVE CBL ASSY <b>molex</b>
	ANGULAR ± --- DRAFT WHERE APPLICABLE MUST REMAIN WITHIN DIMENSIONS	SEE P/N TABLE SEE P/N TABLE	MATERIAL NO. DOCUMENT NO.	SHEET NO. 1 OF 3			

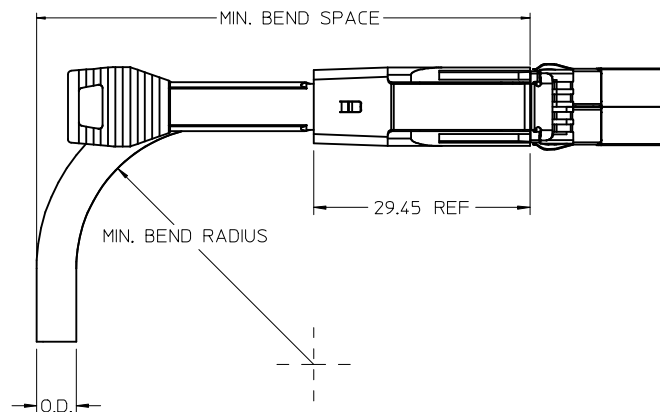
MINISAS HD WIRING CHART					
-P1-			-P2-		
GND	D9	----	B9	GND	
Tx2-	D8	---->	B8	Rx2-	
Tx2+	D7	---->	B7	Rx2+	
GND	D6	----	B6	GND	
Tx0-	D5	---->	B5	Rx0-	
Tx0+	D4	---->	B4	Rx0+	
GND	D3	----	B3	GND	
Vman	D2	**■**	B2	ModPrsL	
Vact	D1	**■**	B1	Vact	
SCL	C1	**■**	A1	Rsv	
SDA	C2	**■**	A2	IntL	
GND	C3	----	A3	GND	
Tx1+	C4	---->	A4	Rx1+	
Tx1-	C5	---->	A5	Rx1-	
GND	C6	----	A6	GND	
Tx3+	C7	---->	A7	Rx3+	
Tx3-	C8	---->	A8	Rx3-	
GND	C9	----	A9	GND	
GND	B9	----	D9	GND	
Rx2-	B8	<----	D8	Tx2-	
Rx2+	B7	<----	D7	Tx2+	
GND	B6	----	D6	GND	
Rx0-	B5	<----	D5	Tx0-	
Rx0+	B4	<----	D4	Tx0+	
GND	B3	----	D3	GND	
ModPrsL	B2	**■**	D2	Vman	
Vact	B1	**■**	D1	Vact	
Rsv	A1	**■**	C1	SCL	
IntL	A2	**■**	C2	SDA	
GND	A3	----	C3	GND	
Rx1+	A4	<----	C4	Tx1+	
Rx1-	A5	<----	C5	Tx1-	
GND	A6	----	C6	GND	
Rx3+	A7	<----	C7	Tx3+	
Rx3-	A8	<----	C8	Tx3-	
GND	A9	----	C9	GND	

LEGEND:

- \*\* = RESERVED FOR POWER AND MANAGEMENT INTERFACE
- > = TRANSMIT TO RECEIVE ON HIGH SPEED LINES
- > = THRU LINES
- = CONNECTION TO A DEVICE ON THE PCB



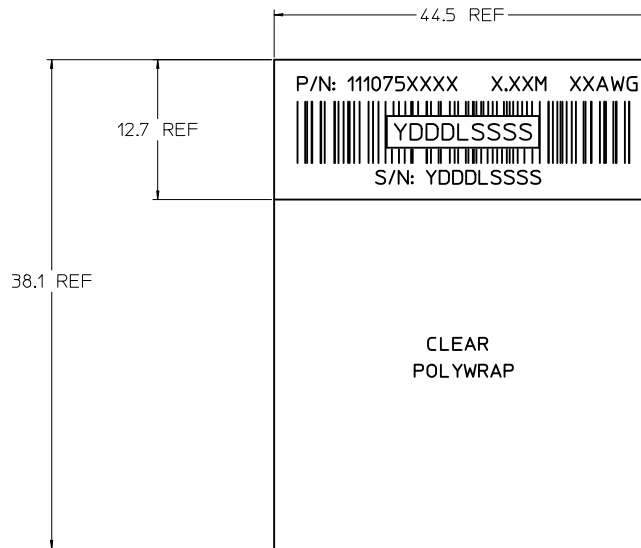
CABLE BEND ALLOWANCE (MIN)



GUAGE	O.D.	MIN. BEND RADIUS	MIN. BEND SPACE
30	5.1	26	60
28	5.6	28	63
26	6.9	35	71
24	7.6	38	75

ADDED 110751027 EC NO: CPG2016-3207 DRW: KUMARR CHKD: APPR: ARABUJRN 2016/03/01 2016/03/01	QUALITY SYMBOLS	GENERAL TOLERANCES (UNLESS SPECIFIED)	DIMENSION STYLE	SCALE	DESIGN UNITS	THIRD ANGLE PROJECTION
	∇=0 ∇=0 ∇=0	mm INCH 4 PLACES ±--- ±--- 3 PLACES ±--- ±--- 2 PLACES ±0.13 ±--- 1 PLACE ±0.25 ±--- 0 PLACE ±--- ±---	MM ONLY	5:1	METRIC	DRAWN BY: RKLIN DATE: 2012/09/11 CHECKED BY: SHOSSA IN DATE: 2013/04/09 APPROVED BY: RMKHAN DATE: 2013/07/03
	ANGULAR ±--- DRAFT WHERE APPLICABLE MUST REMAIN WITHIN DIMENSIONS	SEE P/N TABLE	MATERIAL NO.	DOCUMENT NO.	SHEET NO.	
					2 OF 3	

**CABLE ID LABEL**



P/N: SEE TABLE  
 S/N: Y = YEAR, LAST DIGIT OF YEAR  
 DDD = DAY OF THE YEAR  
 L = LOCATION - 1 = USA  
 2 = MEXICO  
 3 = CHINA  
 SSSS = SERIAL NUMBER  
 X.XXM: CABLE LENGTH, SEE TABLE  
 XXAWG: WIRE GAGE, SEE TABLE

(DATE CODE ISO-8601 FORMAT)

ADDED 1110751027 EIC NO: CPG2016-3207 DRAWN: KUMARR CHKD: ARABEURN APPR: ARABEURN 2016/03/01 2016/03/01	QUALITY SYMBOLS	GENERAL TOLERANCES (UNLESS SPECIFIED)	DIMENSION STYLE	SCALE	DESIGN UNITS	THIRD ANGLE PROJECTION
	∇=0 ∇=0 ∇=0	mm INCH 4 PLACES ± --- ± --- 3 PLACES ± --- ± --- 2 PLACES ± 0.13 ± --- 1 PLACE ± 0.25 ± --- 0 PLACE ± --- ± ---	MM ONLY 3:1 METRIC	DRAWN BY: RKL DATE: 2012/09/11 CHECKED BY: SHOSSAIN DATE: 2013/04/09 APPROVED BY: RMKHAN DATE: 2013/07/03	TITLE: MINISAS 4X HD TO MINISAS 4X HD 12GB EXT PASSIVE CBL ASSY molex	MATERIAL NO. SEE P/N TABLE
ANGULAR ± ---° DRAFT WHERE APPLICABLE MUST REMAIN WITHIN DIMENSIONS		THIS DRAWING CONTAINS INFORMATION THAT IS PROPRIETARY TO MOLEX INCORPORATED AND SHOULD NOT BE USED WITHOUT WRITTEN PERMISSION				