

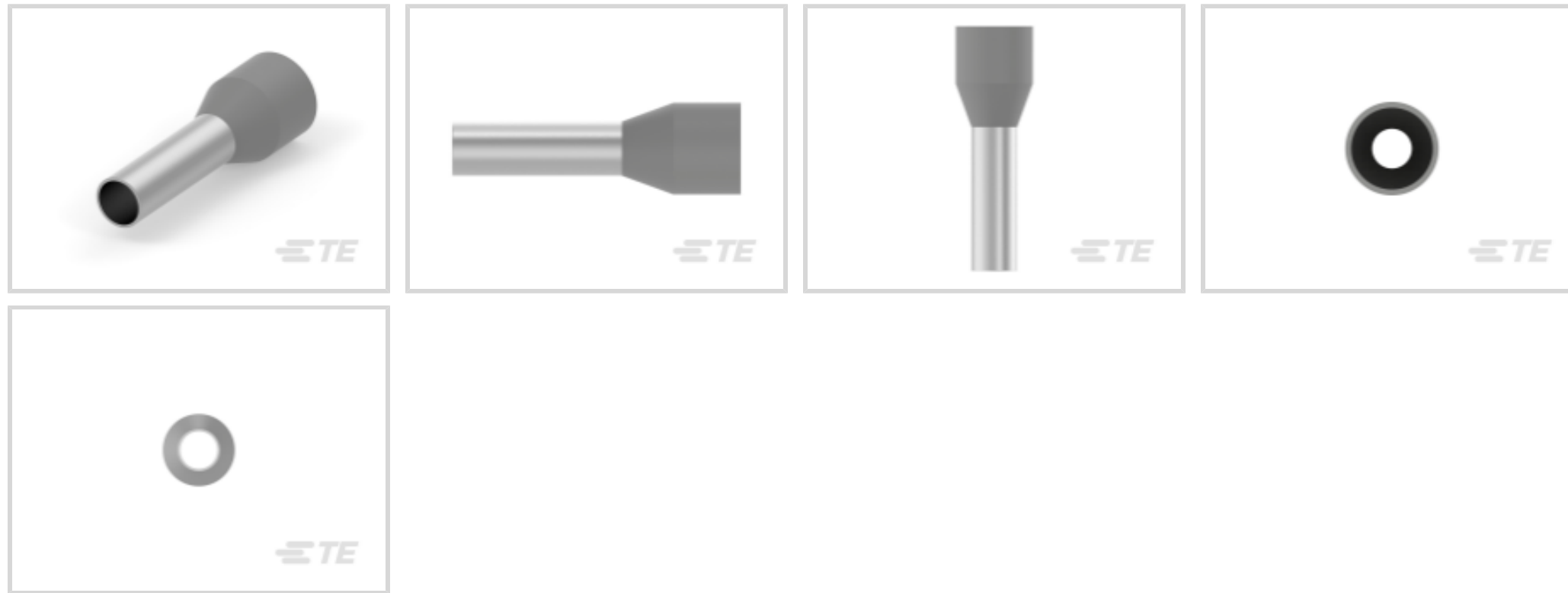


TE Internal #: 1-966067-9

Crimp Wire Pins, Tabs & Ferrules, Ferrule, 11 AWG Wire Size, 4 mm² Wire Size, 8234 CMA Wire Size, .19 in [4.8 mm] Barrel Inside Diameter, Closed

[View on TE.com >](#)

Terminals & Splices > Crimp Wire Pins, Tabs & Ferrules



Crimp Wire Terminal Type: **Ferrule**

Compatible Insulation Diameter Range: 4.7 mm [.185 in]

Wire Size: **8234 CMA**

Features

Product Type Features

| | |
|------------------------------------|----------|
| Sealable | No |
| Compatible With Discrete Wire Type | Stranded |

Configuration Features

| | |
|-----------------------------------|---------------|
| Compatible With Wire & Cable Type | Discrete Wire |
|-----------------------------------|---------------|

Body Features

| | |
|-----------------------|------|
| Primary Product Color | Gray |
|-----------------------|------|

Contact Features

| | |
|----------------------------|----------------|
| Contact Mating Area Length | 10 mm [.39 in] |
| Crimp Wire Terminal Type | Ferrule |
| Barrel Type | Closed |
| Terminal Plating Material | Tin |
| Terminal Orientation | Straight |

Mechanical Attachment

| | |
|-------------------------|---------|
| Wire Insulation Support | Without |
|-------------------------|---------|

Dimensions

| | |
|--|--|
| | |
|--|--|



| | |
|--------------------------------------|-----------------|
| 2-Wire Size | 11 AWG |
| Strip Length | 12 mm[.472 in] |
| Compatible Insulation Diameter Range | 4.7 mm[.185 in] |
| Wire Size | 8234 CMA |
| Barrel Inside Diameter | 4.8 mm[.19 in] |
| Terminal Material Thickness | .2 mm[.007 in] |
| Overall Product Length | 17 mm[.67 in] |

Usage Conditions

| | |
|-----------------------------|---------------------|
| Insulation Option | Partially Insulated |
| Operating Temperature Range | 105 °C[221 °F] |

Packaging Features

| | |
|--------------------|-----|
| Packaging Quantity | 500 |
| Packaging Method | Bag |

Product Compliance

[For compliance documentation, visit the product page on TE.com>](#)

| | |
|---|--|
| EU RoHS Directive 2011/65/EU | Compliant |
| EU ELV Directive 2000/53/EC | Compliant |
| China RoHS 2 Directive MIIT Order No 32, 2016 | No Restricted Materials Above Threshold |
| EU REACH Regulation (EC) No. 1907/2006 | Current ECHA Candidate List: JAN 2023 (233) Candidate List Declared Against: JUNE 2022 (224) Does not contain REACH SVHC |
| Halogen Content | Low Halogen - Br, Cl, F, I < 900 ppm per homogenous material. Also BFR/CFR/PVC Free |
| Solder Process Capability | Not applicable for solder process capability |

Product Compliance Disclaimer

This information is provided based on reasonable inquiry of our suppliers and represents our current actual knowledge based on the information they provided. This information is subject to change. The part numbers that TE has identified as EU RoHS compliant have a maximum concentration of 0.1% by weight in homogenous materials for lead, hexavalent chromium, mercury, PBB, PBDE, DBP, BBP, DEHP, DIBP, and 0.01% for cadmium, or qualify for an exemption to these limits as defined in the Annexes of Directive 2011/65/EU (RoHS2). Finished electrical and electronic equipment products will be CE marked as required by Directive 2011/65/EU. Components may not be CE marked. Additionally, the part numbers that TE has identified as EU ELV compliant have a maximum concentration of 0.1% by weight in homogenous materials for lead, hexavalent chromium, and mercury, and 0.01% for cadmium, or qualify for an exemption to these limits as defined in the Annexes of Directive 2000/53/EC (ELV). Regarding the REACH Regulation, the information TE provides

on SVHC in articles for this part number is based on the latest European Chemicals Agency (ECHA) 'Guidance on requirements for substances in articles' posted at this URL: <https://echa.europa.eu/guidance-documents/guidance-on-reach>

Compatible Parts



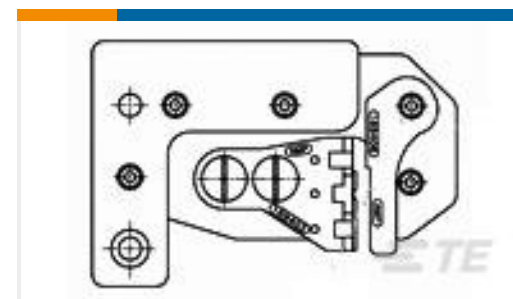
TE Part # 539660-1
ADERENDHUELSEN (Ferrule) Crimp
Tool



TE Part # 7-1579014-0
HT FOR CABLE-END SLEEVES 0,08-10



TE Part # 1SET191003R0000
FER-SE-HT

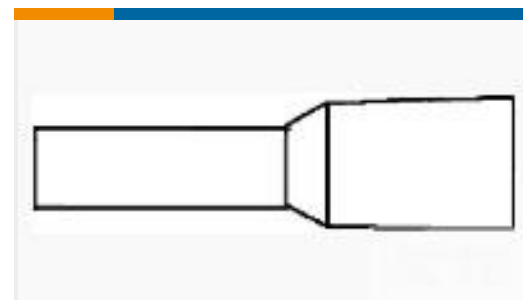


TE Part # 2-1579001-3
CSE10-AE22 CRIMP HEAD

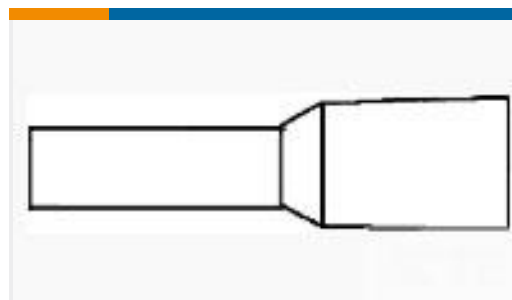
Customers Also Bought



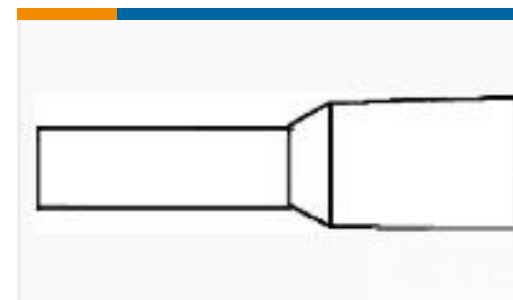
TE Part #1879022-5
SMF3 470R 5%



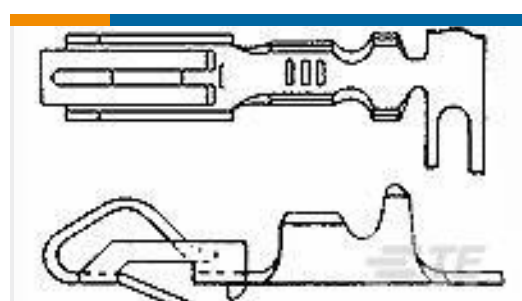
TE Part #1-966067-6
FER,WIRE,PL SLV,2.50/14,L8,BLUE,LP



TE Part #1-966067-2
FER,WIRE,PL SLV,1.50/16,L8,BLACK,LP



TE Part #966067-9
FER,WIRE,PL SLV,1.00/18,L8,RED,LP



TE Part #3-61668-1
BIF-LEAF CONT CR/SNAP SN/BR



TE Part #173708-1
070 MULTILOCK REC CONT



TE Part #4-1437719-5
T01-0560-P03-MALE REC PANEL-PCB
MOUNT RA

Documents

Product Drawings

[FER,WIRE,PL SLV,4.00/12,L10,GREY,LP](#)

English

CAD Files

[3D PDF](#)

English

Customer View Model

[ENG_CVM_1-966067-9_B1.2d_dxf.zip](#)

English

Customer View Model

[ENG_CVM_1-966067-9_B1.3d_igs.zip](#)



English

Customer View Model

[ENG_CVM_1-966067-9_B1.3d_stp.zip](#)

English

Customer View Model

[ENG_CVM_CVM_1-966067-9_B.3d_igs.zip](#)

English

By downloading the CAD file I accept and agree to the [Terms and Conditions](#) of use.

Datasheets & Catalog Pages

[BUCHANAN TERMINAL BLOCKS CATALOG - EUROSTYLE TERMINAL BLOCKS](#)

English

Wire Ferrules

English

[WIRE END FERRULES](#)

English

Agency Approvals

[CSA Certificate](#)

English