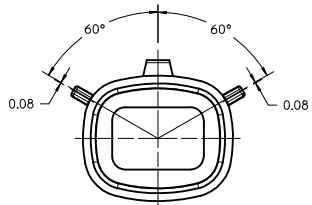
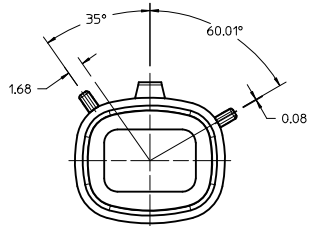


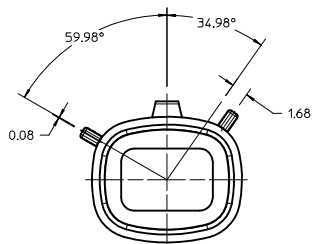
CUSTOMER SHROUD DESIGN DETAILS



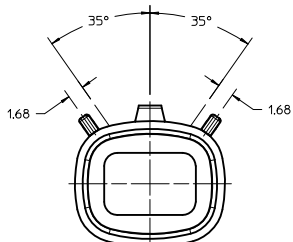
KEYING OPTION "A"
SUGGESTED COLOR: BLACK



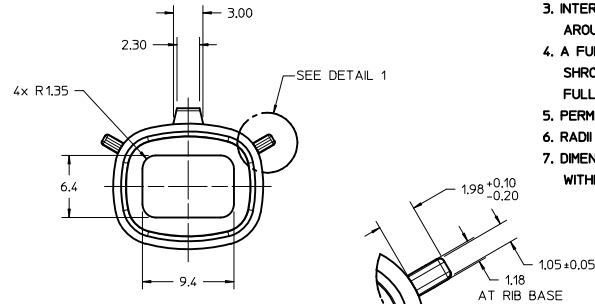
KEYING OPTION "B"
SUGGESTED COLOR: GREY



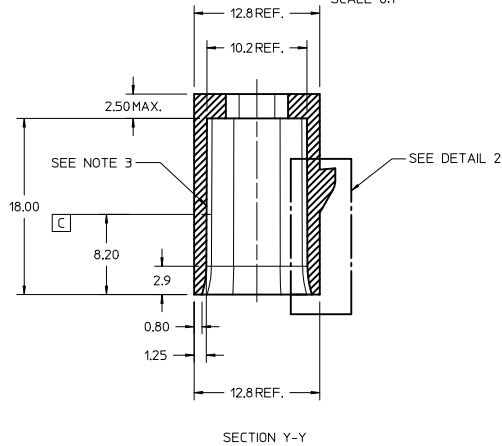
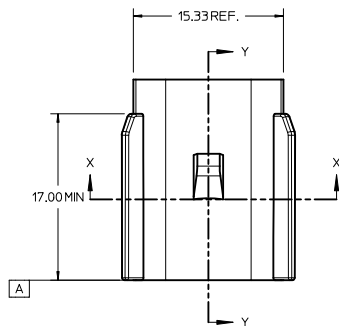
KEYING OPTION "C"
SUGGESTED COLOR: BROWN



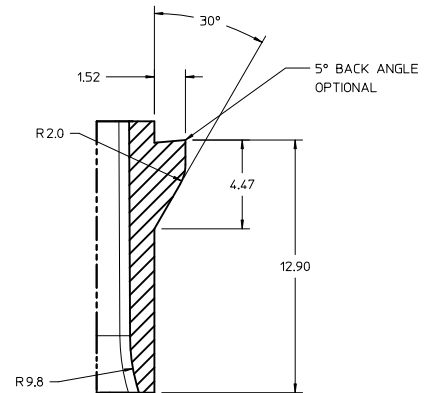
KEYING OPTION "D"
SUGGESTED COLOR: GREEN



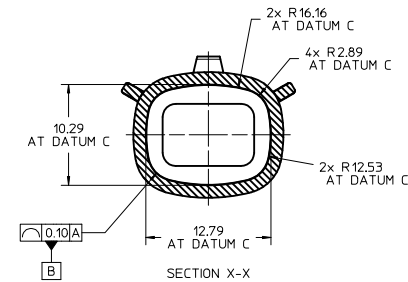
DETAIL 1
SCALE 8:1



SECTION Y-Y



DETAIL 2
SCALE 8:1

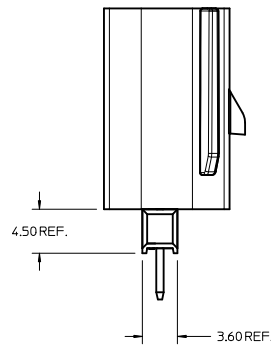
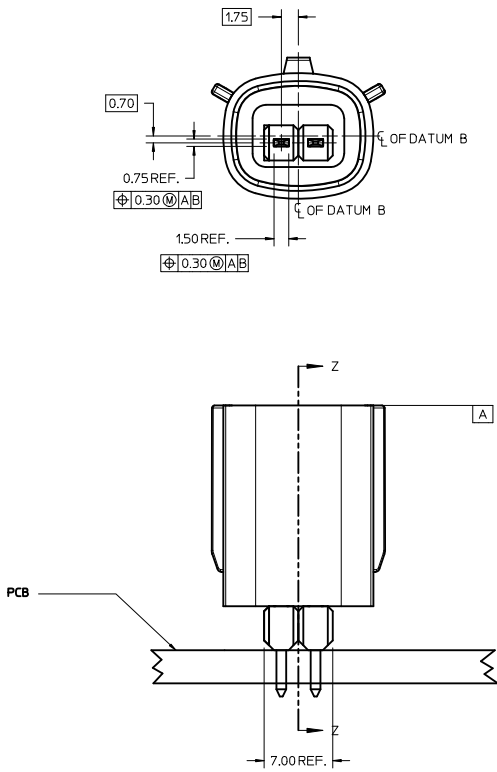


SECTION X-X

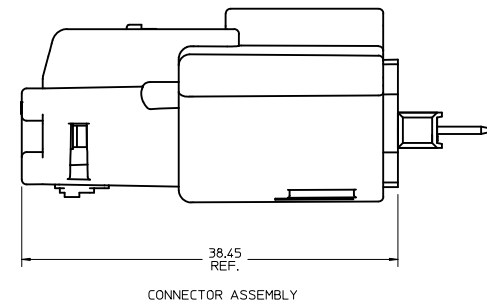
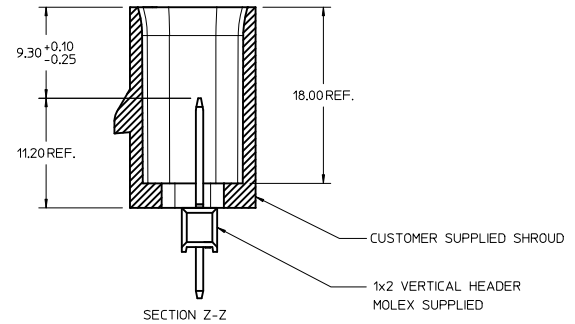
NOTES:

- REFER TO MOLEX SALES DRAWING SD-75757-002 FOR THE HEADER ASSEMBLY PRODUCT DETAILS AND RECOMMENDED PCB LAYOUT.
- KEYING OPTIONS A-D AND SUGGESTED COLORS COMPLY TO THE POLARIZATION STANDARDS ESTABLISHED FOR MATING WITH A MX150 FEMALE CONNECTOR.
- INTERIOR SHROUD SURFACE MUST BE FREE OF DEFECTS AND PARTING LINES ALL AROUND TO ENSURE PROPER SEALING OF THE MATING MX150 FEMALE CONNECTOR.
- A FULL SHROUD ON THE MATING CONNECTOR IS REQUIRED TO INSURE THE HEADER SHROUD POLARIZATION FEATURES (OPTIONS A-D) WILL FUNCTION PROPERLY. THE FULL SHROUD ALSO PREVENTS SCOOP DAMAGE TO THE HEADER CONTACTS.
- PERMISSIBLE DRAFT ANGLE 0.25° MAXIMUM.
- RADII ON ALL CORNERS SHOWN SHARP OR ALL UNSPECIFIED RADII 0.25 EXCEPT AS NOTED.
- DIMENSIONS SHOWN ABOUT A CENTERLINE ARE SYMMETRICAL ABOUT THAT CENTERLINE WITHIN HALF THE SPECIFIED TOLERANCE.

INITIAL RELEASE EC NO. UCP2011-2687 CHYD: APPR: JCOMERCL 2011/03/11	QUALITY SYMBOLS ▽=0 ▽=0		GENERAL TOLERANCES (UNLESS SPECIFIED)		DIMENSION STYLE MM ONLY		SCALE 4:1		DESIGN UNITS METRIC		THIRD ANGLE PROJECTION	
	4 PLACES ± --- ± --- 3 PLACES ± --- ± --- 2 PLACES ± 0.13 ± --- 1 PLACE ± 0.25 ± --- ANGULAR ±1/2°		mm INCH		DRAWN BY DATE DROSCA 2011/03/04		CHECKED BY DATE		TITLE APPLICATION SPEC 1X2 MX150 HEADER SHROUD DETAILS		SHEET NO. 1 OF 2	
	DRAFT WHERE APPLICABLE MUST REMAIN WITHIN DIMENSIONS		APPROVED BY DATE JCOMERCL 2011/03/11		MATERIAL NO. 75757-1020		DOCUMENT NO. AS-75757-102		MOLEX INCORPORATED		MOLEX INCORPORATED	
	THIS DRAWING CONTAINS INFORMATION THAT IS PROPRIETARY TO MOLEX INCORPORATED AND SHOULD NOT BE USED WITHOUT WRITTEN PERMISSION		SIZE D		MOLEX INCORPORATED		MOLEX INCORPORATED		MOLEX INCORPORATED		MOLEX INCORPORATED	

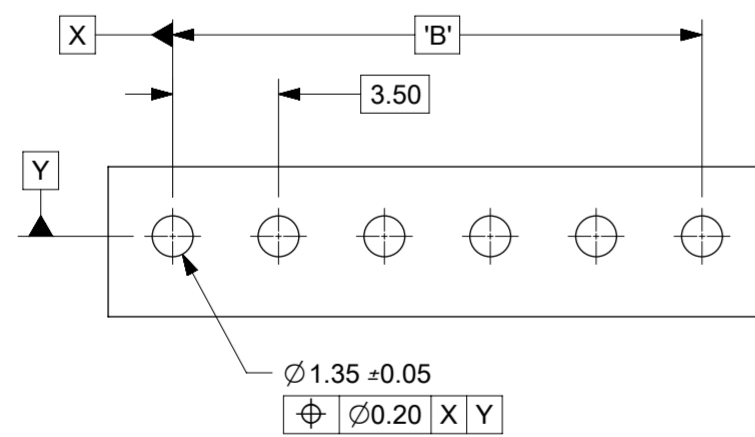
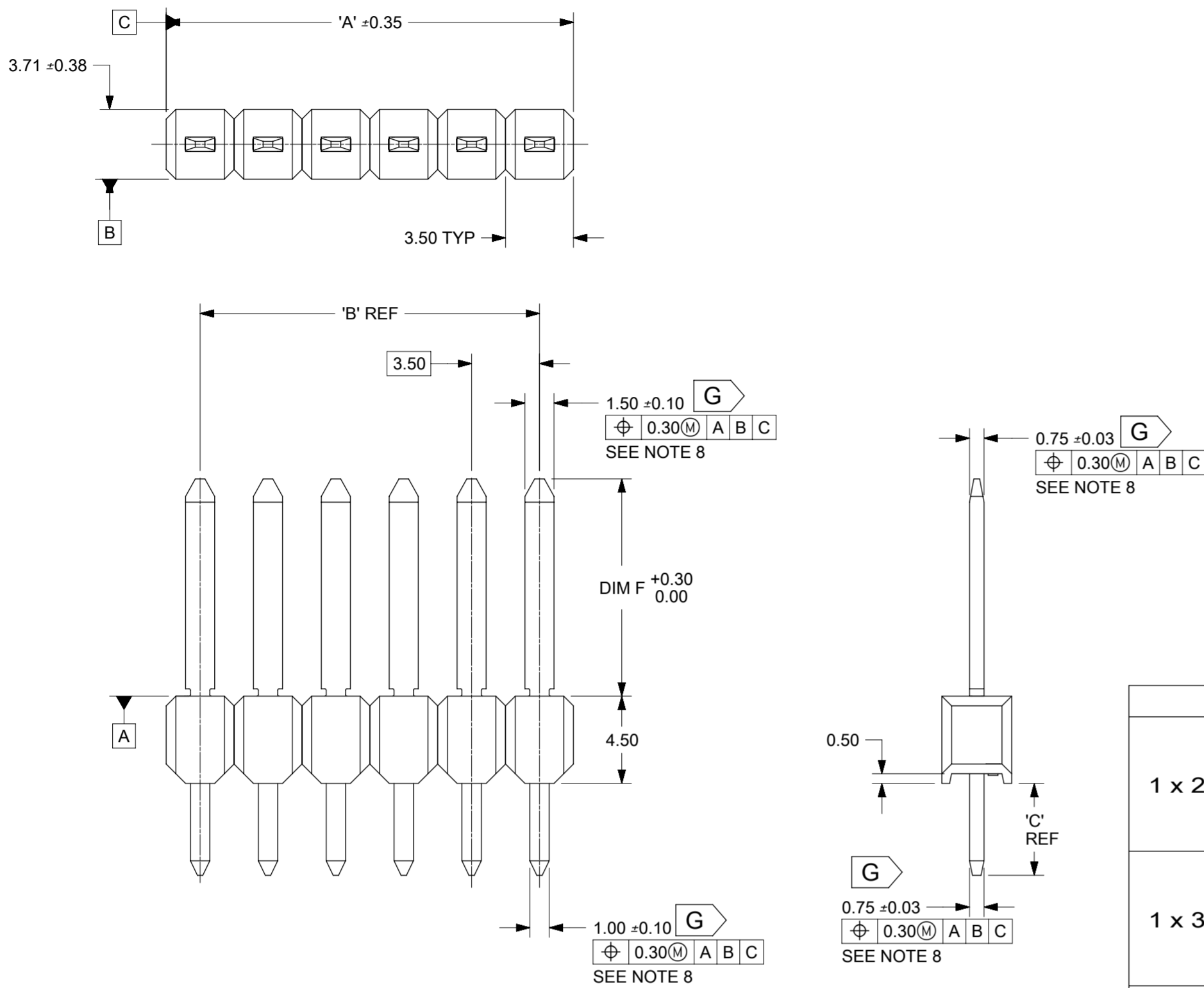


NOTES:
 1. ADHERENCE TO THE HEADER APPLICATION DETAILS IS IMPERATIVE TO ENSURE PROPER SHROUD SEALING AND CONTACT ALIGNMENT WHEN MATED WITH A MX150 FEMALE CONNECTOR.



HEADER APPLICATION DETAILS

SEE SHEET 1 IEC NO: UCP2011-2687 DRAWN: DROSCA CHKD: APPR: JCOMERCI DATE: 2011/03/11	QUALITY SYMBOLS ▽=0 ▽=0	GENERAL TOLERANCES (UNLESS SPECIFIED) <table border="1"> <thead> <tr> <th></th> <th>mm</th> <th>INCH</th> </tr> </thead> <tbody> <tr> <td>4 PLACES</td> <td>±0.10</td> <td>±---</td> </tr> <tr> <td>3 PLACES</td> <td>±0.13</td> <td>±---</td> </tr> <tr> <td>2 PLACES</td> <td>±0.25</td> <td>±---</td> </tr> <tr> <td>1 PLACE</td> <td>±0.25</td> <td>±---</td> </tr> </tbody> </table>		mm	INCH	4 PLACES	±0.10	±---	3 PLACES	±0.13	±---	2 PLACES	±0.25	±---	1 PLACE	±0.25	±---	DIMENSION STYLE MM ONLY	SCALE 4:1	DESIGN UNITS METRIC	THIRD ANGLE PROJECTION
		mm	INCH																		
	4 PLACES	±0.10	±---																		
	3 PLACES	±0.13	±---																		
2 PLACES	±0.25	±---																			
1 PLACE	±0.25	±---																			
DRAFT WHERE APPLICABLE MUST REMAIN WITHIN DIMENSIONS	DRAWN BY DROSCA DATE 2011/03/04	CHECKED BY DATE	APPROVED BY JCOMERCI DATE 2011/03/11	MATERIAL NO. 75757-1020	DOCUMENT NO. AS-75757-102	APPLICATION SPEC 1X2 MX150 HEADER SHROUD DETAILS															
			MOLEX INCORPORATED			SHEET NO. 2 OF 2															
			THIS DRAWING CONTAINS INFORMATION THAT IS PROPRIETARY TO MOLEX INCORPORATED AND SHOULD NOT BE USED WITHOUT WRITTEN PERMISSION																		



RECOMMENDED PCB LAYOUT

NOTES:

1. TERMINAL MAT'L: ALLOY C26000, CARTRIDGE BRASS
2. WAFER MAT'L: 30% GLASS FILLED LCP, 94V-0, COLOR BLACK.
3. TERMINAL PLATING:
 - OPTION 1 - 2.5µm MIN MATTE TIN OVERALL OVER 1.50µm MIN. NICKEL OVERALL
 - OPTION 2 - 1.50µm MIN. NICKEL OVERALL 4.00µm MIN SELECT MATTE TIN PC TAIL AREA 0.05µm MIN SELECT GOLD CONTACT AREA
 - OPTION 3 - 1.50µm MIN. NICKEL OVERALL 4.00µm MIN SELECT MATTE TIN PC TAIL AREA 0.50µm MIN. SELECT GOLD CONTACT AREA
 - OPTION 4 - 1.5µm MIN MATTE TIN OVERALL OVER 1.50µm MIN. NICKEL OVERALL
4. HEADER ASSEMBLIES ARE TUBE PACKAGED PER PK-36518-342.
5. MAXIMUM SKIVING ALLOWED: 1mm.
6. MAXIMUM CUT-OFF BURR ALLOWED: 0.30mm.
7. MAXIMUM DIG MARK ALLOWED: 0.45mm.
8. ALL THE POSITIONAL TOLERANCES SHOULD BE MEASURED AT TIP OF THE TERMINALS.
9. POSITION TOLERANCE OF PIN AT MATING SIDE SHOULD BE MAINTAINED AT 0.3MM IN THE FINAL MODULE BY CUSTOMER.
10. (G) DENOTES DIMENSIONS THAT CAN BE QUALIFIED WITH GAUGE
11. BLADE GEOMETRY DOES NOT CONFORM TO USCAR SPECIFICATIONS
12. PLEASE REFER USCAR WEBSITE FOR 1.5mm DIRECT CONNECT INTERFACE (SHROUD) DETAILS
13. PLEASE REFER SD-33472-0001 FOR 2 X 10 SHROUD DETAILS

CKT SIZE	PLATING OPTION	TOOLED		TOOLED		TOOLED		TOOLED		STATUS									
		MATERIAL NUMBER	"F" DIM	"C" DIM	MATERIAL NUMBER	"F" DIM	"C" DIM	MATERIAL NUMBER	"F" DIM	"C" DIM	"A" DIM	"B" DIM							
1 x 2		1	75757-0121	11.20	3.05	1	75757-0122	11.20	4.75	1	75757-0123	16.09	3.05	1	75757-0124	13.35	3.05	7	3.5
		2	75757-0221			2	75757-0222			2	75757-0223			2	75757-0224				
		3	75757-0321			3	75757-0322			3	75757-0323			3	75757-0324				
		4	75757-0421			4	75757-0422			4	75757-0423			4	75757-0424				
1 x 3		1	75757-0131	11.20	3.05	1	75757-0132	11.20	4.75	1	75757-0133	16.09	3.05	1	75757-0134	13.35	3.05	10.5	7.00
		2	75757-0231			2	75757-0232			2	75757-0233			2	75757-0234				
		3	75757-0331			3	75757-0332			3	75757-0333			3	75757-0334				
		4	75757-0431			4	75757-0432			4	75757-0433			4	75757-0434				
1 x 4		1	75757-0141	11.20	3.05	1	75757-0142	11.20	4.75	1	75757-0143	16.09	3.05	1	75757-0144	13.35	3.05	14.0	10.50
		2	75757-0241			2	75757-0242			2	75757-0243			2	75757-0244				
		3	75757-0341			3	75757-0342			3	75757-0343			3	75757-0344				
		4	75757-0441			4	75757-0442			4	75757-0443			4	75757-0444				
1 x 5		1	75757-0151	11.20	3.05	1	75757-0152	11.20	4.75	1	75757-0153	16.09	3.05	1	75757-0154	13.35	3.05	17.5	14.00
		2	75757-0251			2	75757-0252			2	75757-0253			2	75757-0254				
		3	75757-0351			3	75757-0352			3	75757-0353			3	75757-0354				
		4	75757-0451			4	75757-0452			4	75757-0453			4	75757-0454				
1 x 6		1	75757-0161	11.20	3.05	1	75757-0162	11.20	4.75	1	75757-0163	16.09	3.05	1	75757-0164	13.35	3.05	21.0	17.50
		2	75757-0261			2	75757-0262			2	75757-0263			2	75757-0264				
		3	75757-0361			3	75757-0362			3	75757-0363			3	75757-0364				
		4	75757-0461			4	75757-0462			4	75757-0463			4	75757-0464				

SYMBOLS	THIS DRAWING CONTAINS INFORMATION THAT IS PROPRIETARY TO MOLEX ELECTRONIC TECHNOLOGIES, LLC AND SHOULD NOT BE USED WITHOUT WRITTEN PERMISSION											
	DIMENSION UNITS	SCALE	CURRENT REV DESC:									
mm	4:1											
GENERAL TOLERANCES (UNLESS SPECIFIED)	ANGULAR TOL ± 0.5°		EC NO: 604928							MX150 SINGLE ROW UNSHROUDED VERTICAL HEADER ASSEMBLY		
4 PLACES ±			DRWN: RYELAVATTITH 2018/08/16									
3 PLACES ±			CHK'D: MYOUNG01 2018/09/26							PRODUCT CUSTOMER DRAWING		
2 PLACES ± 0.13			APPR: RBAUMAN 2018/09/27									
1 PLACE ± 0.25			INITIAL REVISION:							SD-75757-010		
0 PLACES ±			DRWN: TMCLELL 2006/01/27									
DRAFT WHERE APPLICABLE MUST REMAIN WITHIN DIMENSIONS	THIRD ANGLE PROJECTION	DRAWING	SERIES	MATERIAL NUMBER	CUSTOMER	SHEET NUMBER						
		A2-SIZE	75757	SEE TABLE	GENERAL MARKET	1 OF 1						