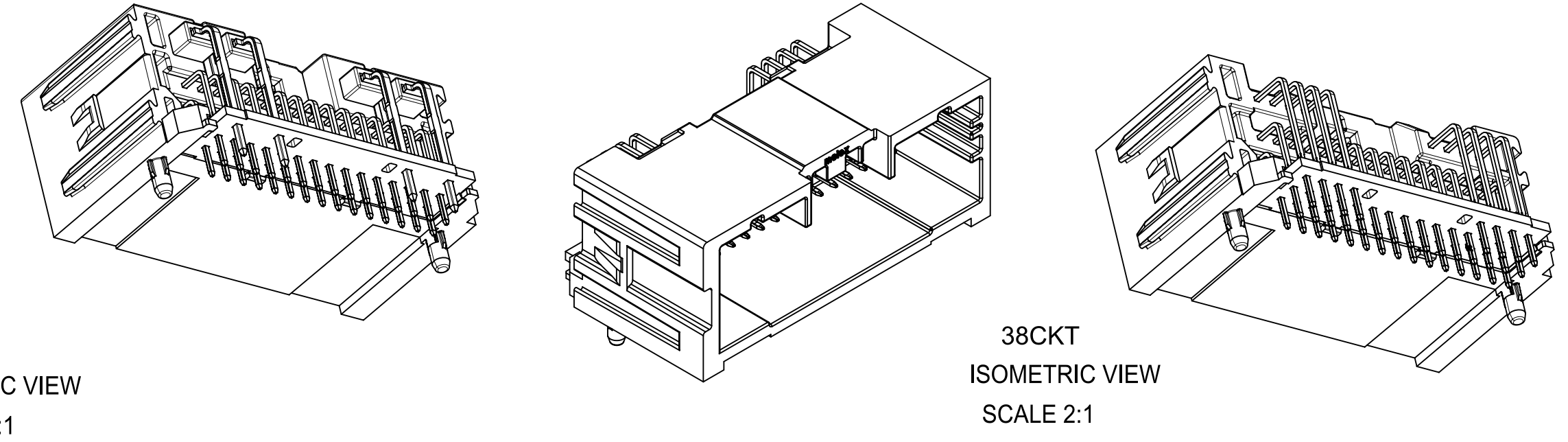
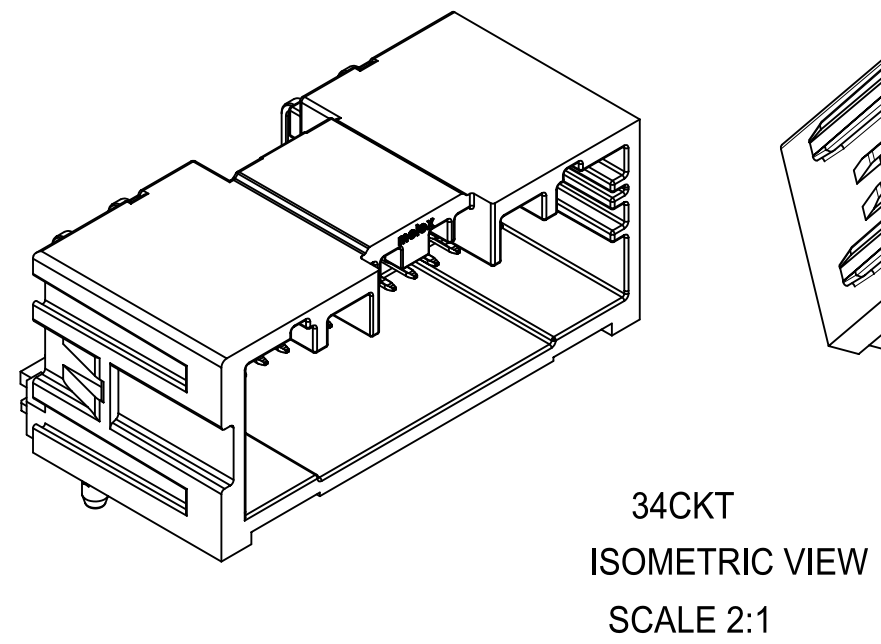


| TABLE OF CONTENTS |  |
|-------------------|--|
| SHEET NO.         | SHEET DESCRIPTION  |
| 1                 | NOTES, INSPECTION BALLOON NUMBER LOG, NOMINAL DIMENSION RANGE LIST, REV.COLUMN, HEADER ASSEMBLY LIST, ISOMETRIC VIEW |
| 2                 | 34&38CKT POLARIZATION OPTION VIEW, HB/V0 HEADER DIFFERENCE VIEW  |
| 3                 | PIN INSERTION DIRECTION VIEW PAP HOLE SHAPE VIEW   |
| 4                 | DETAIL DIMENSION VIEW  |
| 5                 | DETAIL DIMENSION VIEW  |
| 6                 | REFERENCE PCB LAYOUT   |



NOTES: VALID UNLESS OTHERWISE SPECIFIED  
1. GENERAL:  
a. CONNECTOR HEADER MUST BE VALIDATED TO THE FOLLOWING FUNCTIONAL REQUIREMENTS:  
HB VALIDATION SPECIFICATION: GMW3191 JUNE 2012  
V0 VALIDATION SPECIFICATION: USCAR-2 REV6  
SOLDERABILITY: SMES-152

b. APPLICATION SPECIFICATION: AS-34959-001  
TEST SUMMARY:  
HB: TS-34961-001  
V0: 2133550000-TS  
PRODUCT SPECIFICATION:  
HB: PS-34959-001  
V0: 2133550000-PS  
COSMETIC SPECIFICATION: PS-45499-002 Class B  
GEOMETRIC TOLERANCING: SEE DIN 16901 TABLE  
MATES WITH: SD-34959-030  
PACKAGING SPECIFICATION: SEE TABLE.

2. DESIGN: MATERIALS:  
a. SHROUD (PLASTIC HOUSING):  
HB RESIN - SPS  
V0 RESIN - SPS

b. PIN ALIGNMENT PLATE:  
HB RESIN - SPS  
V0 RESIN - SPS

c. 0.50MM BLADES:  
BASE MATERIAL: BRASS  
PLATING TYPE: AS NOTED

d. 1.20MM BLADES:  
BASE MATERIAL: BRASS  
PLATING TYPE: AS NOTED

3. PLATING REQUIREMENTS:

a. UNDERPLATING - OVERALL NICKEL

b. OVERPLATING - OVERALL REFLOWED TIN

4. CROSS-HATCHED AREAS MAKE CONTACT WITH PCB

MINI50 34/38CKT RIGHT ANGLE HEADER ASSEMBLY LIST

| MATERIAL NUMBER             |                             |                             | CKT SIZE | PIN INSERTION DIRCTION | PAP HOLE SHAPE | FLAMMABILITY UL94 | POLARIZATION | COLOR   | STATUS    |
|-----------------------------|-----------------------------|-----------------------------|----------|------------------------|----------------|-------------------|--------------|---------|-----------|
| TRAY PACKAGING PK-31302-070 | TUBE PACKAGING PK-31301-688 | TAPE AND REEL PK-47799-0001 |          |                        |                |                   |              |         |           |
| 34961-0340                  | 34961-7340                  | 34961-8340                  | 34       | PCB TO MATING          | ROUND          | HB                | A            | BLACK   | OBSOLETED |
| 34961-0341                  | 34961-7341                  | 34961-8341                  | 34       | PCB TO MATING          | ROUND          | HB                | B            | GREY    | OBSOLETED |
| 34961-0342                  | 34961-7342                  | 34961-8342                  | 34       | PCB TO MATING          | ROUND          | HB                | C            | DK GREY | OBSOLETED |
| 34961-0380                  | 34961-7380                  | 34961-8380                  | 38       | PCB TO MATING          | ROUND          | HB                | A            | BLACK   | OBSOLETED |
| 34961-0381                  | 34961-7381                  | 34961-8381                  | 38       | PCB TO MATING          | ROUND          | HB                | B            | GREY    | OBSOLETED |
| 34961-0382                  | 34961-7382                  | 34961-8382                  | 38       | PCB TO MATING          | ROUND          | HB                | C            | DK GREY | OBSOLETED |
| 34961-0383                  | 34961-7383                  | 34961-8383                  | 38       | PCB TO MATING          | ROUND          | HB                | UPDATED A    | BLACK   | OBSOLETED |
| 34961-0384                  | 34961-7384                  | 34961-8384                  | 38       | PCB TO MATING          | ROUND          | HB                | UPDATED B    | GREY    | OBSOLETED |
| 34961-0385                  | 34961-7385                  | 34961-8385                  | 38       | PCB TO MATING          | ROUND          | HB                | UPDATED C    | DK GREY | OBSOLETED |
| 34961-0343                  | 34961-7343                  | 34961-8343                  | 34       | MATING TO PCB          | SQUARE         | HB                | A            | BLACK   | SALEABLE  |
| 34961-0344                  | 34961-7344                  | 34961-8344                  | 34       | MATING TO PCB          | SQUARE         | HB                | B            | GREY    | SALEABLE  |
| 34961-0345                  | 34961-7345                  | 34961-8345                  | 34       | MATING TO PCB          | SQUARE         | HB                | C            | DK GREY | SALEABLE  |
| 34961-0386                  | 34961-7386                  | 34961-8386                  | 38       | MATING TO PCB          | SQUARE         | HB                | UPDATED A    | BLACK   | SALEABLE  |
| 34961-0387                  | 34961-7387                  | 34961-8387                  | 38       | MATING TO PCB          | SQUARE         | HB                | UPDATED B    | GREY    | SALEABLE  |
| 34961-0388                  | 34961-7388                  | 34961-8388                  | 38       | MATING TO PCB          | SQUARE         | HB                | UPDATED C    | DK GREY | SALEABLE  |
| 2133550340                  | 2133557340                  | 2133558340                  | 34       | PCB TO MATING          | ROUND          | V0                | A            | BLACK   | OBSOLETED |
| 2133550341                  | 2133557341                  | 2133558341                  | 34       | PCB TO MATING          | ROUND          | V0                | B            | GREY    | OBSOLETED |
| 2133550342                  | 2133557342                  | 2133558342                  | 34       | PCB TO MATING          | ROUND          | V0                | C            | DK GREY | OBSOLETED |
| 2133550380                  | 2133557380                  | 2133558380                  | 38       | PCB TO MATING          | ROUND          | V0                | UPDATED A    | BLACK   | OBSOLETED |
| 2133550381                  | 2133557381                  | 2133558381                  | 38       | PCB TO MATING          | ROUND          | V0                | UPDATED B    | GREY    | OBSOLETED |
| 2133550382                  | 2133557382                  | 2133558382                  | 38       | PCB TO MATING          | ROUND          | V0                | UPDATED C    | DK GREY | OBSOLETED |
| 2133550343                  | 2133557343                  | 2133558343                  | 34       | MATING TO PCB          | SQUARE         | V0                | A            | BLACK   | SALEABLE  |
| 2133550344                  | 2133557344                  | 2133558344                  | 34       | MATING TO PCB          | SQUARE         | V0                | B            | GREY    | SALEABLE  |
| 2133550345                  | 2133557345                  | 2133558345                  | 34       | MATING TO PCB          | SQUARE         | V0                | C            | DK GREY | SALEABLE  |
| 2133550383                  | 2133557383                  | 2133558383                  | 38       | MATING TO PCB          | SQUARE         | V0                | UPDATED A    | BLACK   | SALEABLE  |
| 2133550384                  | 2133557384                  | 2133558384                  | 38       | MATING TO PCB          | SQUARE         | V0                | UPDATED B    | GREY    | SALEABLE  |
| 2133550385                  | 2133557385                  | 2133558385                  | 38       | MATING TO PCB          | SQUARE         | V0                | UPDATED C    | DK GREY | SALEABLE  |

|     |  |              |
|-----|--|--------------|
| K1  | SHEET 1: UPDATED PRODUCT STATUS IN ASSEMBLY LIST TABLE<br>SHEET 2: UPDATED 38CKT UPDATED KEY B & KEY C VIEWS   | CO-000002963 |
| K   | SHEET 5: ADDED DIM28 TO DIM37<br>ALL SHEET: UPDATED PRODUCT VIEWS  | CO-000000686 |
| J6  | CREATED NEW REVISION TO UPLOAD DRAWING IN MDS SYSTEM   | CO-000000910 |
| J5  | SHEET 1: ADDED NEW PART NUMBER IN TABLE<br>SHEET 1: ADDED NOTE 4<br>SHEET 3: ADDED SHEET TO SHOW PIN INSERTION DIRECTION VIEW AND PAP HOLE SHAPE VIEW  | CO-000000910 |
| J4  | SHEET 3: UPDATED BALLOON NUMBER  | 668374       |
| J3  | 1. SHEET 1: UPDATED NOTES INFORMATION<br>2. SHEET 3: ADDED "BEFORE SOLDERING" NOTE TO DIM 3<br>3. SHEET 3: ADDED DIM 3A  | 663659       |
| J2  | 1. SHEET 1: UPDATED NOTES INFORMATION<br>2. SHEET 1: UPDATED V0 PRODUCT STATUS<br>3. SHEET 4: DIM 3: 10.77±0.18 WAS 10.77(+0.13/-0.08)<br>4. SHEET 5: REMOVED BALLOON NUMBER FOR DIMENSION OF PCB LAYOUT   | 658910       |
| J1  | 1. UPDATED BELOW PART NUMBER STATUS TO OBSOLETED:<br>34961-0380, 34961-7380, 34961-8380<br>34961-0381, 34961-7381, 34961-8381<br>34961-0382, 34961-7382, 34961-8382<br>2. UPDATED BELOW V0 PART NUMBER STATUS TO SALEABLE:<br>2133550340, 2133557340, 2133558340<br>3. ADDED V0 VALIDATION SPECIFICATION & V0 PRODUCT SPECIFICATION INFORMATION IN NOTES   | 631858       |
| J   | 1. ADDED V0 NEW PART NUMBER IN SHEET 1:<br>2133550340, 2133550341, 2133550342, 2133550380, 2133550381, 2133550382<br>2133557340, 2133557341, 2133557342, 2133557380, 2133557381, 2133557382<br>2133558340, 2133558341, 2133558342, 2133558380, 2133558381, 2133558382<br>2. ADDED SHEET 2 TO SHOW 34&38CKT POLARIZATION OPTION & HB / V0 VERSION DIFFERENCE<br>3. ADDED V0 PLASTIC MATERIAL INFORMATION IN NOTES | 626237       |
| H1  | 1. UPDATED NEWEST VIEW OF THE POLARIZATION OPTION UPDATED A & B C.<br>2. ADDED DIM1A, DIM 3A, DIM 6A, DIM 7A.<br>3. UPDATED PRODUCT STATUS.<br>4. UPDATED DIM 26: 0.4±0.03 WAS 0.4±0.10  | 609559       |
| H   | ADDED THE FOLLOW ITEMS TO CUSTOMER DRAWING:<br>1. ADDED DATUM F, DATUM G AND DATUM H, SEE SHEET 2 AND SHEET 3.<br>2. ADDED NEW UPWARD VIEW FOR 38WAY HEADER ASSEM, SEE SHEET 2.<br>3. ADDED NEW VIEW SECTION X-X, SECTION Y-Y, SECTION Z-Z AND SECTION W-W, SEE SHEET 3.   | 10904363     |
| G   | ADDED NEW VIEW OF UPDATED POL A & B C, SEE SHEET 1.<br>ADDED NEW P/N: 34961-0383 \ 34961-0384 \ 34961-0385 \ 34961-7383 \ 34961-7384 \ 34961-7385 \ 34961-8383 \ 34961-8384 \ 34961-8385 IN THE BOM ON SHEET 1.<br>ADDED PRODUCT STATUS IN BOM.  | 10885609     |
| REV | REV DESCRIPTION  | ECN SAP NO.  |

| INSPECTION BALLOON NUMBER LOG |
|-------------------------------|
| PER DRAWING REVISION: K1      |
| LAST BALLOON NUMBER USED: 37  |
| ADDED BALLOON NUMBERS:        |
| REMOVED BALLOON NUMBERS:      |

| DIN 16901  | CODE LETTER | NOMINAL DIMENSION RANGE |       |       |       |       |       |       |       |       |       |       |       |       |       |
|--|-------------|-------------------------|-------|-------|-------|-------|-------|-------|-------|-------|-------|-------|-------|-------|-------|
|  |             | OVER UP TO              | 0     | 1     | 3     | 6     | 10    | 15    | 22    | 30    | 40    | 53    | 70    | 90    | 120   |
| PRECISION ENGINEERING                                    | A           |                         | ±0.10 | ±0.12 | ±0.14 | ±0.16 | ±0.20 | ±0.22 | ±0.24 | ±0.26 | ±0.28 | ±0.31 | ±0.35 | ±0.40 | ±0.50 |
|  | B           |                         | ±0.05 | ±0.06 | ±0.07 | ±0.08 | ±0.10 | ±0.12 | ±0.14 | ±0.16 | ±0.18 | ±0.21 | ±0.25 | ±0.30 | ±0.40 |
| A: FOR NON-MOLD RELATED DIMENSIONS (ACROSS PARTING LINE) |             |                         |       |       |       |       |       |       |       |       |       |       |       |       |       |
| B: FOR MOLD RELATED DIMENSIONS (WITHIN MOLD COMPONENTS)  |             |                         |       |       |       |       |       |       |       |       |       |       |       |       |       |

|  |   |                                       |  |                          |
|--|---|---------------------------------------|--|--------------------------|
| FUNCTIONAL SYMBOLS                                   | THIS DRAWING CONTAINS INFORMATION THAT IS PROPRIETARY TO MOLEX ELECTRONIC TECHNOLOGIES, LLC AND SHOULD NOT BE USED WITHOUT WRITTEN PERMISSION |                                       | CURRENT REV DESC: REFER TO REVISION COLUMN                                 |                          |
|  | FA = 0  | mm                                    | SCALE  | 2:1                      |
| DIVISIONAL SYMBOLS                                   | FC = 0  | GENERAL TOLERANCES (UNLESS SPECIFIED) |  |                          |
|  | FD = 0  | ANGULAR TOL ± 0.5°                    |  |                          |
| DIVISIONAL SYMBOLS                                   | 4 PLACES  | ±                                     | STATUS: Production<br>DRWN: Shanks Wu<br>CHK'D: Ringo Hu<br>APPR: Ringo Hu | 2023-04-03<br>2023-05-19 |
|  | 3 PLACES  | ±                                     |  |                          |
|  | 2 PLACES  | ±                                     |  |                          |
|  | 1 PLACE   | ±                                     |  |                          |
|  | 0 PLACES  | ±                                     |  |                          |
| DRAFT WHERE APPLICABLE MUST REMAIN WITHIN DIMENSIONS |   | THIRD ANGLE PROJECTION                | DRAWING  | SERIES                   |
|  |   | D-SIZE                                | 34961  |                          |
|  |   | MATERIAL NUMBER                       | CUSTOMER   | SHEET NUMBER             |
|  |   | SD-34961-030                          | GENERAL MARKET   | 1 OF 6                   |

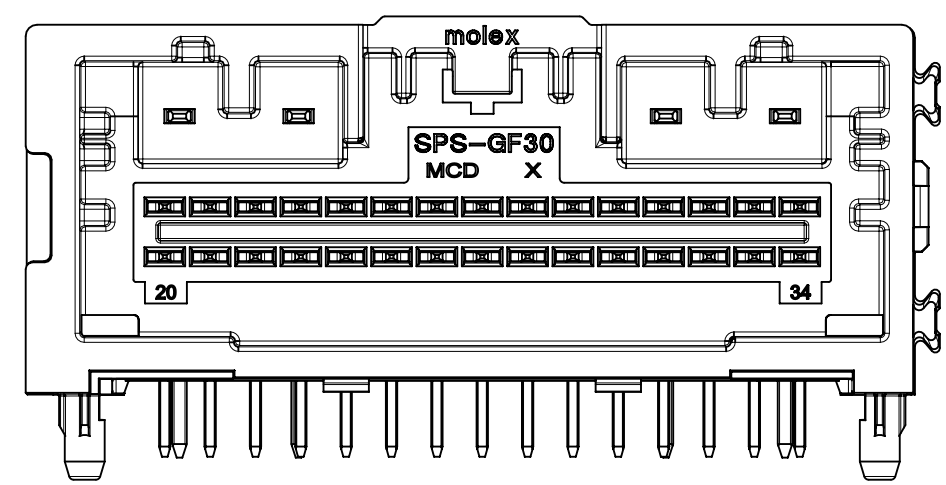
**molex**

34 & 38CKT MINI50  
RIGHT ANGLE HEADER ASSEMBLY SALES DRAWING

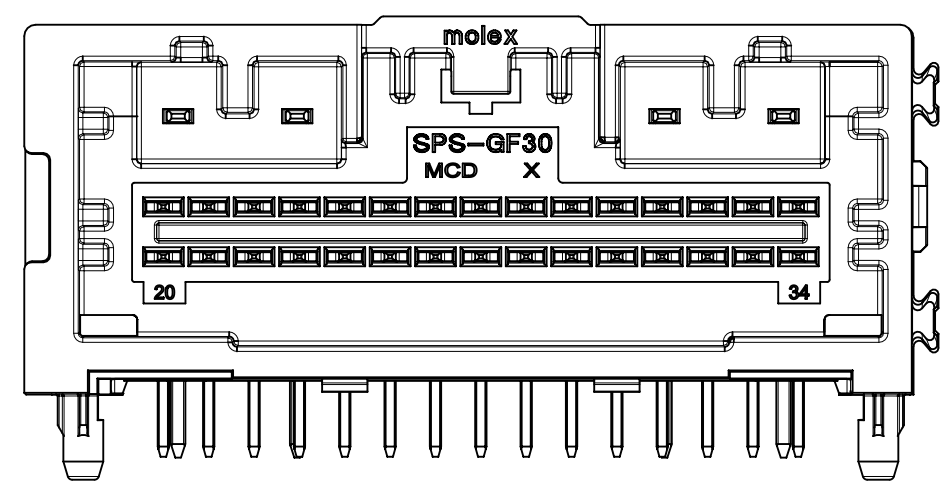
PRODUCT SALES DRAWING

DOCUMENT NUMBER: SD-34961-030  
DOC TYPE: PSD  
DOC PART: 001  
REVISION: K1

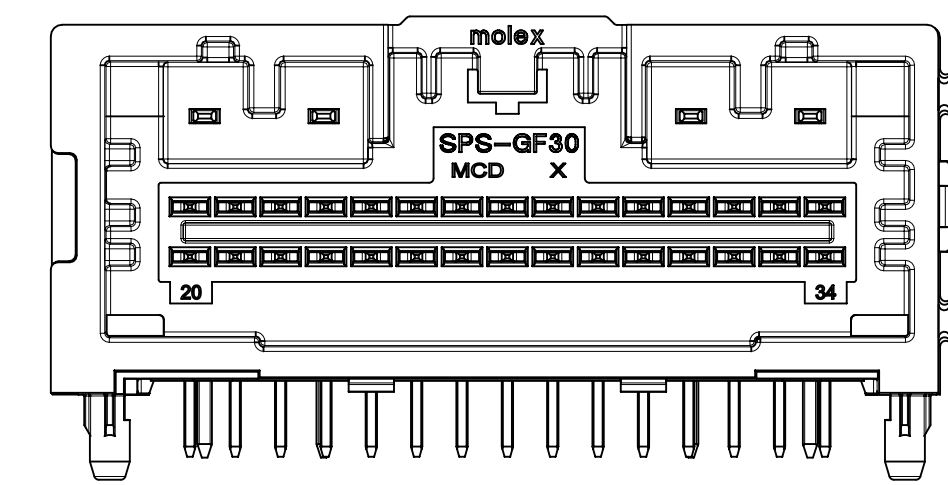
| TABLE OF CONTENTS |   |
|-------------------|---|
| SHEET NO.         | SHEET DESCRIPTION   |
| 2                 | 34&38CKT POLARIZATION OPTION VIEW<br>HB/V0 HEADER DIFFERENCE VIEW |



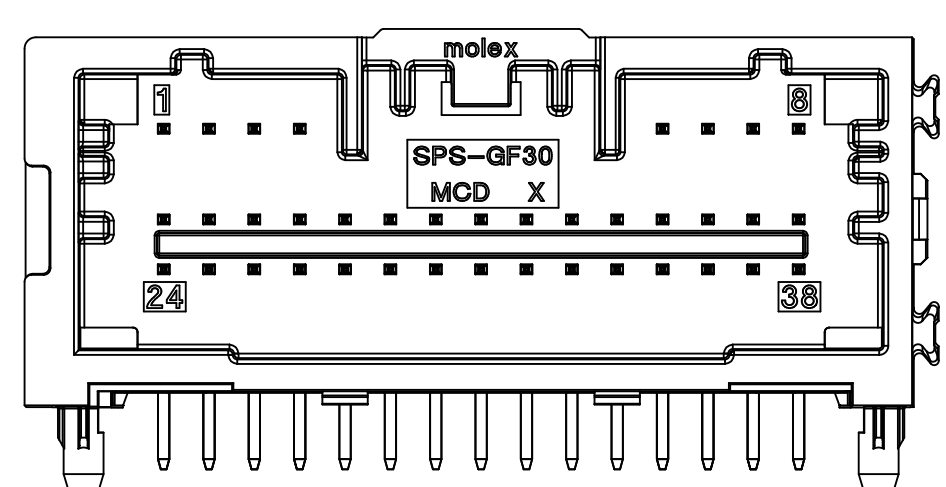
34CKT POLARIZATION OPTION A



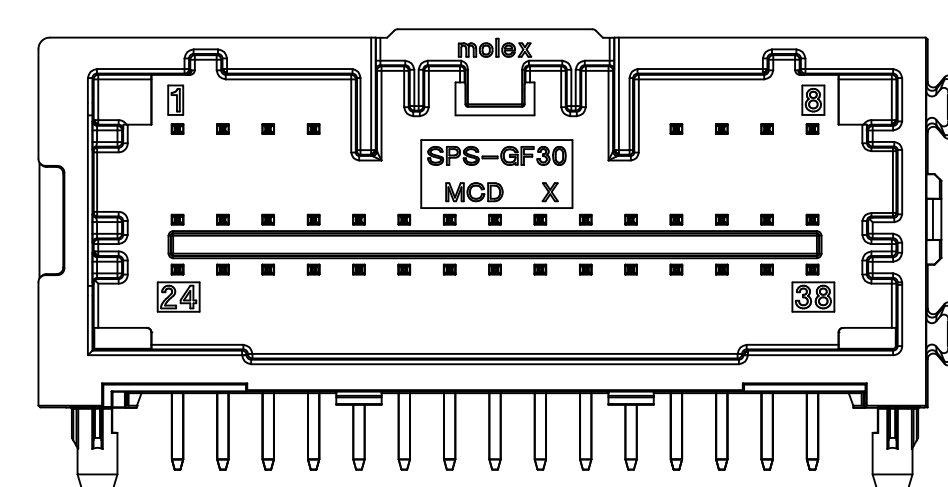
34CKT POLARIZATION OPTION B



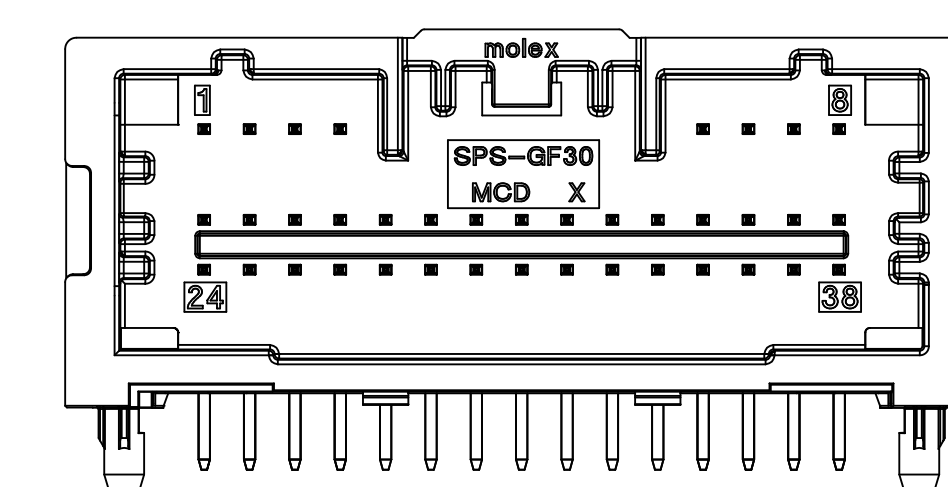
34CKT POLARIZATION OPTION C



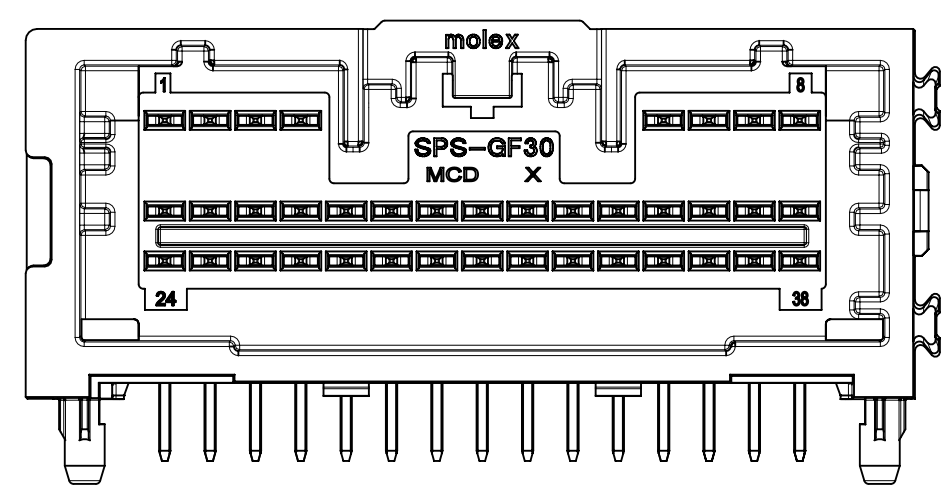
38CKT POLARIZATION OPTION A  
(OBSOLETE)



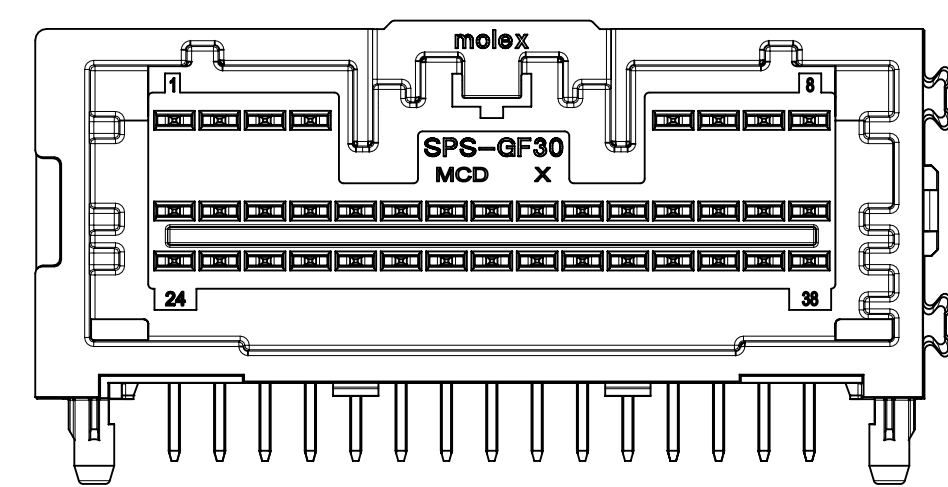
38CKT POLARIZATION OPTION B  
(OBSOLETE)



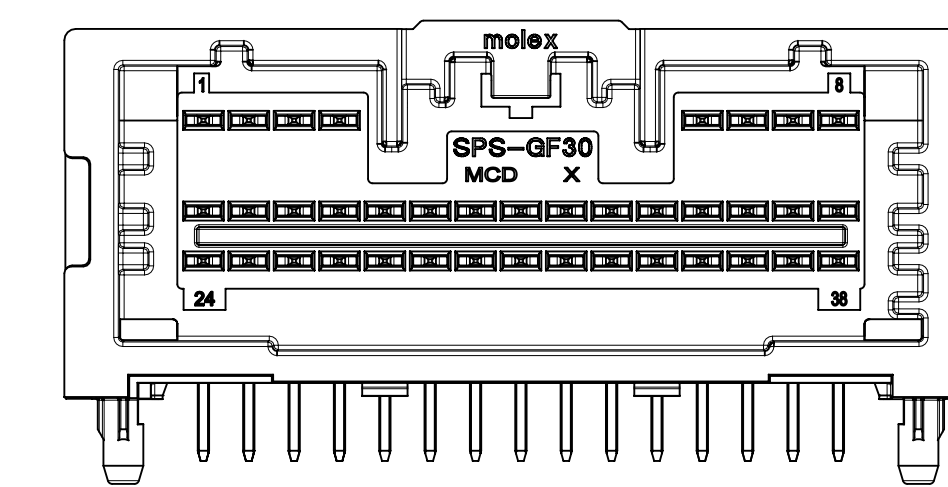
38CKT POLARIZATION OPTION C  
(OBSOLETE)



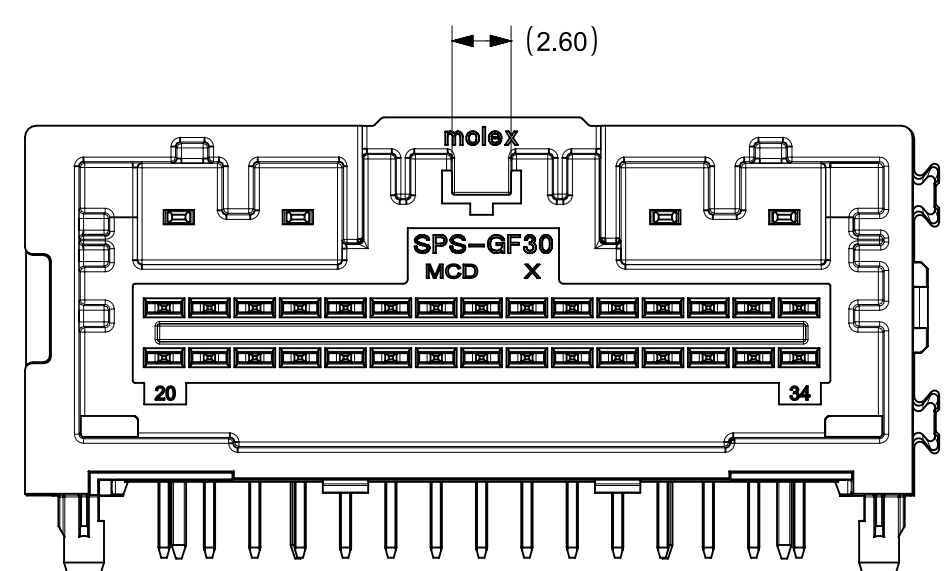
38CKT POLARIZATION OPTION UPDATED A



38CKT POLARIZATION OPTION UPDATED B

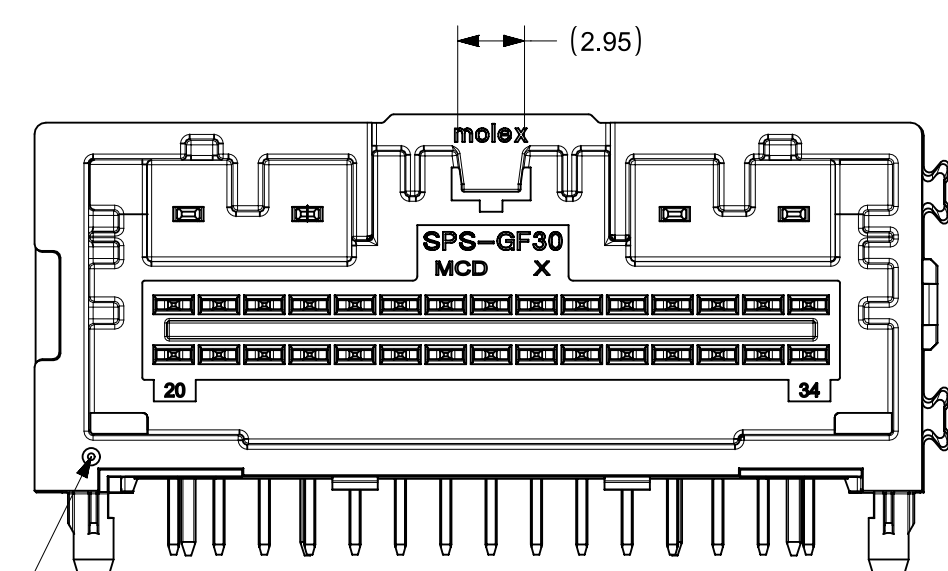


38CKT POLARIZATION OPTION UPDATED C



HB P/Ns: 34961XXXX  
APPLIES TO ALL CKT SIZES, USE 34CKT AS SHOWN

HB / V0 VERSION DIFFERENCE



DEPRESSION FEATURE ADDED TO V0 PART TO DISTINGUISH FROM HB PART

HOLE FEATURE ADDED TO V0 PART TO DISTINGUISH FROM HB PART

V0 P/Ns: 213355XXXX  
APPLIES TO ALL CKT SIZES, USE 34CKT AS SHOWN

|   |   |                        |  |                                |
|---|---|------------------------|--|--------------------------------|
| FUNCTIONAL SYMBOLS<br>$F_A = 0$<br>$F_C = 0$<br>$F_D = 0$ | THIS DRAWING CONTAINS INFORMATION THAT IS PROPRIETARY TO MOLEX ELECTRONIC TECHNOLOGIES, LLC AND SHOULD NOT BE USED WITHOUT WRITTEN PERMISSION |                        | CURRENT REV DESC: REFER TO REVISION COLUMN |                                |
|   | DIMENSION UNITS   | SCALE                  |  |                                |
|   | mm  | 3:1                    |  |                                |
|   | GENERAL TOLERANCES (UNLESS SPECIFIED)   |                        |  |                                |
| ANGULAR TOL   |   | ±                      | 0.5°                                       |                                |
| 4 PLACES  |   | ±                      |  |                                |
| 3 PLACES  |   | ±                      |  |                                |
| 2 PLACES  |   | ±                      |  |                                |
| 1 PLACE   |   | ±                      |  |                                |
| 0 PLACES  |   | ±                      |  |                                |
| DRAFT WHERE APPLICABLE MUST REMAIN WITHIN DIMENSIONS      |   | THIRD ANGLE PROJECTION | DRAWING                                    | SERIES                         |
|   |   |                        | D-SIZE                                     | 34961                          |
|   |   |                        | MATERIAL NUMBER                            | CUSTOMER                       |
|   |   |                        | SD-34961-030                               | GENERAL MARKET                 |
|   |   |                        | DOCUMENT NUMBER                            | DOC TYPE   DOC PART   REVISION |
|   |   |                        | PSD  | 001   K1                       |
|   |   |                        | STATUS: Production                         | SHEET NUMBER                   |
|   |   |                        | DRWN: Shanks Wu                            | 2 OF 6                         |
|   |   |                        | CHK'D: Ringo Hu                            |                                |
|   |   |                        | APPR: Ringo Hu                             |                                |
|   |   |                        | 2023-04-03                                 |                                |
|   |   |                        | 2023-05-19                                 |                                |

**molex**

34 & 38CKT MINI50  
RIGHT ANGLE HEADER ASSEMBLY SALES DRAWING

PRODUCT SALES DRAWING

DOCUMENT NUMBER | DOC TYPE | DOC PART | REVISION

SD-34961-030 | PSD | 001 | K1

MATERIAL NUMBER | CUSTOMER

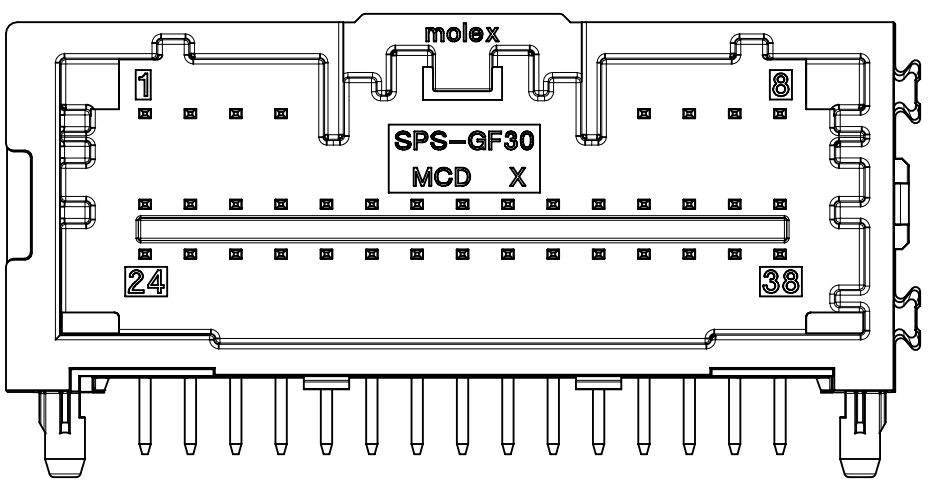
GENERAL MARKET

SHEET NUMBER

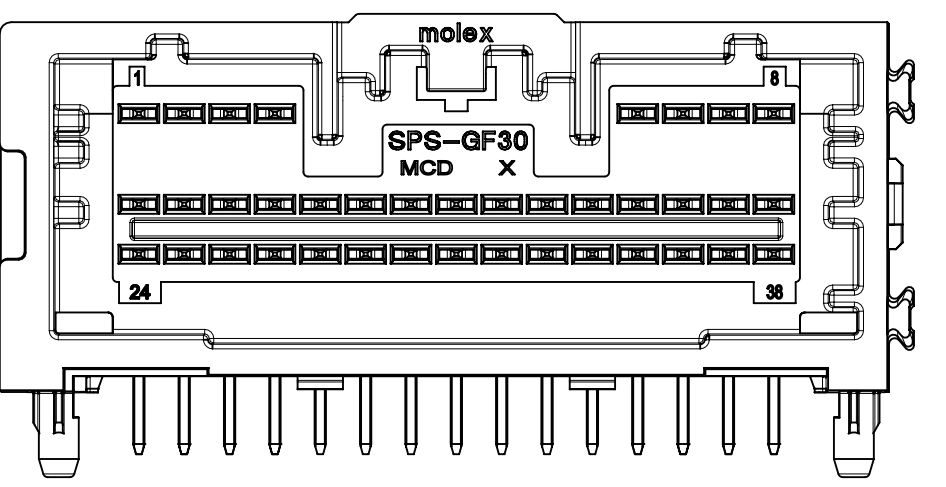
2 OF 6

| TABLE OF CONTENTS |   |
|-------------------|---|
| SHEET NO.         | SHEET DESCRIPTION                                   |
| 3                 | PIN INSERTION DIRECTION VIEW<br>PAP HOLE SHAPE VIEW |

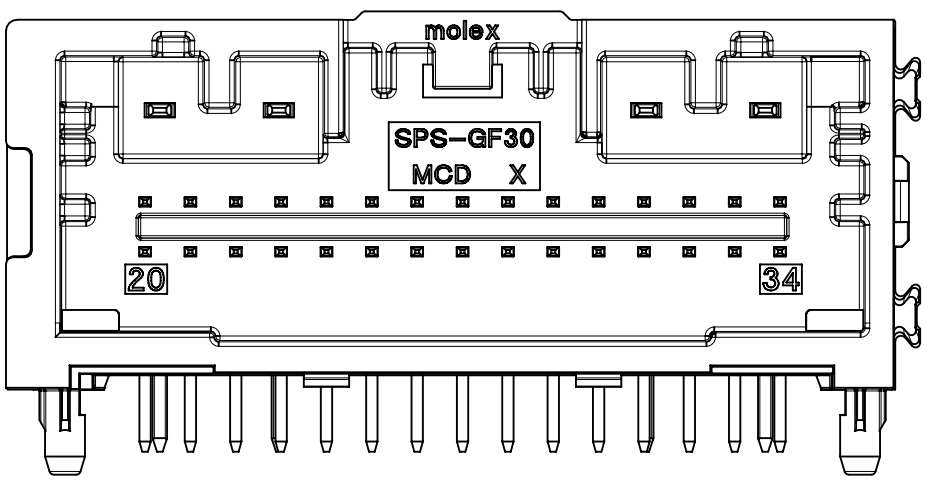
PIN INSERTION DIRECTION VIEW



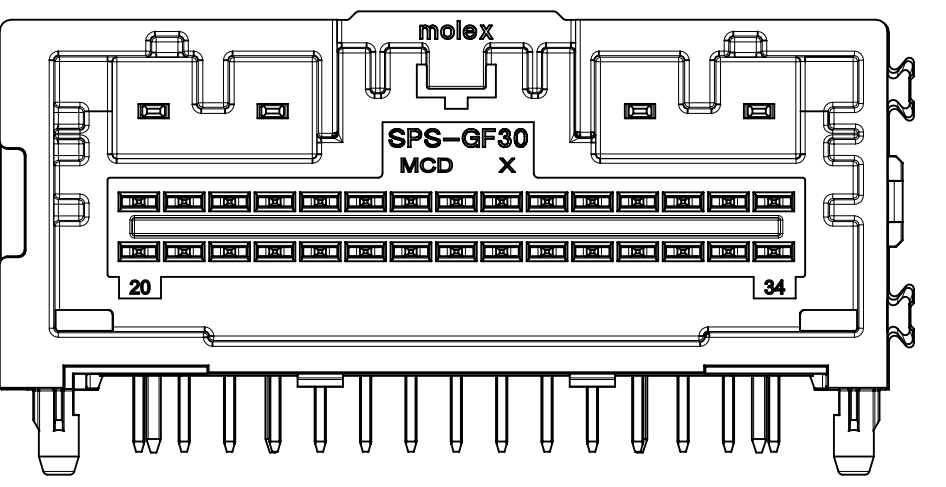
38CKT PIN INSERTION DIRECTION  
PCB SIDE TO MATING SIDE



38CKT PIN INSERTION DIRECTION  
MATING SIDE TO PCB SIDE

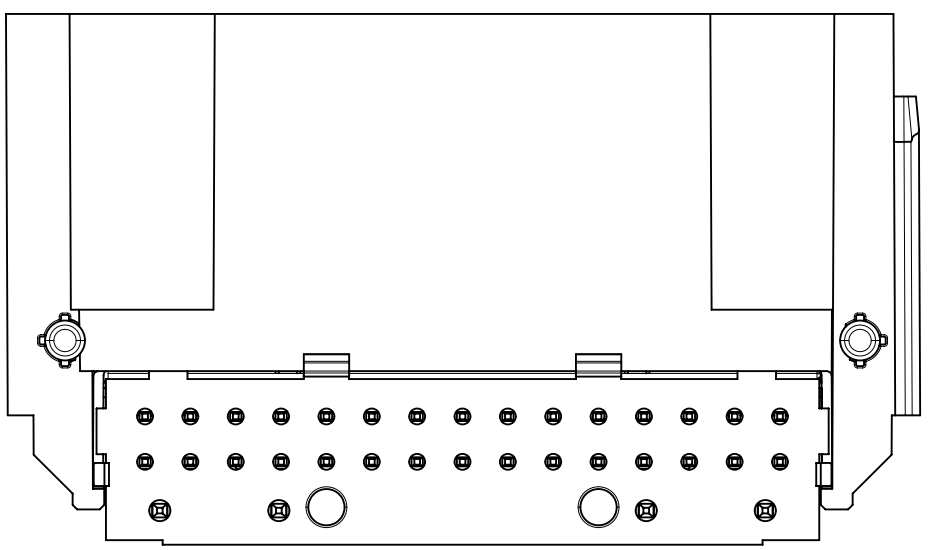


34CKT PIN INSERTION DIRECTION  
PCB SIDE TO MATING SIDE

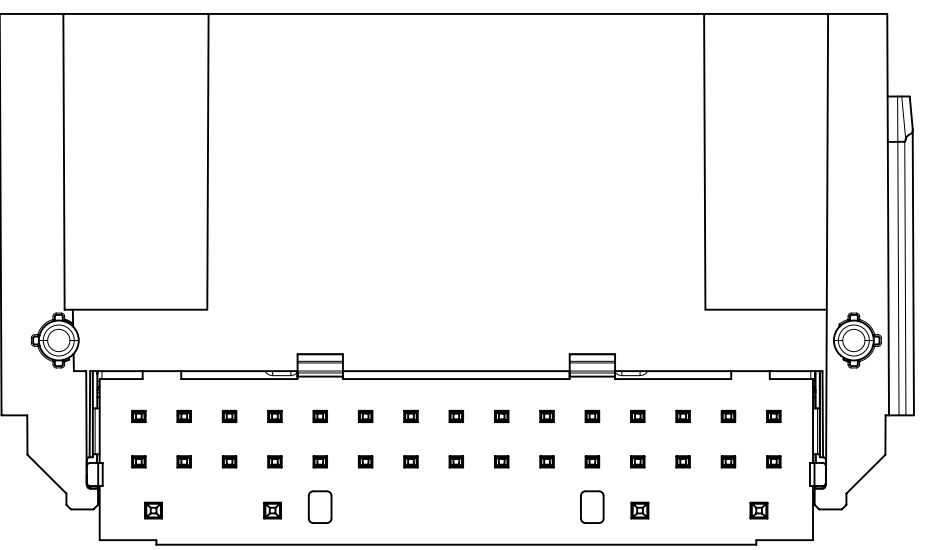


34CKT PIN INSERTION DIRECTION  
MATING SIDE TO PCB SIDE

PAP HOLE SHAPE VIEW



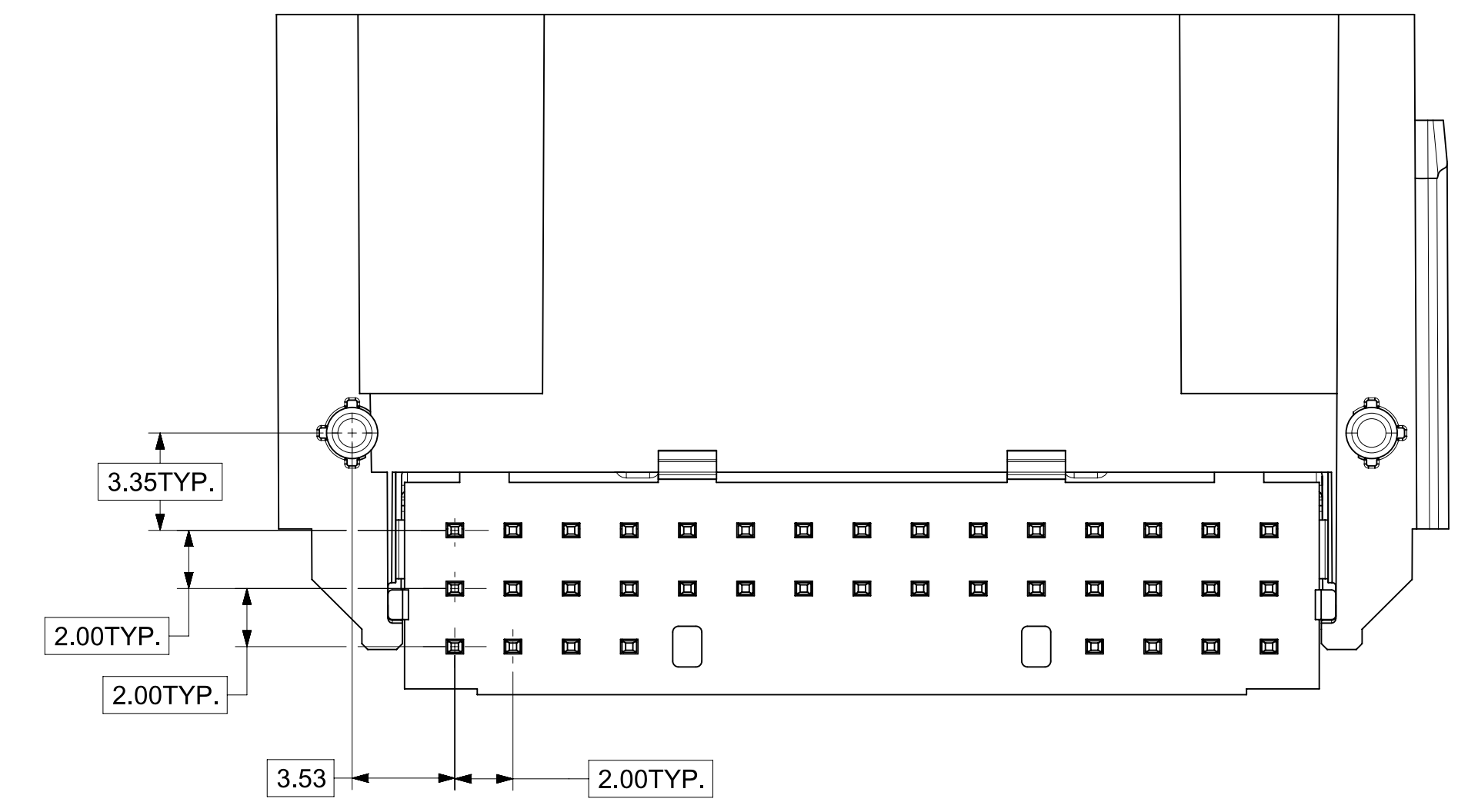
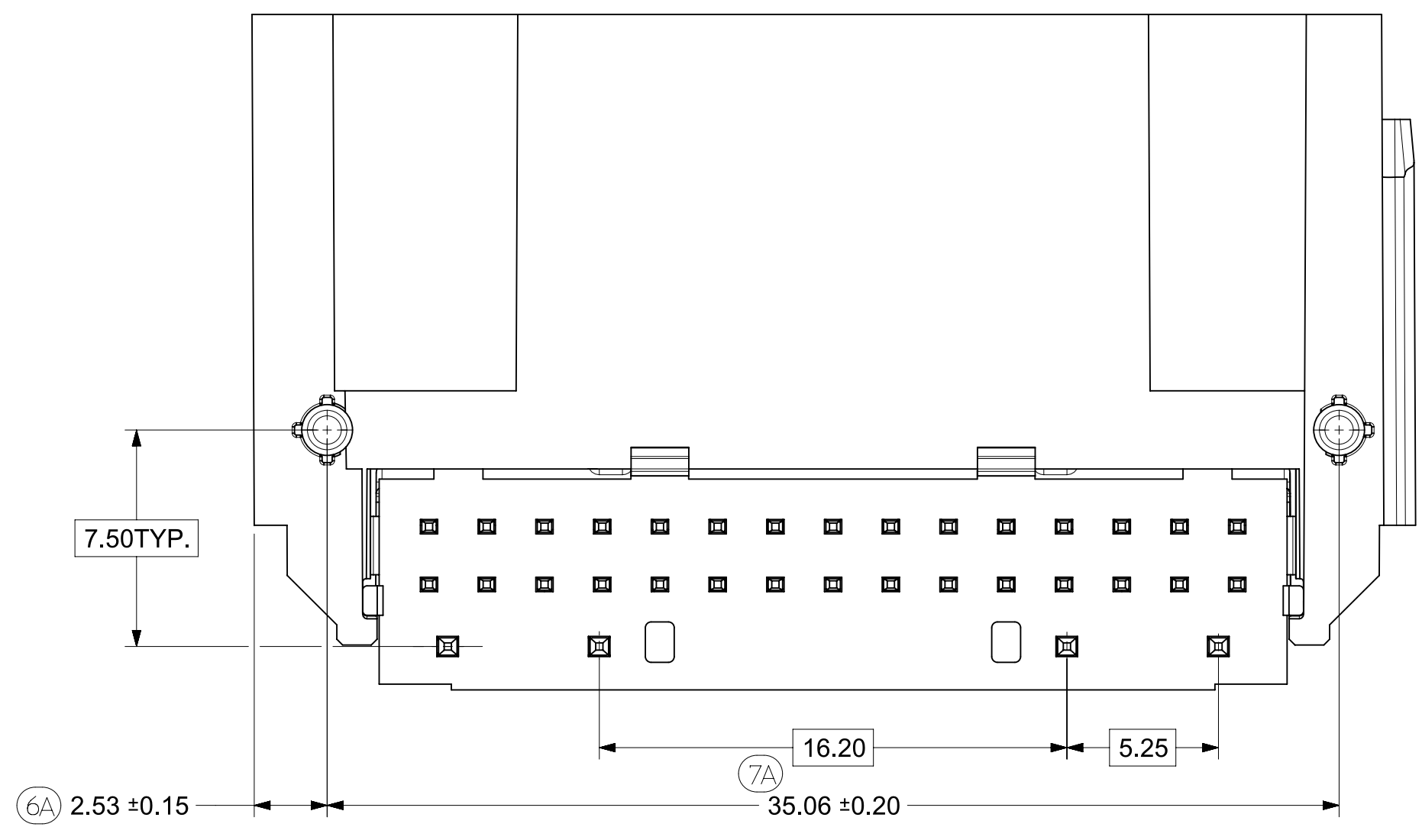
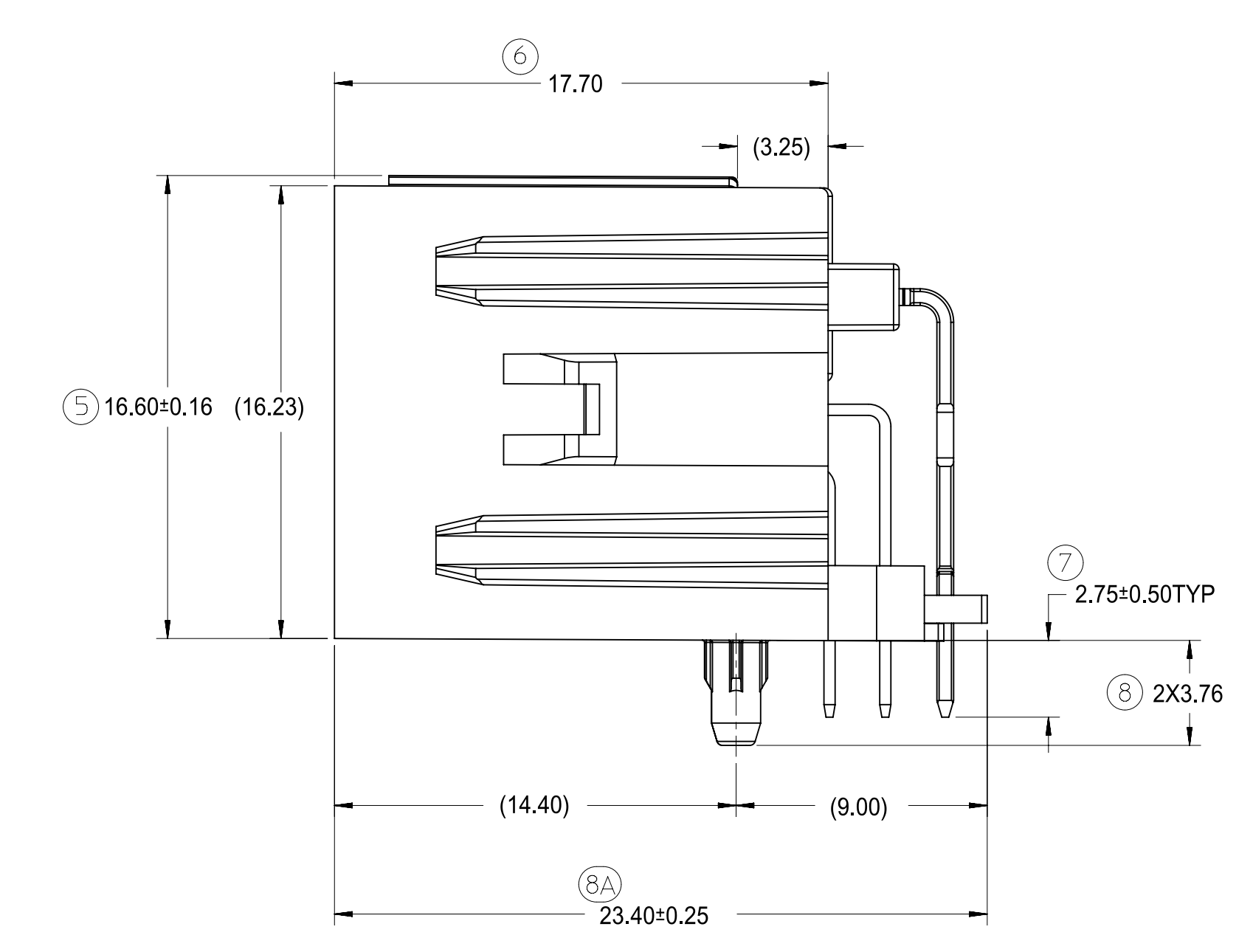
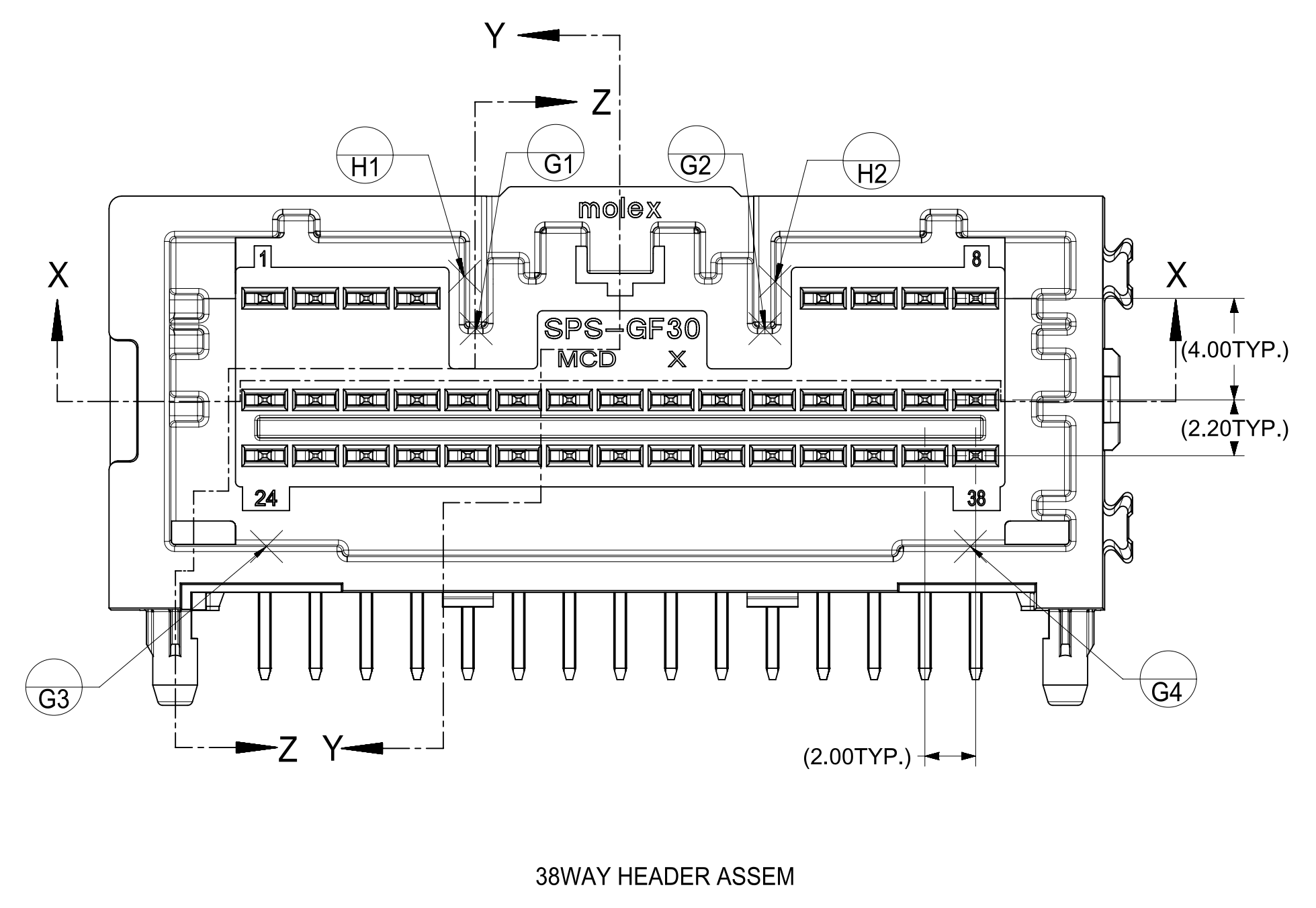
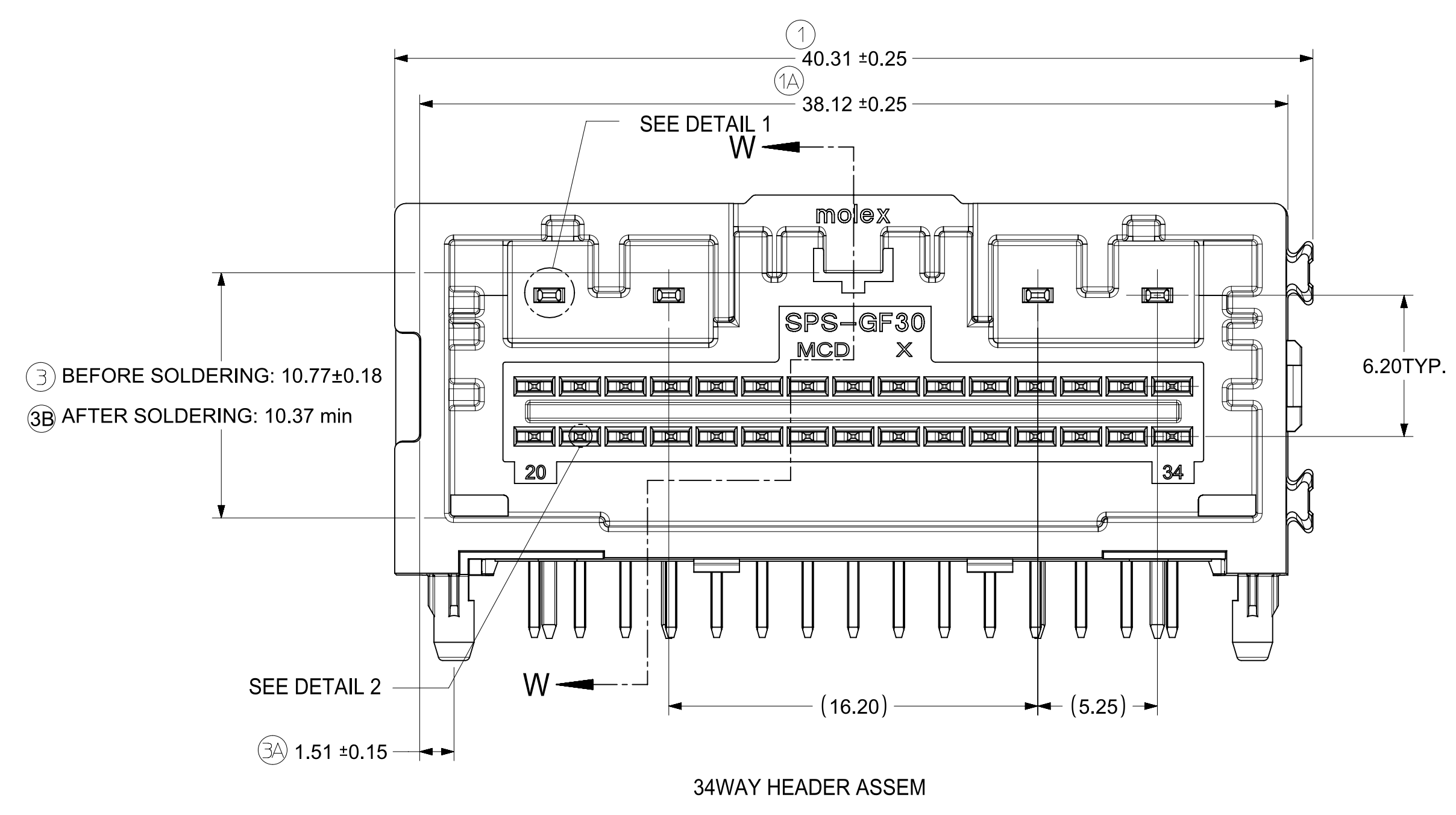
PAP HOLE SHAPE  
ROUND



PAP HOLE SHAPE  
SQUARE

|  |   |                        |   |                        |  |                  |  |                                 |  |                          |                                      |
|--|---|------------------------|---|------------------------|--|------------------|--|---------------------------------|--|--------------------------|--------------------------------------|
| <b>FUNCTIONAL SYMBOLS</b><br>$F_A = 0$<br>$F_C = 0$<br>$F_P = 0$ | THIS DRAWING CONTAINS INFORMATION THAT IS PROPRIETARY TO MOLEX ELECTRONIC TECHNOLOGIES, LLC AND SHOULD NOT BE USED WITHOUT WRITTEN PERMISSION |                        | DIMENSION UNITS: <b>mm</b><br>SCALE: <b>3:1</b>                                       |                        | CURRENT REV DESC: REFER TO REVISION COLUMN |                  |  |                                 |  |                          |                                      |
|  | GENERAL TOLERANCES (UNLESS SPECIFIED)<br>ANGULAR TOL $\pm 0.5^\circ$  |                        | 4 PLACES $\pm$<br>3 PLACES $\pm$<br>2 PLACES $\pm$<br>1 PLACE $\pm$<br>0 PLACES $\pm$ |                        |  |                  |  |                                 | STATUS: Production<br>DRWN: Shanks Wu<br>CHK'D: Ringo Hu<br>APPR: Ringo Hu | 2023-04-03<br>2023-05-19 | DOCUMENT NUMBER: <b>SD-34961-030</b> |
| DRAFT WHERE APPLICABLE<br>MUST REMAIN WITHIN DIMENSIONS          |   | THIRD ANGLE PROJECTION |   | DRAWING: <b>D-SIZE</b> | SERIES: <b>34961</b>                       | MATERIAL NUMBER: |  | CUSTOMER: <b>GENERAL MARKET</b> |  |                          | SHEET NUMBER: <b>3 OF 6</b>          |

| TABLE OF CONTENTS |                       |
|-------------------|-----------------------|
| SHEET NO.         | SHEET DESCRIPTION     |
| 4                 | DETAIL DIMENSION VIEW |



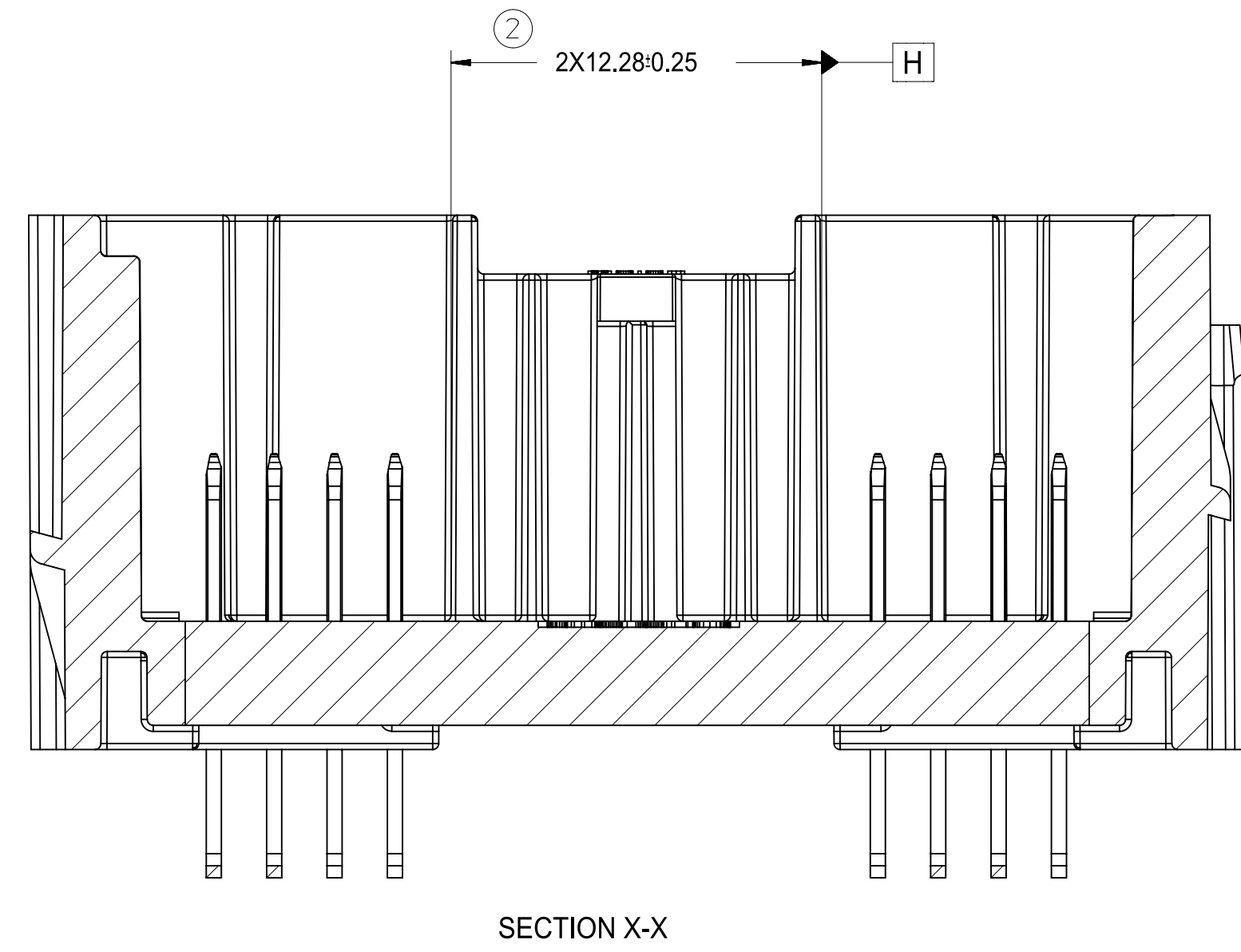
|  |   |                        |
|--|---|------------------------|
| <b>FUNCTIONAL SYMBOLS</b><br>$F_A = 0$<br>$F_C = 0$<br>$F_P = 0$                               | THIS DRAWING CONTAINS INFORMATION THAT IS PROPRIETARY TO MOLEX ELECTRONIC TECHNOLOGIES, LLC AND SHOULD NOT BE USED WITHOUT WRITTEN PERMISSION |                        |
|  | DIMENSION UNITS   | SCALE                  |
|  | mm  | 5:1                    |
|  | CURRENT REV DESC: REFER TO REVISION COLUMN  |                        |
| <b>DIVISIONAL SYMBOLS</b><br>4 PLACES ±<br>3 PLACES ±<br>2 PLACES ±<br>1 PLACE ±<br>0 PLACES ± | GENERAL TOLERANCES (UNLESS SPECIFIED)   |                        |
|  | ANGULAR TOL ± 0.5°  |                        |
|  | STATUS: Production  |                        |
|  | DRWN: Shanks Wu   |                        |
| DRAFT WHERE APPLICABLE MUST REMAIN WITHIN DIMENSIONS   |   | THIRD ANGLE PROJECTION |
| DRAWING  |   | SERIES                 |
| D-SIZE   |   | 34961                  |
| MATERIAL NUMBER  |   | CUSTOMER               |
| SD-34961-030   |   | GENERAL MARKET         |
| DOCUMENT NUMBER  | DOC TYPE  | DOC PART               |
| 2023-04-03   | PSD   | 001                    |
| 2023-05-19   |   | K1                     |
| REVISION   |   | SHEET NUMBER           |
|  |   | 4 OF 6                 |

**molex**

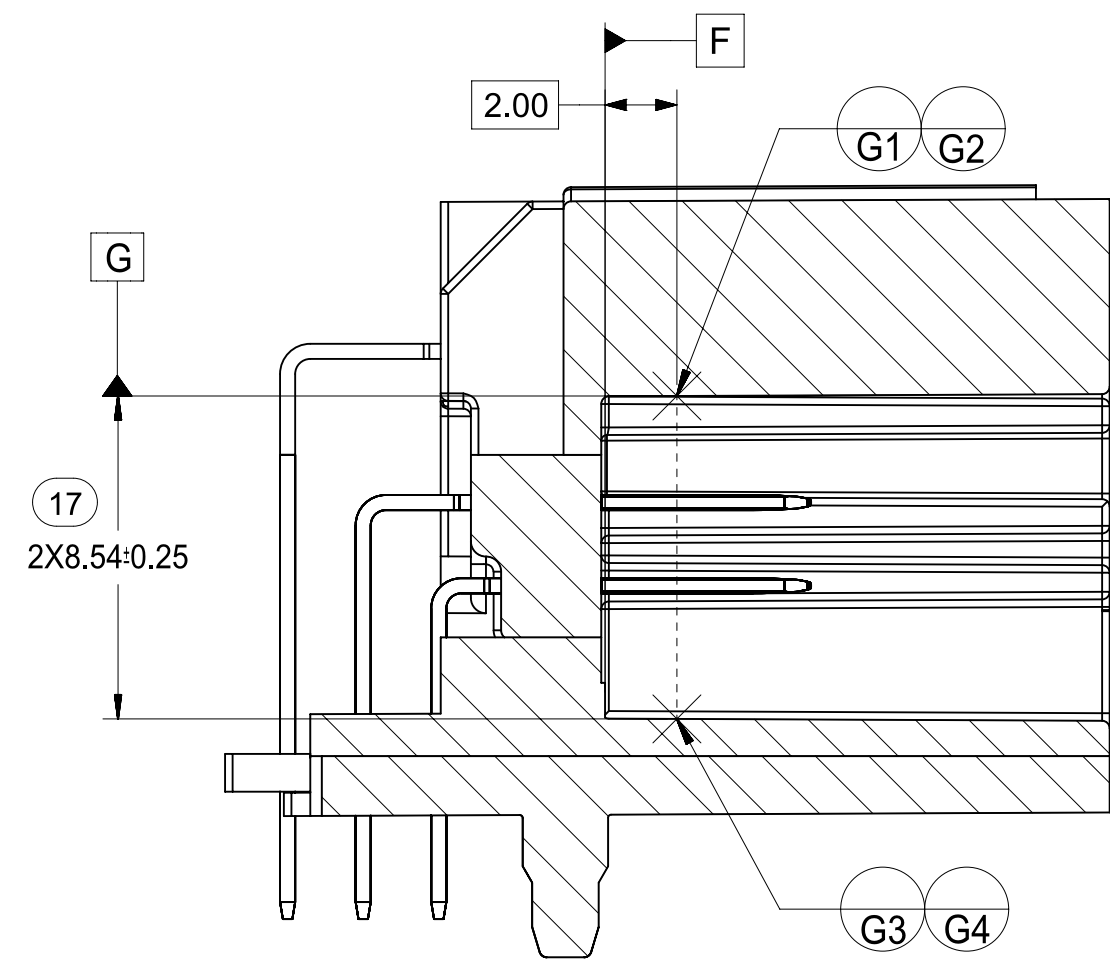
34 & 38CKT MINI50  
RIGHT ANGLE HEADER ASSEMBLY SALES DRAWING

PRODUCT SALES DRAWING

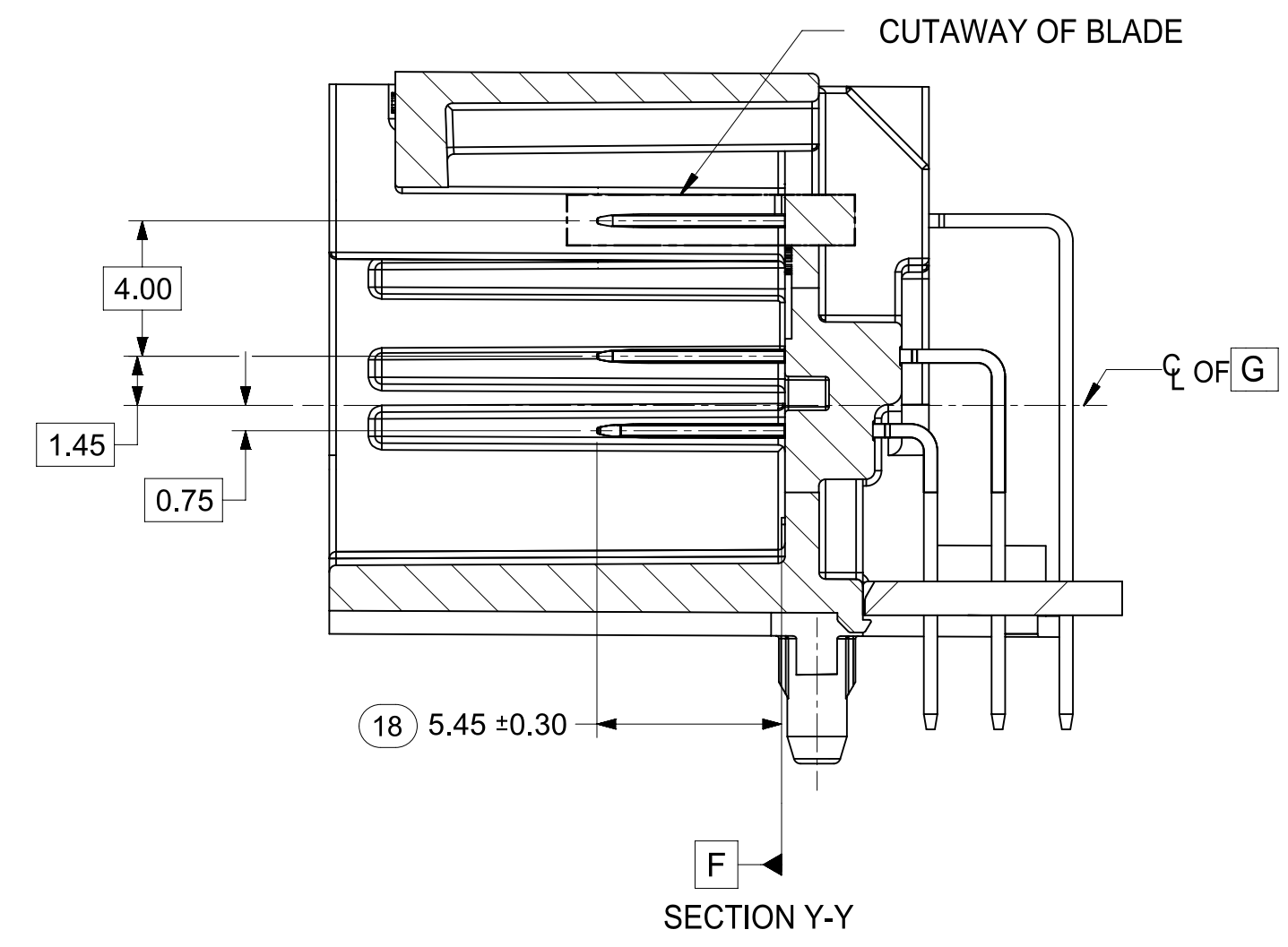
| TABLE OF CONTENTS |                       |
|-------------------|-----------------------|
| SHEET NO.         | SHEET DESCRIPTION     |
| 5                 | DETAIL DIMENSION VIEW |



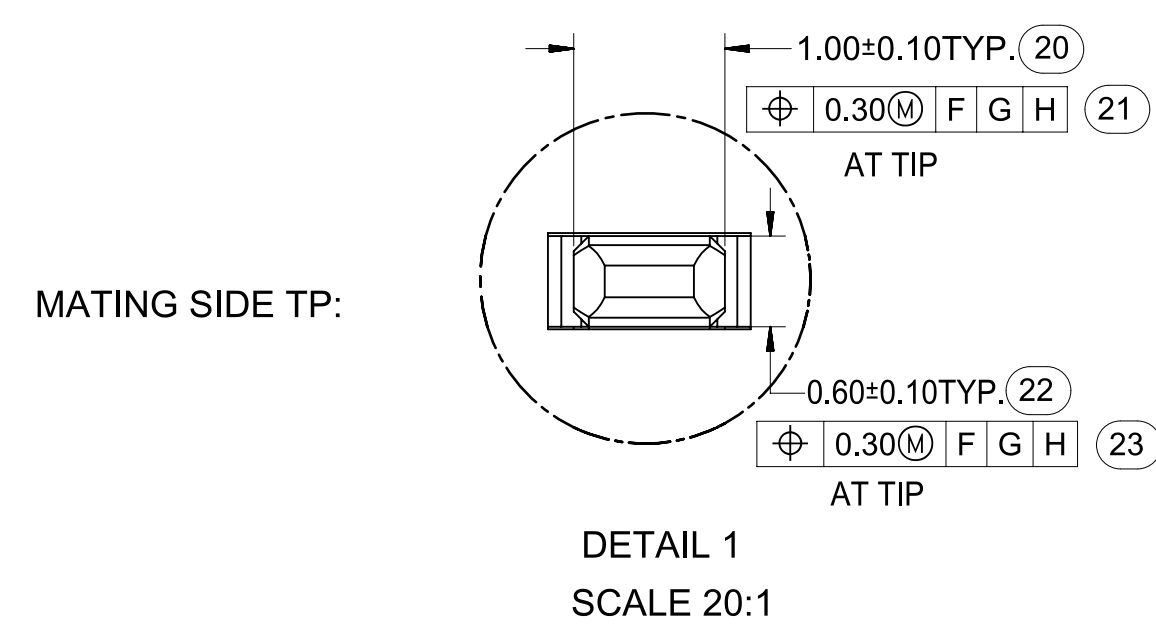
SECTION X-X



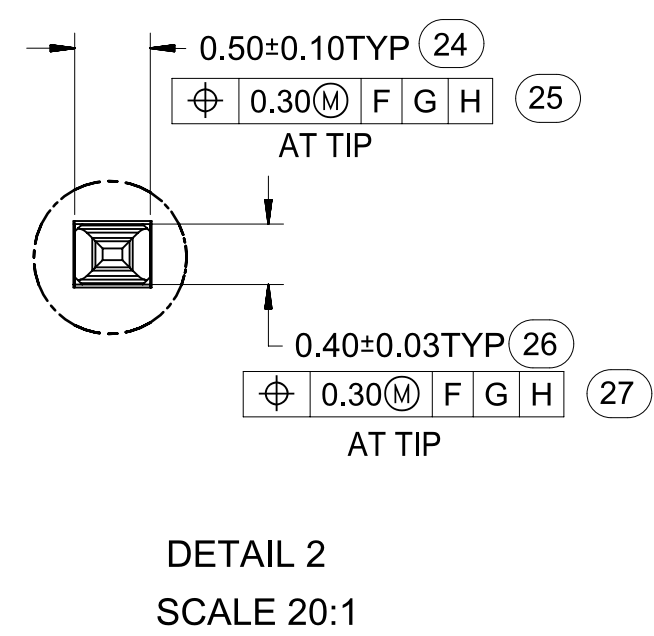
SECTION Z-Z



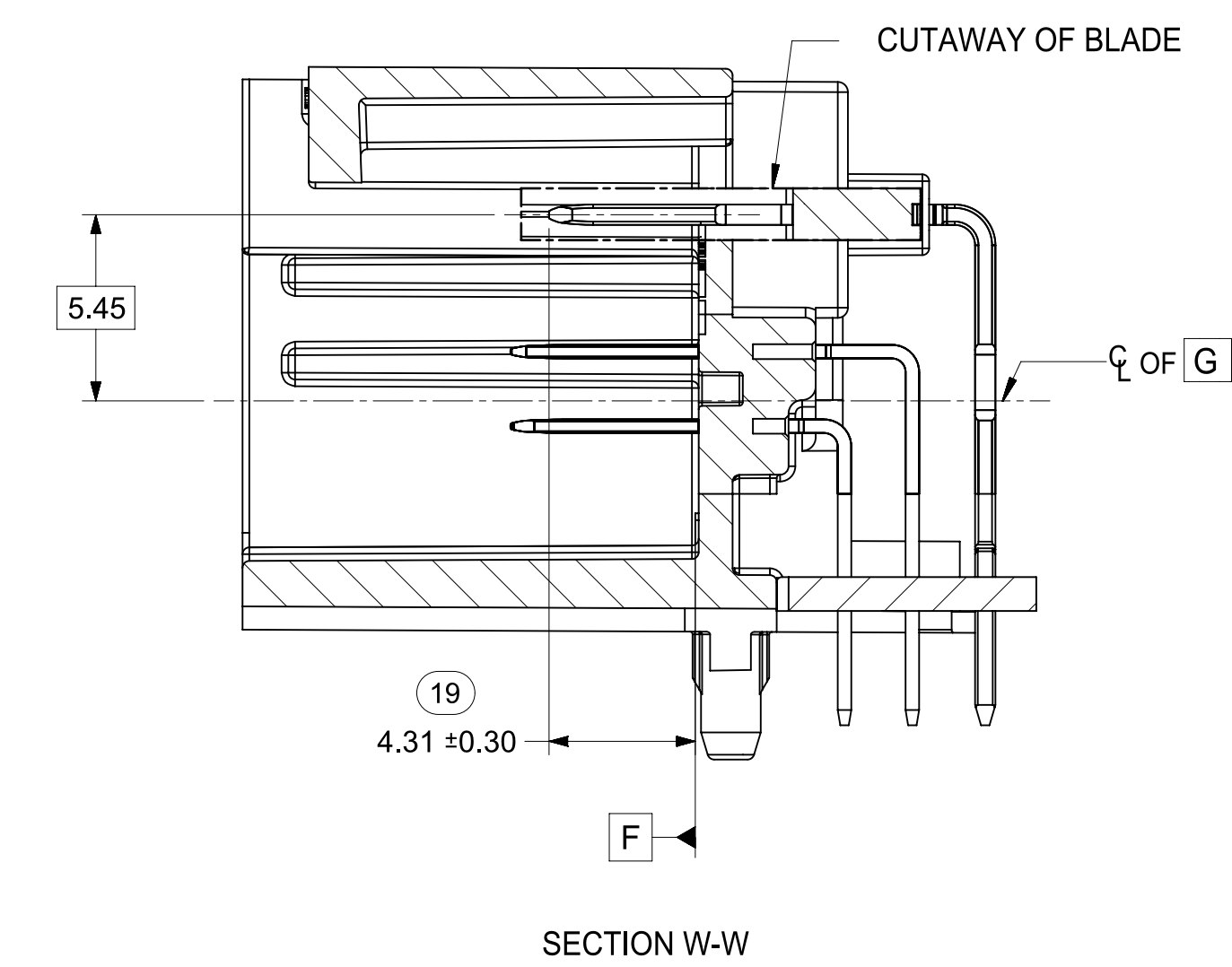
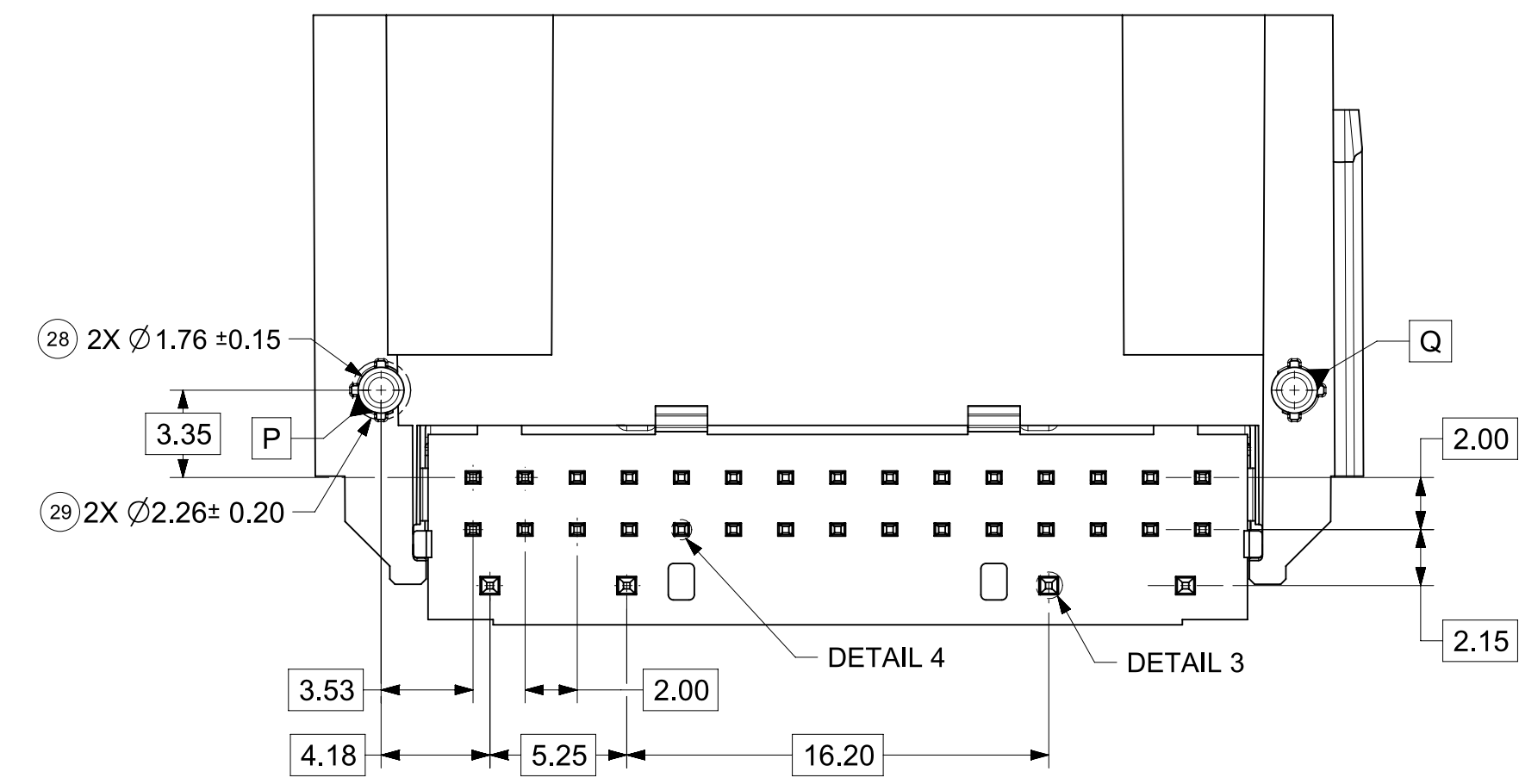
SECTION Y-Y



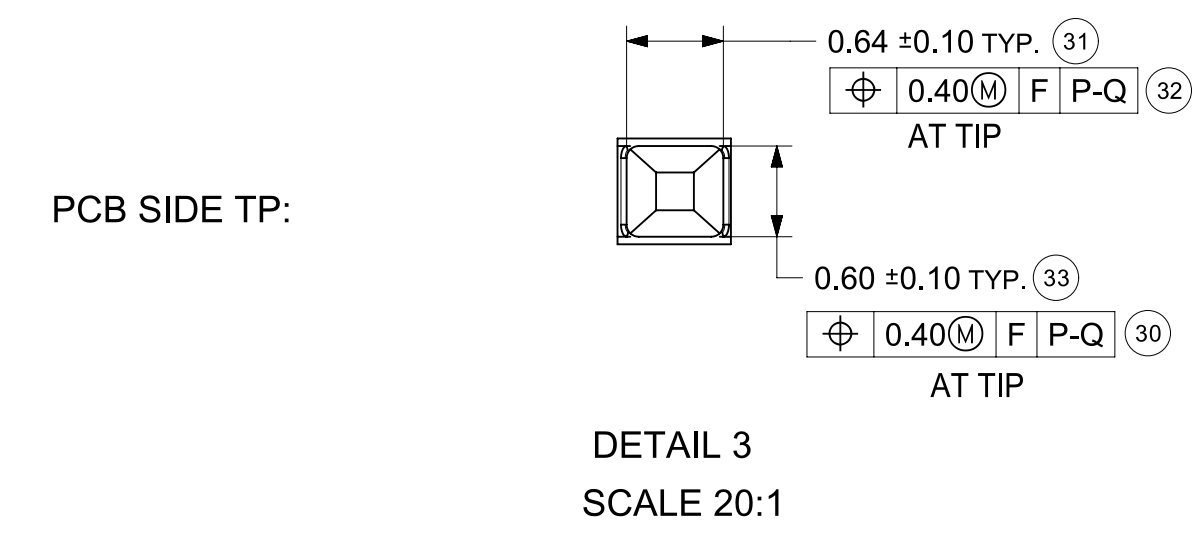
DETAIL 1  
SCALE 20:1



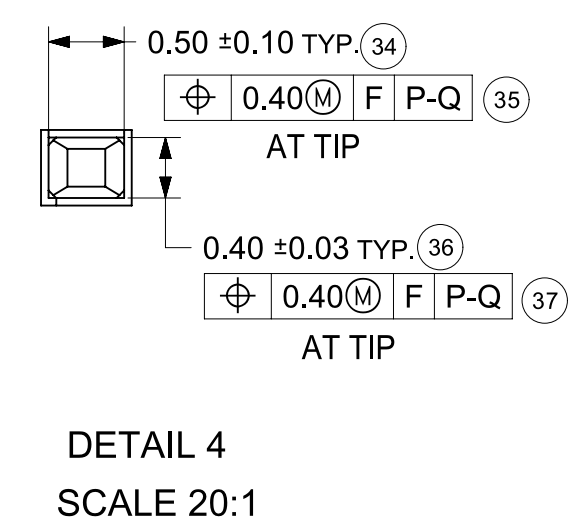
DETAIL 2  
SCALE 20:1



SECTION W-W



DETAIL 3  
SCALE 20:1



DETAIL 4  
SCALE 20:1

|  |   |   |
|--|---|---|
| <b>FUNCTIONAL SYMBOLS</b><br>$F_A = 0$<br>$F_C = 0$<br>$F_P = 0$                               | THIS DRAWING CONTAINS INFORMATION THAT IS PROPRIETARY TO MOLEX ELECTRONIC TECHNOLOGIES, LLC AND SHOULD NOT BE USED WITHOUT WRITTEN PERMISSION |   |
|  | DIMENSION UNITS   | SCALE   |
|  | mm  | 5:1   |
|  | CURRENT REV DESC: REFER TO REVISION COLUMN  |   |
| <b>DIVISIONAL SYMBOLS</b><br>4 PLACES ±<br>3 PLACES ±<br>2 PLACES ±<br>1 PLACE ±<br>0 PLACES ± | GENERAL TOLERANCES (UNLESS SPECIFIED)   |   |
|  | ANGULAR TOL ± 0.5°  |   |
|  | STATUS: Production  |   |
|  | DRWN: Shanks Wu   |   |
| DRAFT WHERE APPLICABLE MUST REMAIN WITHIN DIMENSIONS   |   | 2023-04-03<br>2023-05-19<br>CHK'D: Ringo Hu<br>APPR: Ringo Hu                           |
| THIRD ANGLE PROJECTION   |   | DRAWING: D-SIZE<br>SERIES: 34961  |
| MATERIAL NUMBER  |   | CUSTOMER: GENERAL MARKET<br>SHEET NUMBER: 5 OF 6  |
| DOCUMENT NUMBER  |   | DOC TYPE: PSD<br>DOC PART: 001<br>REVISION: K1  |
| SD-34961-030   |   | PRODUCT SALES DRAWING<br>34 & 38CKT MINI50<br>RIGHT ANGLE HEADER ASSEMBLY SALES DRAWING |

**molex**

34 & 38CKT MINI50  
RIGHT ANGLE HEADER ASSEMBLY SALES DRAWING

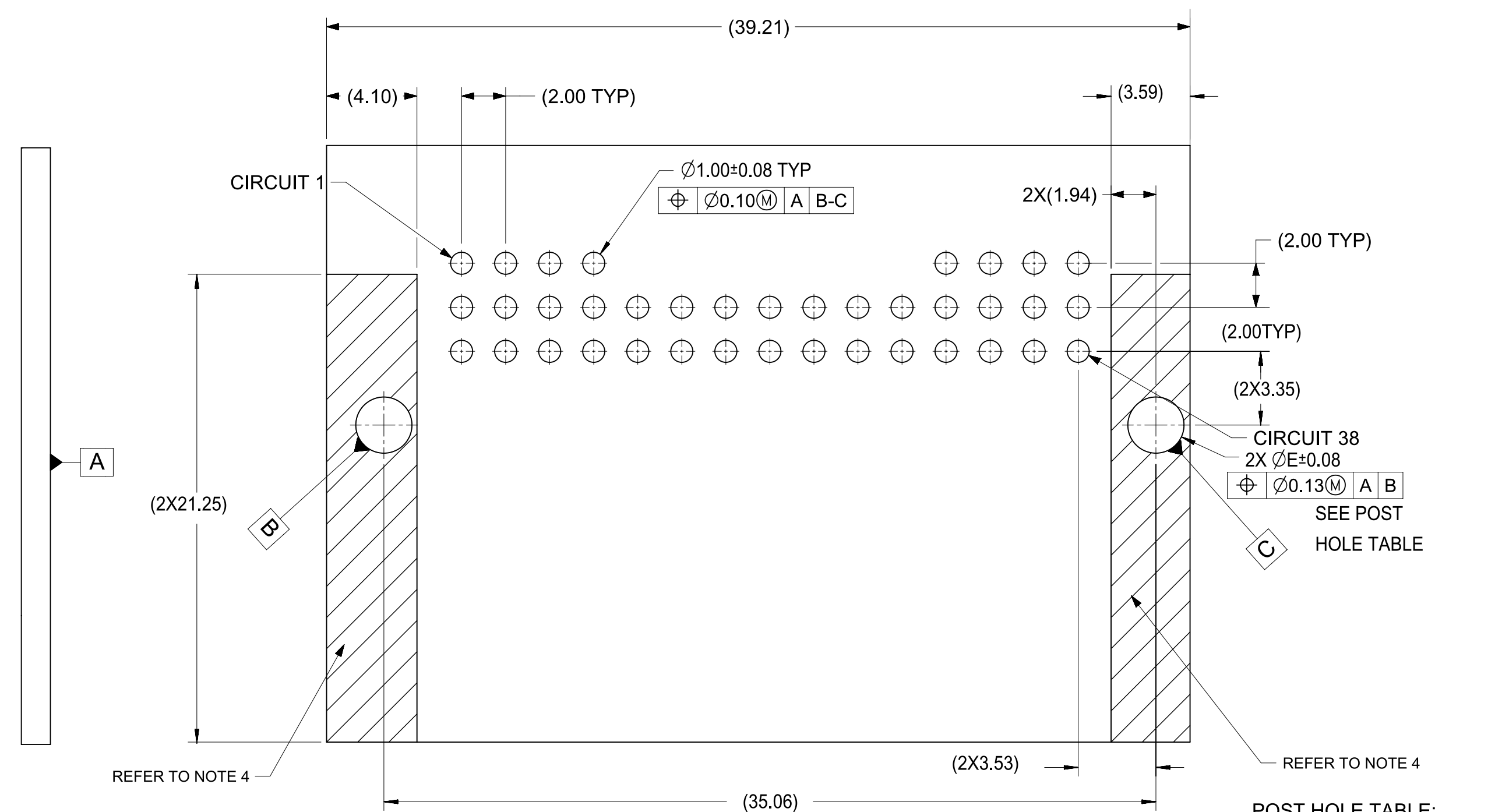
PRODUCT SALES DRAWING

DOCUMENT NUMBER: SD-34961-030    DOC TYPE: PSD    DOC PART: 001    REVISION: K1

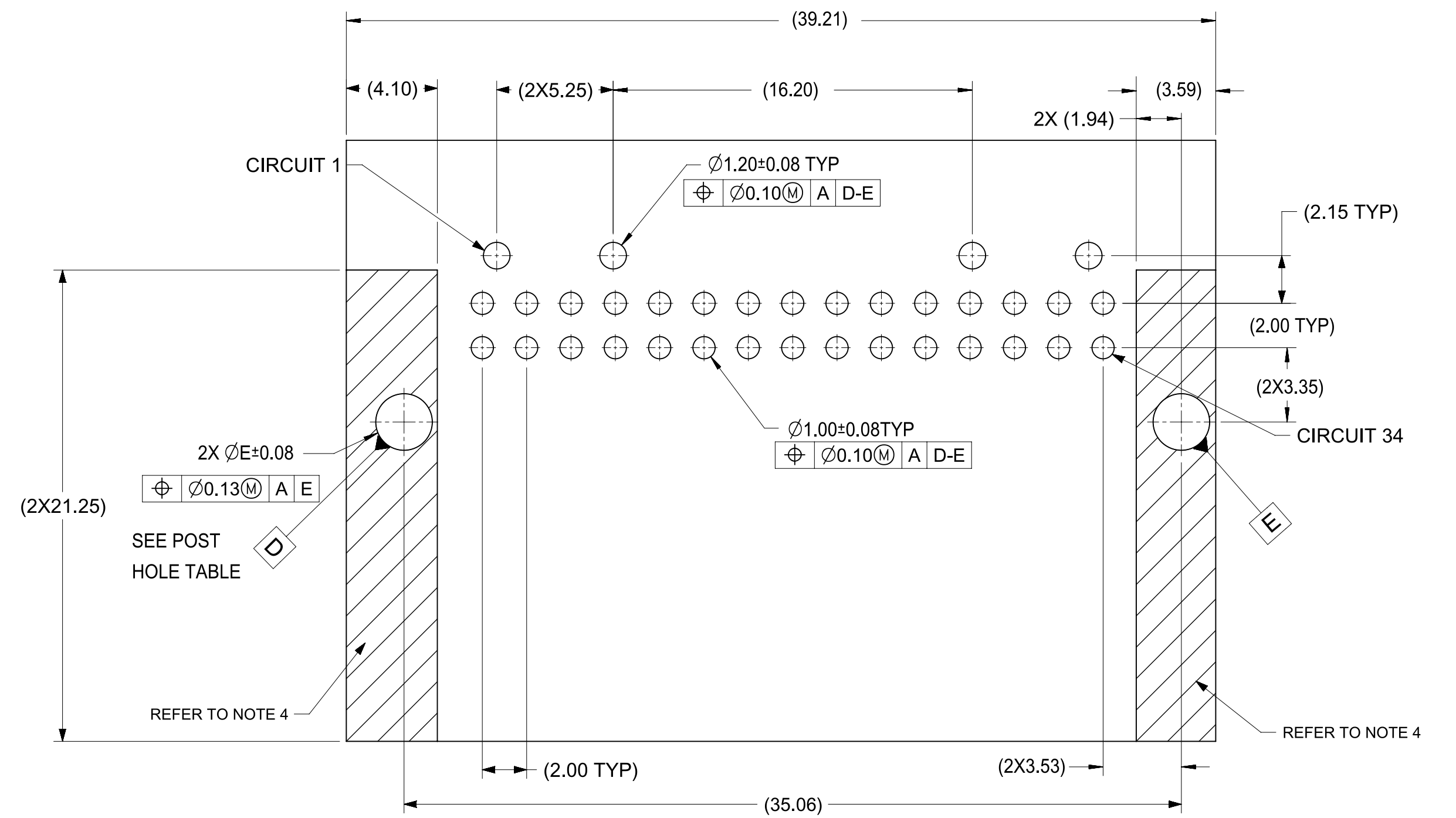
SD-34961-030

CUSTOMER: GENERAL MARKET    SHEET NUMBER: 5 OF 6

| TABLE OF CONTENTS |                      |
|-------------------|----------------------|
| SHEET NO.         | SHEET DESCRIPTION    |
| 6                 | REFERENCE PCB LAYOUT |



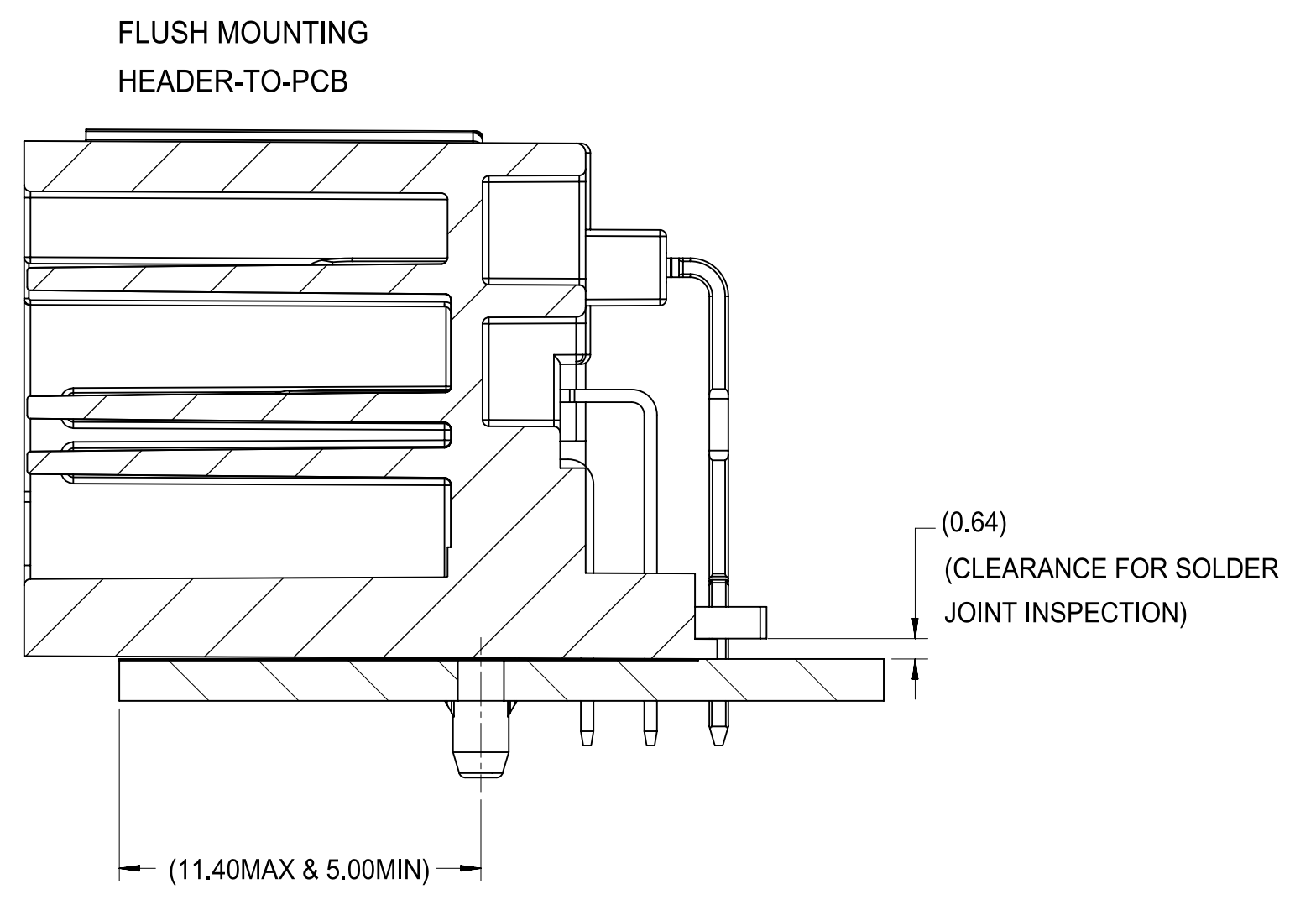
REFERENCE 38WAY PCB LAYOUT



REFERENCE 34WAY PCB LAYOUT

POST HOLE TABLE:

|            |      |
|------------|------|
| FOR DIM E: |      |
| PRESS FIT: | 2.15 |
| DROP IN:   | 2.55 |



|  |   |                        |  |        |                 |                |              |
|--|---|------------------------|--|--------|-----------------|----------------|--------------|
| <b>FUNCTIONAL SYMBOLS</b><br>$F_A = 0$<br>$F_C = 0$<br>$F_D = 0$   | THIS DRAWING CONTAINS INFORMATION THAT IS PROPRIETARY TO MOLEX ELECTRONIC TECHNOLOGIES, LLC AND SHOULD NOT BE USED WITHOUT WRITTEN PERMISSION |                        | CURRENT REV DESC: REFER TO REVISION COLUMN   |        |                 |                |              |
|  | DIMENSION UNITS   | SCALE                  | <br><b>34 &amp; 38CKT MINI50</b><br><b>RIGHT ANGLE HEADER ASSEMBLY SALES DRAWING</b><br><b>PRODUCT SALES DRAWING</b> |        |                 |                |              |
|  | mm  | 5:1                    |  |        |                 |                |              |
|  | GENERAL TOLERANCES (UNLESS SPECIFIED)   |                        |  |        |                 |                |              |
| ANGULAR TOL $\pm 0.5^\circ$  |   |                        |  |        |                 |                |              |
| <b>DIVISIONAL SYMBOLS</b><br>4 PLACES $\pm$<br>3 PLACES $\pm$<br>2 PLACES $\pm$<br>1 PLACE $\pm$<br>0 PLACES $\pm$ | STATUS: Production  |                        | 2023-04-03   |        |                 |                |              |
|  | DRWN: Shanks Wu   |                        | 2023-05-19   |        |                 |                |              |
|  | CHK'D: Ringo Hu   |                        | SD-34961-030   |        |                 |                |              |
|  | APPR: Ringo Hu  |                        | PSD 001 K1   |        |                 |                |              |
| DRAFT WHERE APPLICABLE MUST REMAIN WITHIN DIMENSIONS   |   | THIRD ANGLE PROJECTION | DRAWING  | SERIES | MATERIAL NUMBER | CUSTOMER       | SHEET NUMBER |
|  |   |                        | D-SIZE   | 34961  |                 | GENERAL MARKET | 6 OF 6       |