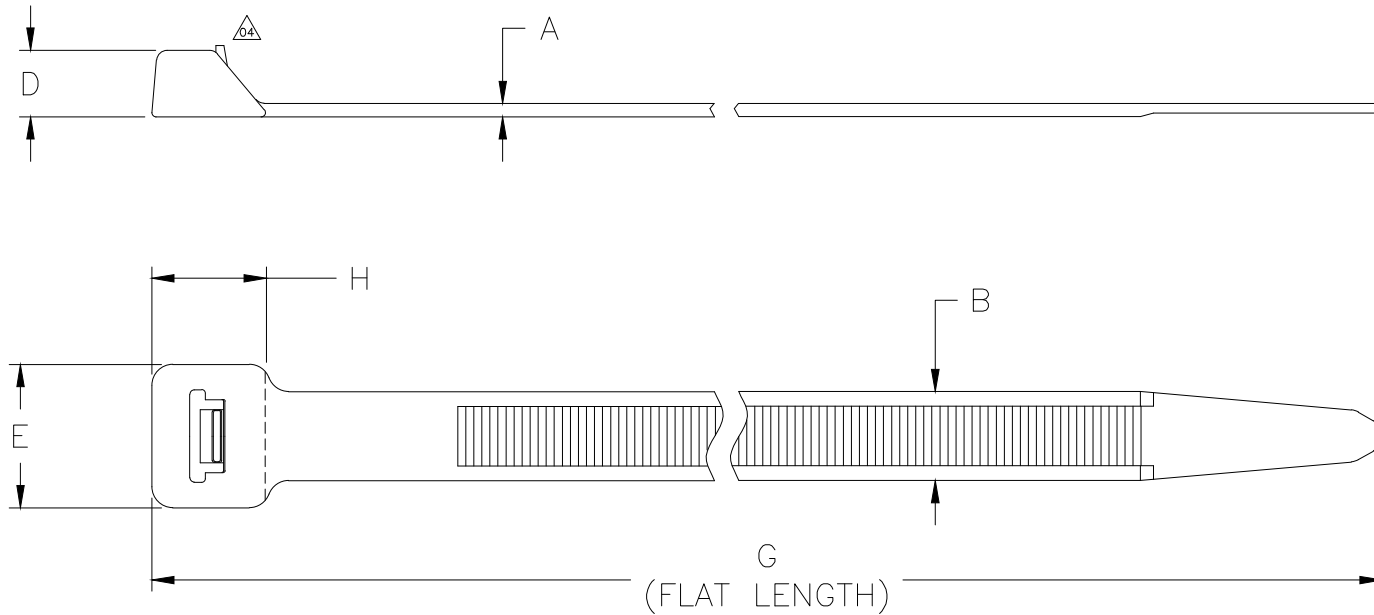


Revision level		Revision Record	Changed	Date	Approved	Date
part	drawing					
-	05	See ECN 015303	CTF	07/18/19	GAL	07/18/19



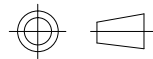
Aerospace Spec Tie SAEAS33671	Product Code	Cable Range (mm)	Material	A	B	D	E	G	H	Min Loop Tensile Strength (newtons)
no	RT255R_HIR	25 to 127	PA66HIRHSUV	1.8±0.2	12.6±0.3	9.3±0.3	20.0±0.5	508.0±5.0	15.5±1.2	1115

SEE CHART

Material

Dimension tolerances unless otherwise specified  
 .XXXX = ± .0130  
 .XXX = ± .130  
 .XX = ± .30  
 .X = ± .8  
 ∠ = ± 0.5 °

**ACAD MECH**  
2010



Drawn A.A.C. 04/07/03  
 Approved K.A.C. 04/25/11

Scale 1:1

Computer File Number  
CT\CST\2252009\_05

ALL PROPRIETARY RIGHTS IN THE SUBJECT MATTER SHOWN ON THIS DRAWING ARE EXCLUSIVE PROPERTY OF HELLERMANNTYTON

**HellermanTyton**

7930 N. Faulkner Rd.  
Milwaukee, WI 53224  
Ph: (414) 355-1130  
Fx: (414) 362-8338

Title  
**RT255R  
250 LB RELEASABLE CABLE TIE  
WITHOUT BUCKLE MOUNT**

Drawing-No  
**CT2252009CST**

Format  
AH  
Sheet 1 of 1

Dimension Units mm

PERFORMANCE SPECIFICATION