

30 Amp Power Relay PC730



FEATURES

- 1/4 Inch Male Quick Connect Terminals
- Up To 30 Amp Switching Capacity
- Up to 1 1/2 Horsepower Rating
- Smallest 30 Amp 2 Pole Relay
- Top or Side Flanged Case or PC Mounting
- 2A or 2C Contact Configuration
- RoHS Compliant

UL / CUL Ratings



Load Type	Voltage	All Contacts
General Purpose	250 VAC	30 A
	277 VAC	20 A
	28 VDC	20 A
Resistive	250 VAC	30 A
	277VAC	20 A
	120 VAC	30 A
Motor	240 VAC	1 1/2 HP
	120 VAC	1 HP

CONTACT DATA

Material	AgCdO (Silver Cadmium Oxide)	
Initial Contact Resistance	100 mΩ max. @ 6 V, 1A	
Max. Switching Voltage	36 VDC, 330 VAC	
Max. Switching Power	7,500 VA	
Service Life	Mechanical	1 X 10 ⁷ Operations
	Electrical	1 X 10 ⁵ Operations

CHARACTERISTICS

Operate Time	25 ms Max
Release Time	15 ms Max
Insulation Resistance	500 MΩ min. at 500 VDC, 50% RH
Dielectric Strength	2,500 VAC 1 min. Between Coil and Contacts
	1,500 VAC, 1 min. Between Open Contacts
Shock Resistance	10 g, Functional
	100 g, Destructive
Power Consumption	DC Coil 2.0 W, AC Coil 4.0 VA

CHARACTERISTICS CONT.

Vibration Resistance	10 Hz - 55 Hz 1.0 mm DA, Functional
	10 Hz - 55 Hz 1.0 mm DA, Destructive
Solderability	260°C for 5 seconds
Operating Temperature	-25°C to 55 °C (Class B)
	-25°C to 80 °C (Class F)
Relative Humidity	75% (at 30°C)
Weight	70 grams

ORDERING INFORMATION

Example:	PC730	-2C	- C	- 120A		
Model:	PC730					
Contact Form:	2A, 2C					
Case Type:	C1: Side Flange; C3: Top Flange; P: PC Terminals					
Coil Voltage:	XXXA: AC Coil 12, 24, 48, 120, 208, 220, 240					
	XXXD: DC Coil 12, 24, 48, 110					
RoHS Compliance:	Nil: RoHS Compliant					
Insulation:	Nil: Class B; F: Class F					

Box Quantity: 100; Inner Box: 10

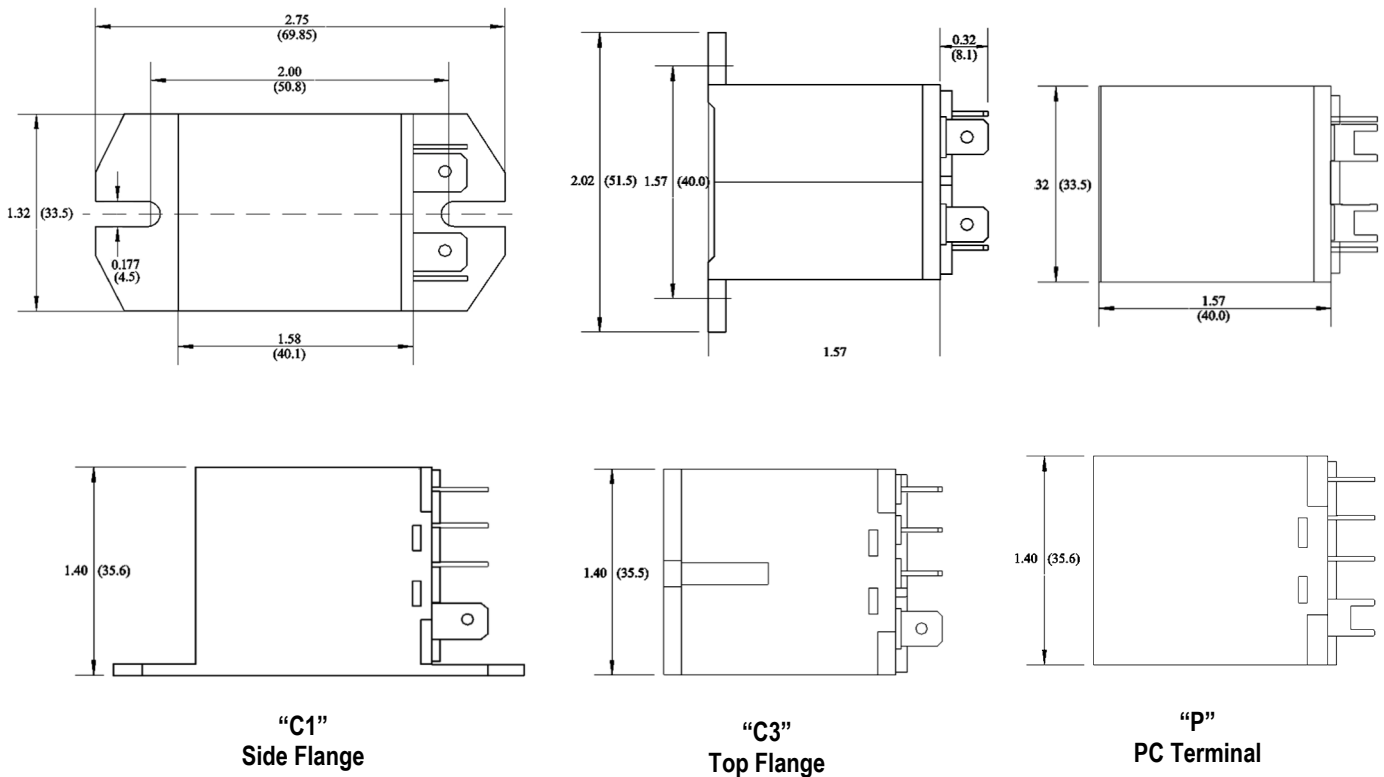
COIL DATA

Voltage Type	Coil Voltage		Resistance Ohms ± 10%	Must Operate Voltage Max. (VDC)	Must Release Voltage Min. (VDC)
	Rated	Max			
DC 2.0 W	12	13.2	72	9	1
	24	26.4	288	18	2
	48	52.8	1,152	36	5
	110	121	6,050	86	11
AC 4.0 VA	12	13.2	13	9.6	4
	24	26.4	48	19	7
	48	52.8	202	38	14
	120	132	1,206	96	36
	208	228	3,623	166	62
	220	242	4,235	176	66
	240	264	4,824	192	72

NOTES:

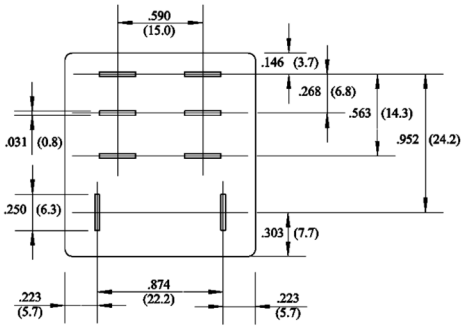
The use of any coil voltage less than the rated voltage will compromise the operation of the relays. Must Operate Voltage is listed for test purposes only and is not to be used as design criteria. Pickup and release voltages are for test purposes only and are not to be used as design criteria. Dimensions are in mm, Inches are listed for reference only.

CASE TYPE Inches (mm)

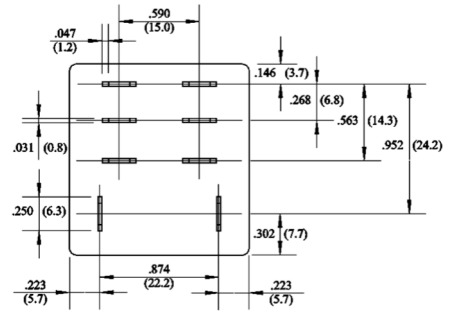


MOUNTING TYPES (inches/mm)

TERMINAL LAYOUTS Inches (mm)

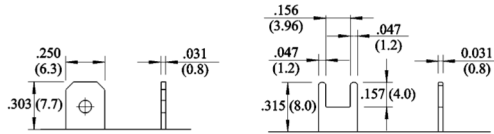


Quick Connect



"P" PC Terminal

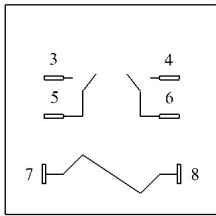
TERMINAL QC & PINS Inches (mm)



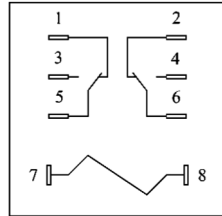
Quick Connect

Double Pins

WIRE DIAGRAMS

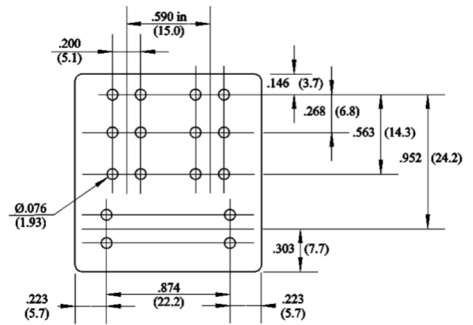


2A



2C

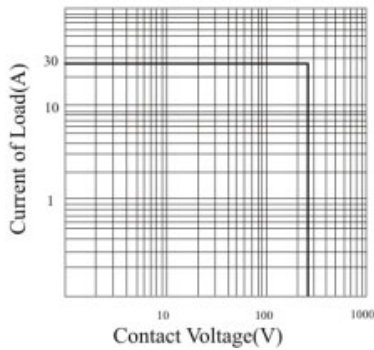
PC BOARD LAYOUT Inches (mm)



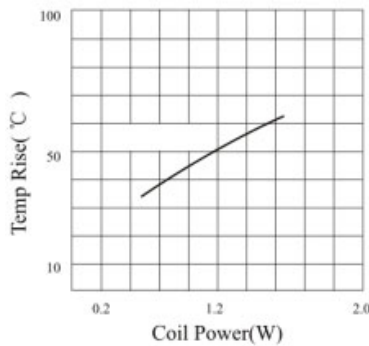
"P"
PC Terminal
Top View

Reference Data

Max. Operating Power



Coil Temperature Rise



Life Expectancy

