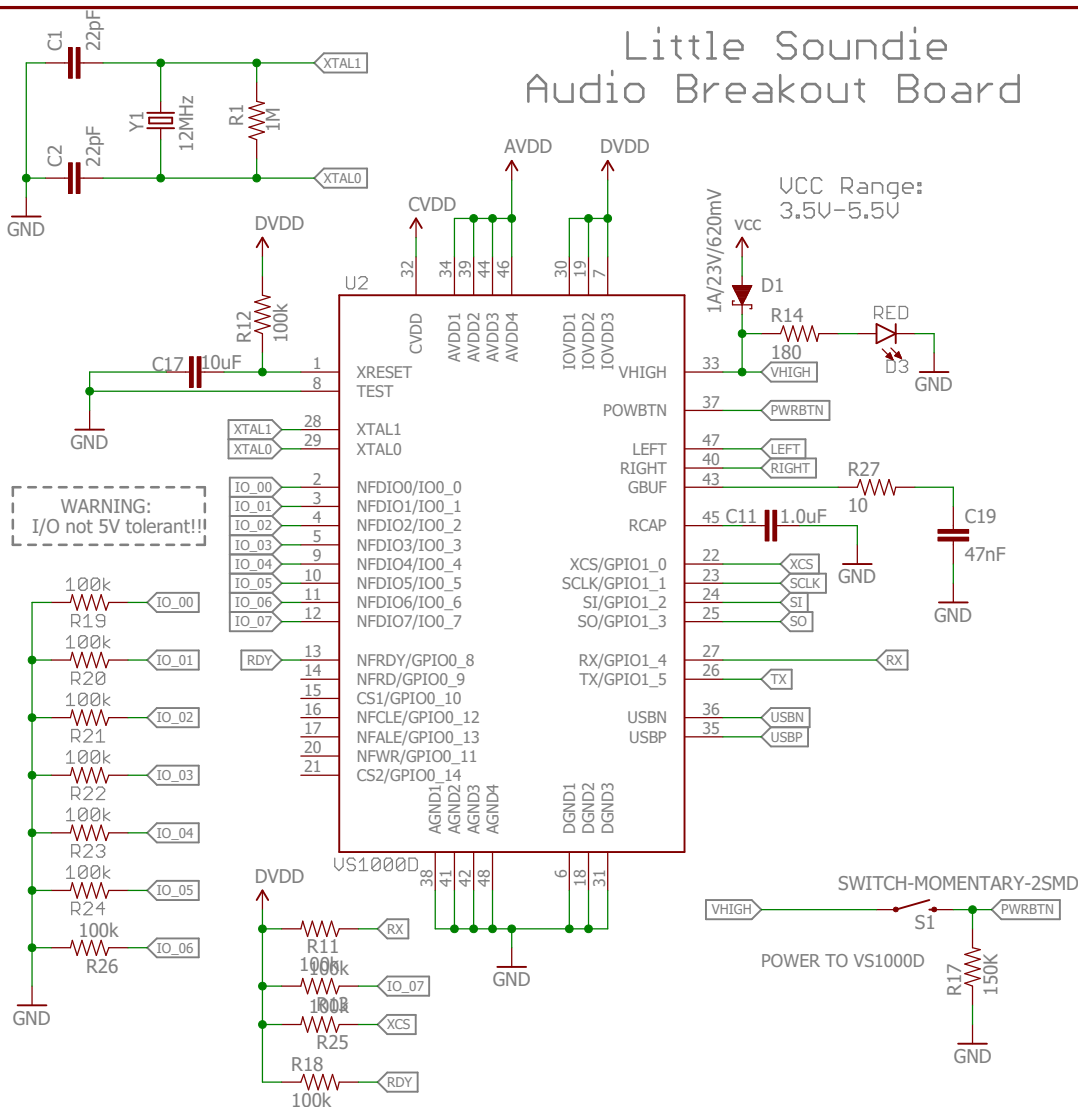
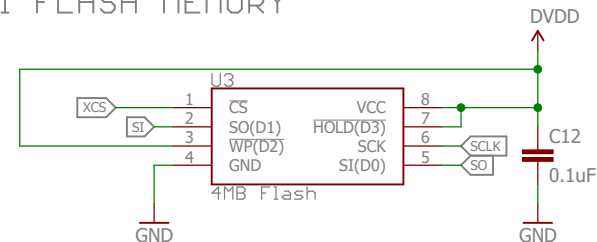


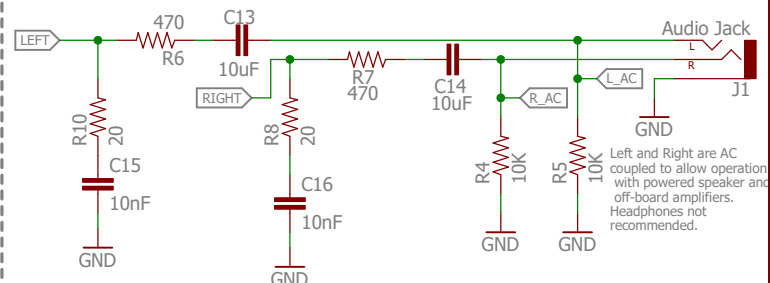
# Little Soundie Audio Breakout Board



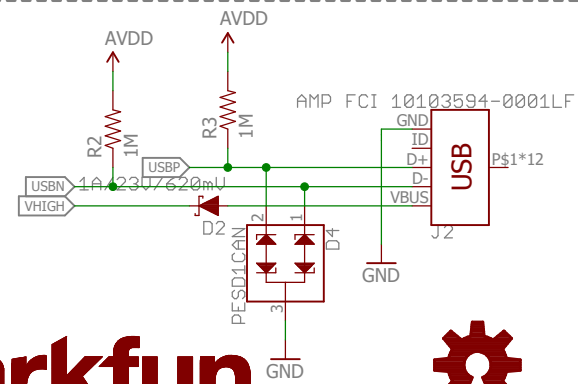
## SPI FLASH MEMORY



## Audio Out



## USB



**sparkfun**

**open hardware**

Released under the Creative Commons Attribution Share-Alike 4.0 License  
<https://creativecommons.org/licenses/by-sa/4.0/>

TITLE: SparkFun\_Little\_Soundie\_Audio\_Player

Design by: Mary West  
 Based on designs developed by VLSI

REV:  
v10

Date: 4/23/2018 12:34 PM

Sheet: 1/1

