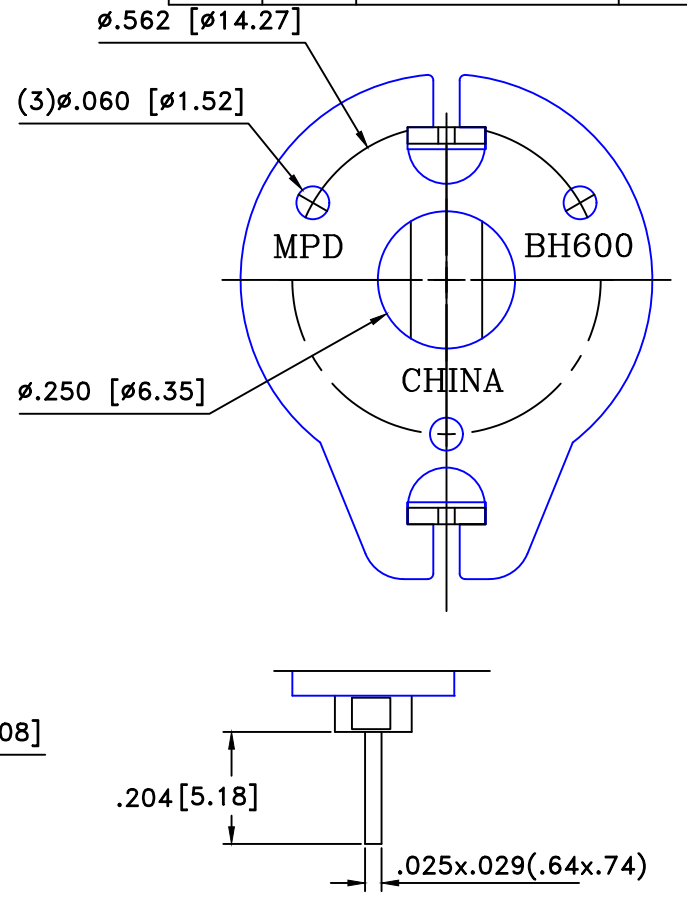
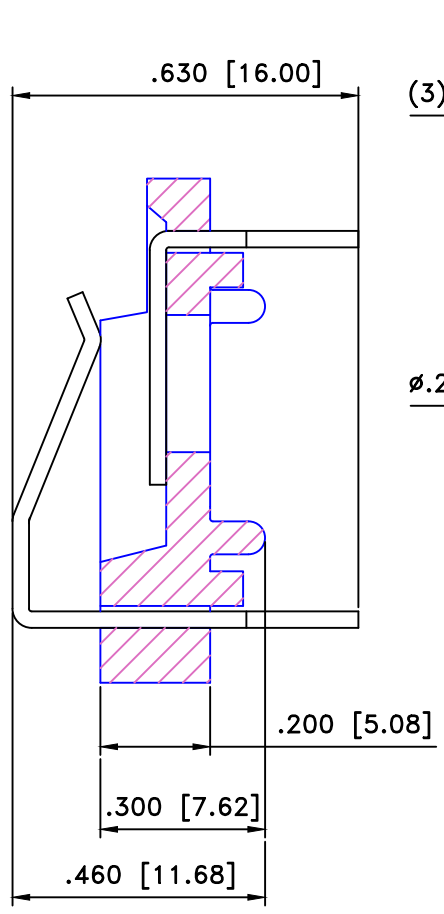
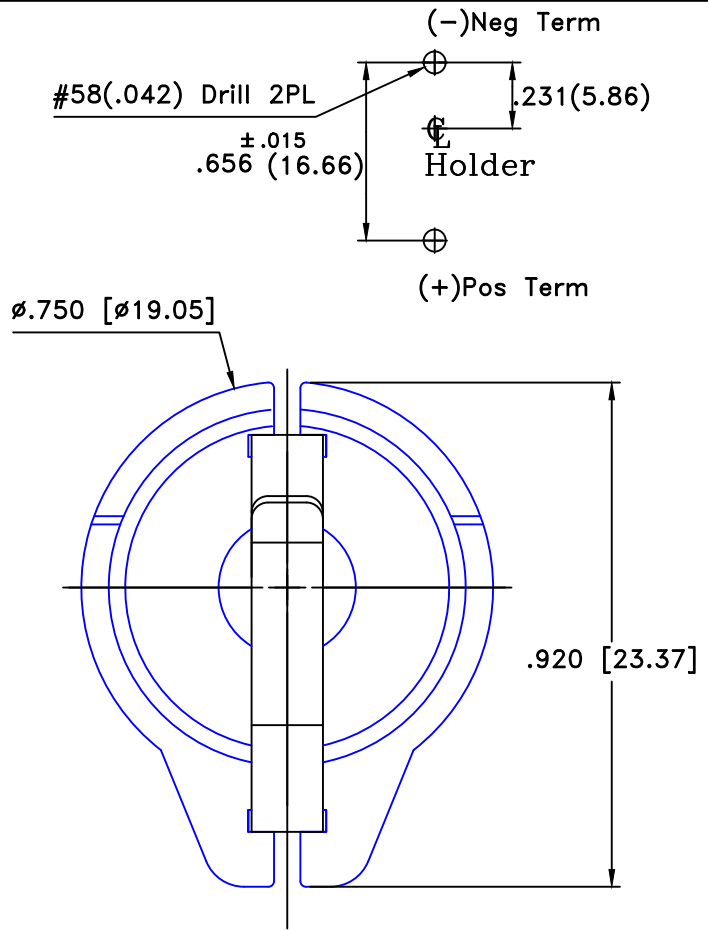



Date	SYM	REVISION RECORD	AUTH	DR.	CK.
08/29/15	F	UPDATED UL FILE NO.	T.B.	B.S.	
12/12/19	G	ADDED WEIGHT OF THE PART	T.B.	B.S.	



Square Contact Detail

SPECIFICATIONS

- *Holder material—thermoplastic, black PBT
- *Flammability rating—UL94V-0, File No.E51743
- *Contacts—302 spring temper stainless steel nickel plated overall
- *Dielectric strength—560volts/mil at 25°C for 5seconds
- *Temperature range— -55° to +180°C
- *Resistance to solvents—Xylene,ethyl,butyl,methyl&proptl alcohol;ethyl acetate,heptane;toluene;refrigerant
- * Approximate weight: 1.85g
- *ROHS COMPLIANT

Tolerance (Except as noted)	 Memory protection Devices, Inc 200 Broad Hollow Road, Farmingdale, New York 11735	Scale	
		4=1	Drawn By T.S.
decimal ±.5 (.020)		Approved By T.B.	
Fractional ± .8 (.030)	Title COIN CELL HOLDER, ø16mm by 5.8mm TALL OR VARTA V80H BATTERIES		
Angular ± 3°	Date 12/12/19	Drawing Number BH600-5.8	