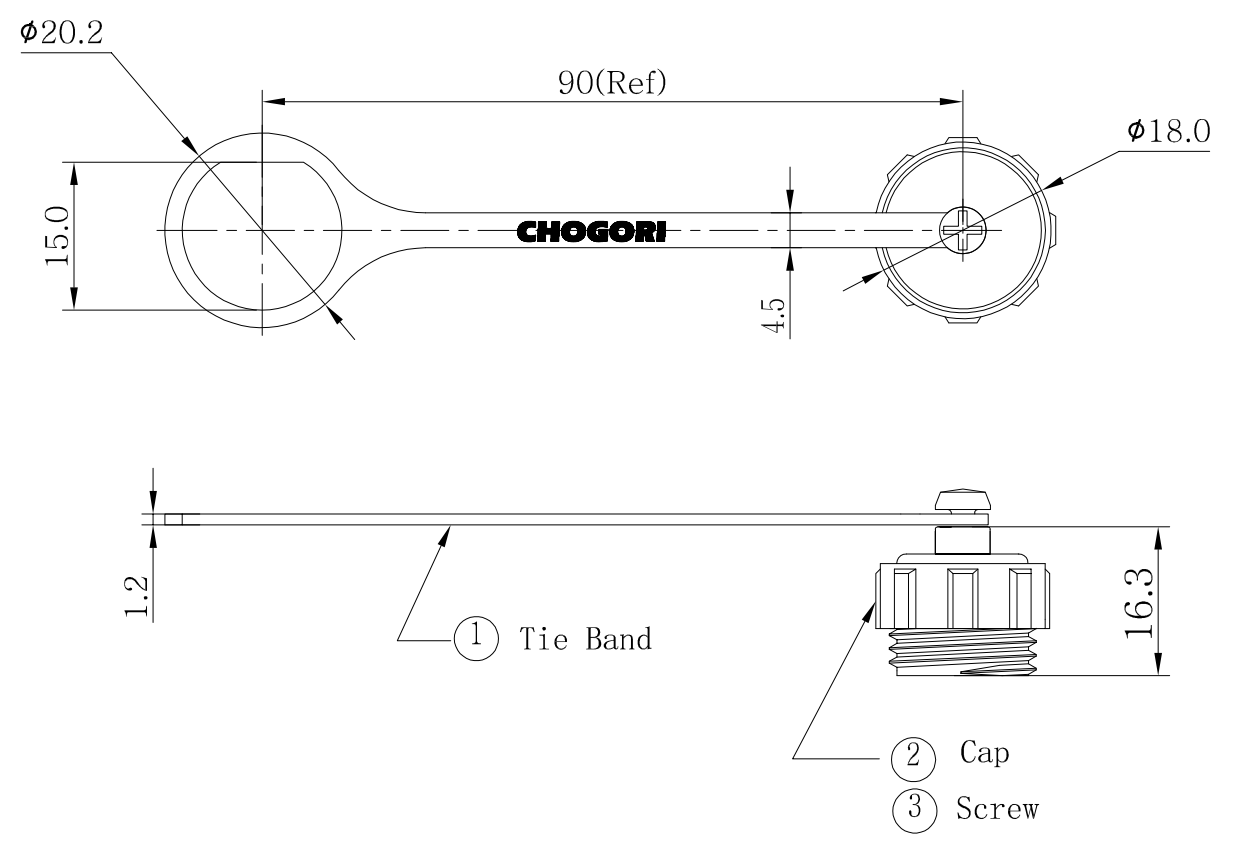


1	2	3	4	5	6	7	8	
				REV.	ECN NO.	DESCRIPTION	SIGN	DATE
				C1	N/A	INITIAL DRAWING	Yumer	2020/05/14

F  
E  
D  
C  
B  
A

THIS INFORMATION IS CONFIDENTIAL AND IS DISCLOSED TO YOU ON CONDITION THAT NO FURTHER DISCLOSURE IS MADE BY YOU TO OTHER THAN CHOGORI PERSONNEL WITHOUT AUTHORIZATION FROM CHOGORI CORP.



Specification:  
 1.\* Important Dimension.  
 2.RoHS Compliant.  
 3.Cap : Nylon+ GF Black.  
 4.Screw : Stainless Steel.  
 5.Tie Bland : TPV Black.

UNIT:mm		DESCRIPTION		<b>CHOGORI</b> <sup>®</sup>	PART NO	806-00032-00	DRAWN BY	Yumer	DATE	2020/05/14
TOLERANCE		Standard Screw Type Male Plug Cap			DWG NO		CHECKED BY	Ivan	DATE	2020/05/14
.X	±0.25	SCALE.	1:1		SHEET	1 OF 1	APPROVED BY	Panson	DATE	2020/05/14
.XX	±0.15	REV.	C1	SIZE	A4					
.XXX	±0.05									
ANGLES	±1°									

1 2 3 4 5 6 7 8