

4

3

2

1

THIS DRAWING IS UNPUBLISHED.

RELEASED FOR PUBLICATION

20

LOC

DIST

REVISIONS

© COPYRIGHT 20

BY TYCO ELECTRONICS CORPORATION. ALL RIGHTS RESERVED.

DF

A5

P

LTR

DESCRIPTION

DATE

DWN

APVD

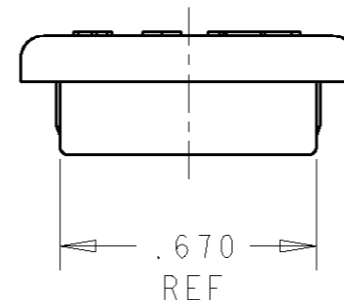
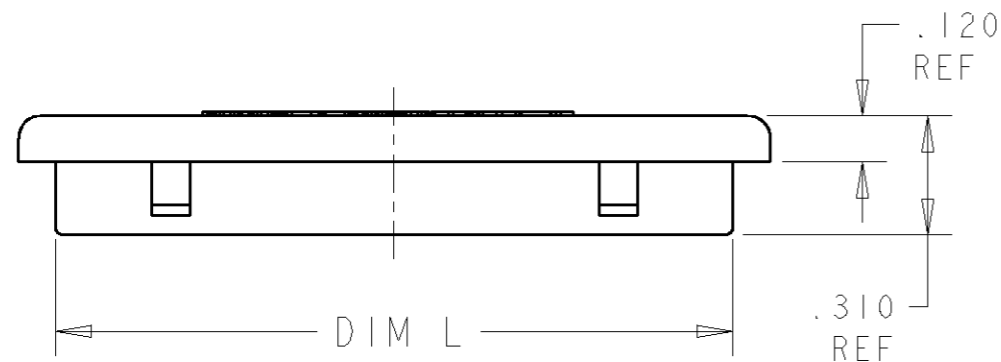
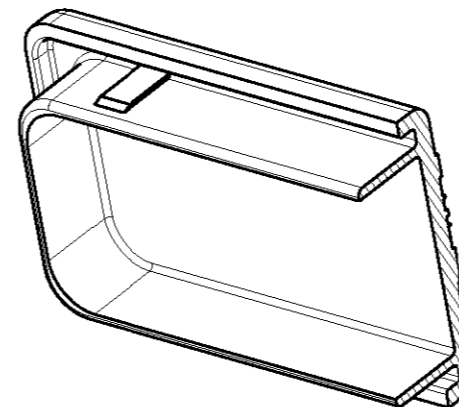
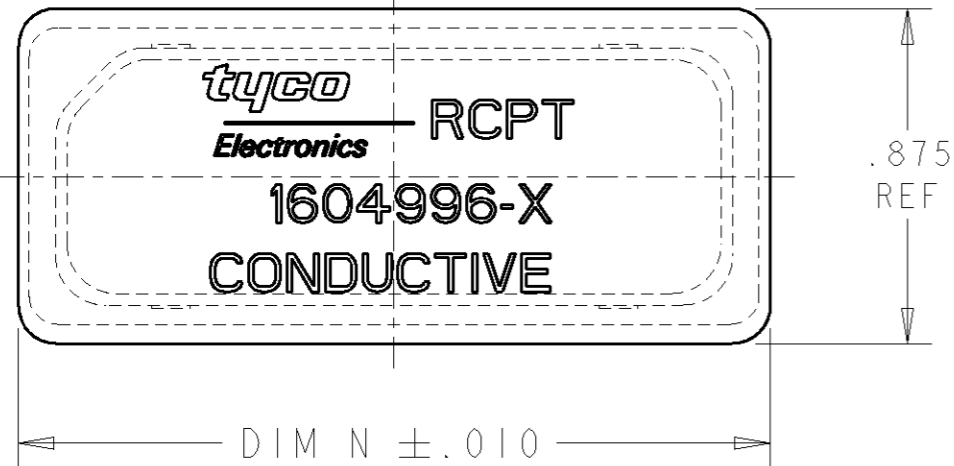
0

RELEASE PER 0H14-0409-04

15JUN2004

BW

WB



1.769	1.965	6 POSN (1604926 AND 1604927)	1604996-3
1.214	1.410	2 POSN (1604896 AND 1604897)	1604996-2
2.865	3.060	12 POSN (1604798 AND 1604799)	1604996-1
L	N±.010	USED ON	PART NUMBER
DIMENSIONS			

⚠ MATL: CONDUCTIVE POLYPROPYLENE  
COLOR: BLACK

THIS DRAWING IS A CONTROLLED DOCUMENT FOR TYCO ELECTRONICS CORPORATION  
IT IS SUBJECT TO CHANGE AND THE CONTROLLING ENGINEERING ORGANIZATION  
SHOULD BE CONTACTED FOR THE LATEST REVISION.

DIMENSIONS:	TOLERANCES UNLESS OTHERWISE SPECIFIED:
IN	
	0 PLC ±-
	1 PLC ±.1
	2 PLC ±.01
	3 PLC ±.005
	4 PLC ±.0020
	ANGLES ±1
MATERIAL	FINISH
⚠	-

DWN	15JUN2004
CHR	Brent D. Yohn
APVD	15JUN2004
W.H. BERNHART	
W.H. BERNHART	
PRODUCT SPEC	-
APPLICATION SPEC	-
WEIGHT	-
CUSTOMER DRAWING	

<b>tyco</b> Electronics		Tyco Electronics Harrisburg, PA 17105-3608	
NAME COVER, DUST, ESD, RECEPTACLE, BOEING QUADRAX RECTANGULAR			
SIZE	CAGE CODE	DRAWING NO	RESTRICTED TO
A3	00779	C-1604996	-
SCALE 2:1		SHEET 1	OF 1
		REV	0