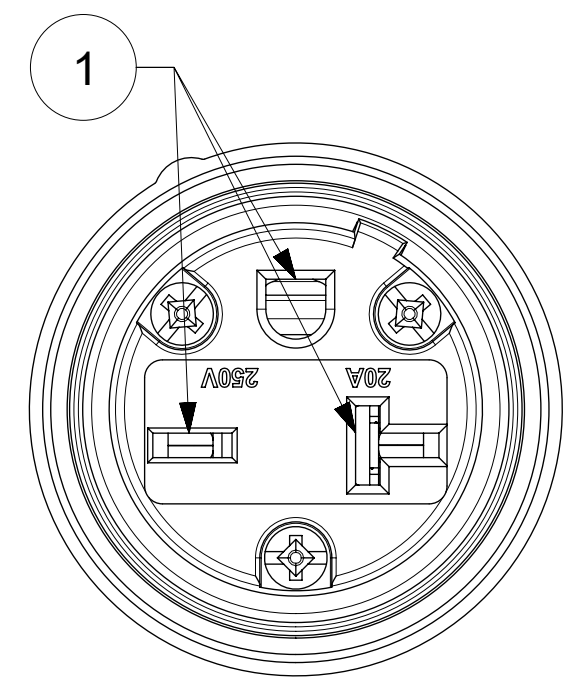
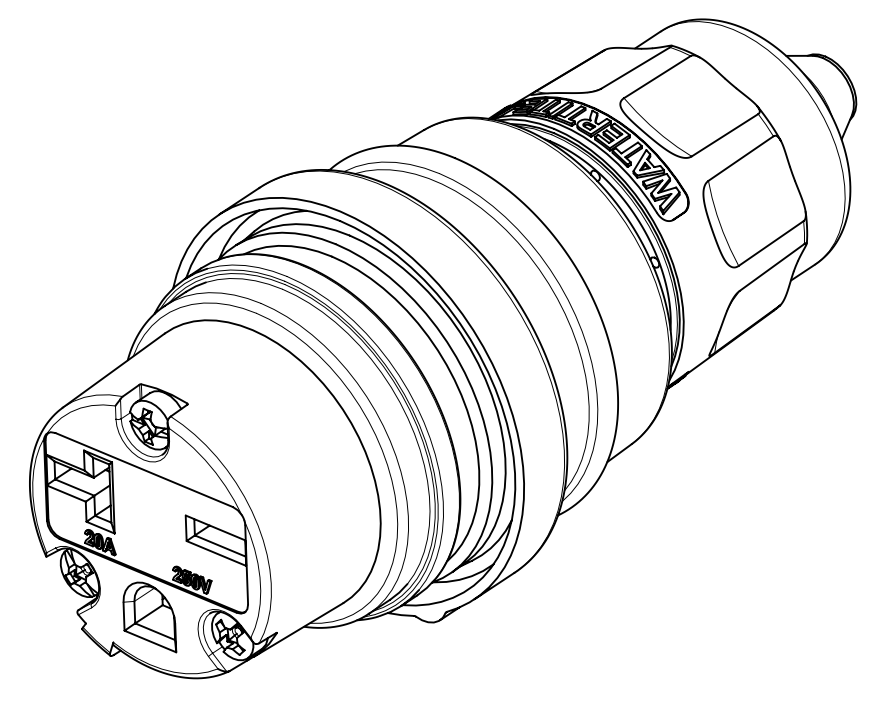
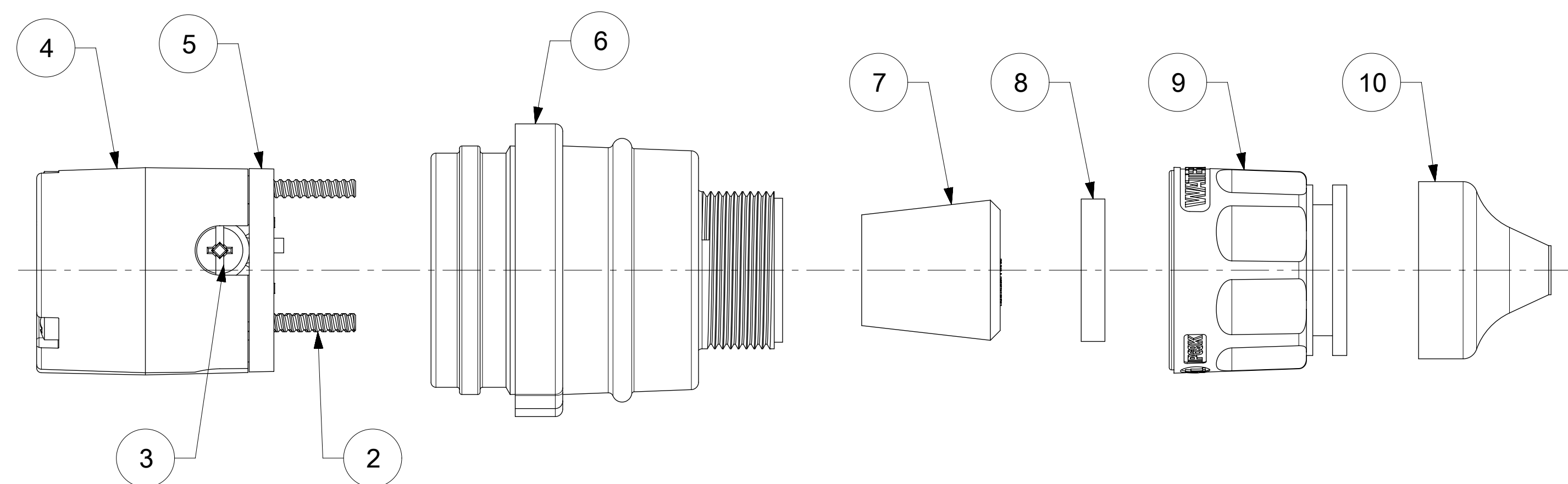
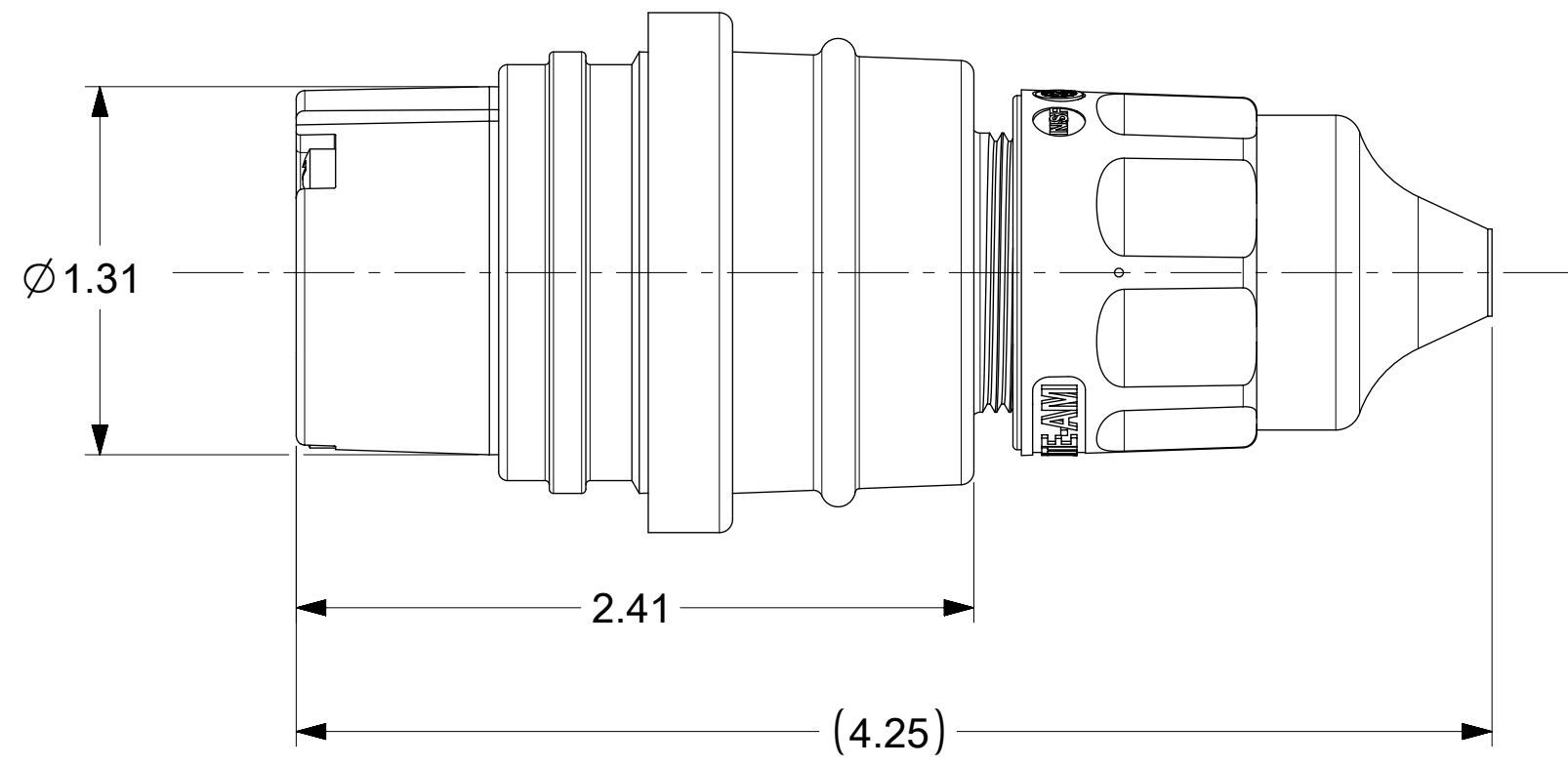


ORDER NO.	WOODHEAD NO.	COLOR
130146-0072	15W48MB	YELLOW



FACE VIEW



ITEM NO.	DESCRIPTIONS	MATERIAL	QTY.
1	BLADES	BRASS	3
2	RETAINING SCREWS	STAINLESS STEEL	3
3	TERMINAL SCREWS	BRASS, ZINC PLATED	3
4	INSERT	NYLON	1
5	TERMINAL COVER	POLYCARBONATE	1
6	HOUSING	SILICONE WITH NYLON THREAD	1
7	GROMMETS	RUBBER	5
8	FRICTION RING	NYLON	1
9	COMPRESSION NUT	NYLON	1
10	CABLE GLOVE	SILICONE	1

- NOTES:**
 1. SEE INSTRUCTION SHEET NUMBER 1301414770 FOR PRODUCT SPECIFICATION.
 2. CABLE RANGE FROM 0.375" TO 0.625"

THIS DRAWING CONTAINS INFORMATION THAT IS PROPRIETARY TO MOLEX ELECTRONIC TECHNOLOGIES, LLC AND SHOULD NOT BE USED WITHOUT WRITTEN PERMISSION			
DIMENSION UNITS	SCALE	CURRENT REV/DESC: RELEASED.	
INCH	NTS	 WATERTITE CONNECTOR, 6-20R PRODUCT CUSTOMER DRAWING	
GENERAL TOLERANCES (UNLESS SPECIFIED)			
ANGULAR TOL	± 0.5°		
4 PLACES	±		
3 PLACES	± 0.005		
2 PLACES	± 0.01	EC NO: 615397	2019/03/13
1 PLACE	± 0.02	DRWN: VHANDI	2019/03/18
0 PLACES	±	CHK'D: DNGUYEN62	2020/05/22
DRAFT WHERE APPLICABLE MUST REMAIN WITHIN DIMENSIONS		APPR: HKNEELAND	2020/05/22
THIRD ANGLE PROJECTION		INITIAL REVISION:	
DRAWING		DRWN: NVELUSAMY	2018/10/29
SERIES		APPR: HKNEELAND	2019/02/18
C-SIZE		130146	
MATERIAL NUMBER		CUSTOMER	SHEET NUMBER
SEE TABLE		GENERAL MARKET	1 OF 1