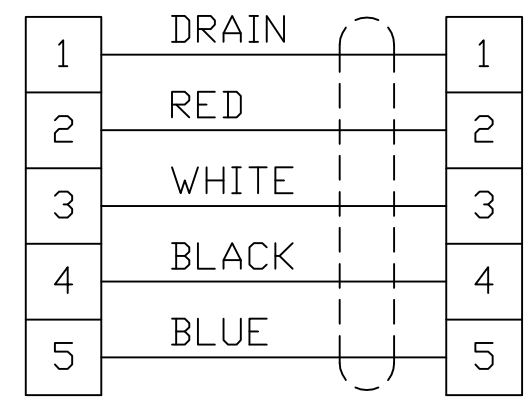
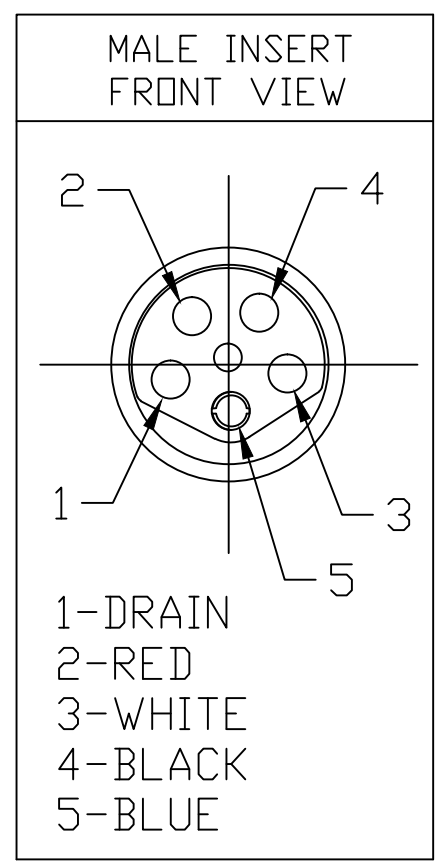
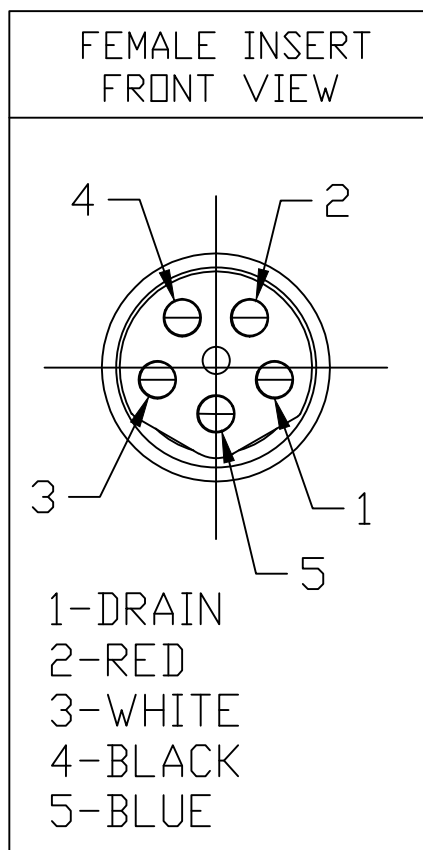
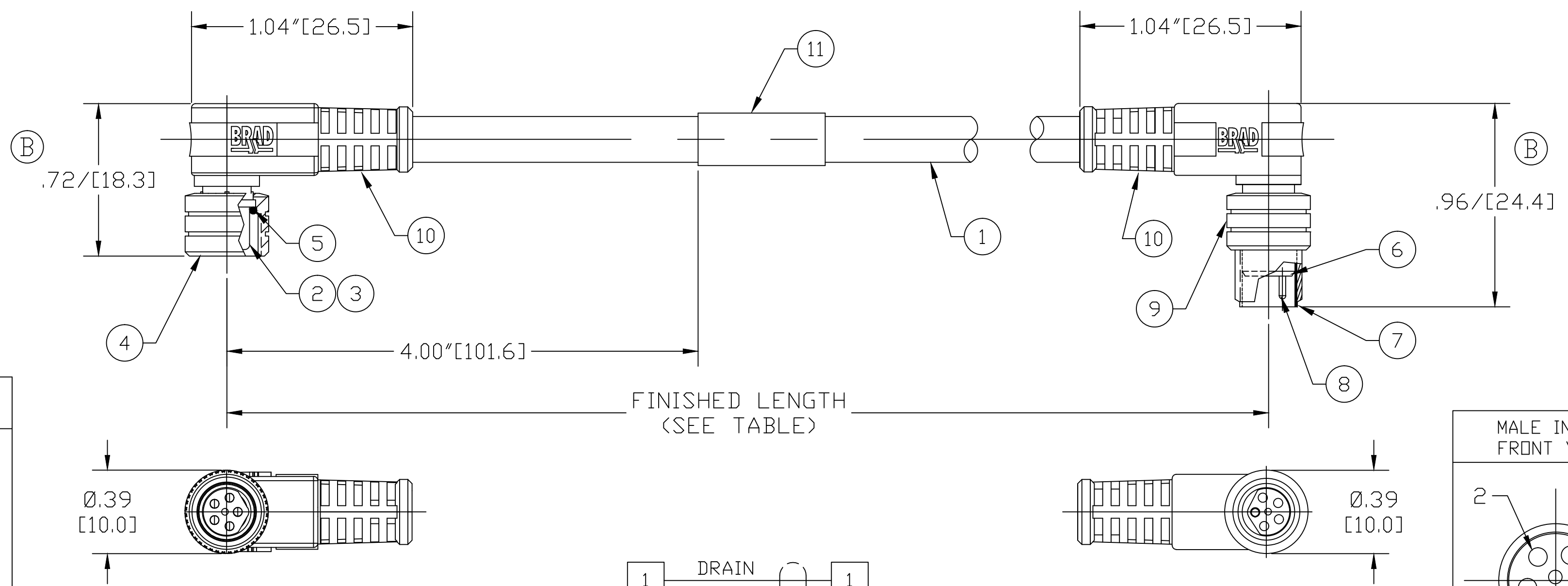


MATERIAL NUMBER	OLD PART NUMBER	FINISHED LENGTH
1300300089	445033D12M010	3.28' +2.31" -0 [1.0M +58.7mm -0]



- NOTES:
1. MATERIAL: AS NOTED
 2. FINISH: AS NOTED
 3. ELECTRICAL:
VOLTAGE; 60VAC, 75VDC
CURRENT: 2A
 4. TEMP RATING: -25°TO +80°C
 5. PROTECTION: IP67 (WHEN MATED)
 6. COUPLING THREAD: M8 X 1
 7. ALL DIMS ARE FOR REFERENCE UNLESS NOTED OTHERWISE

445033D12M010

Wire type
26 AWG
Gray PVC

cable length
M020----2 Meter
M100----10 Meter

11	WRAP LABEL	VINYL	BLACK/YELLOW
10	OVERMOLD	TPE	YELLOW
9	COUPLING, MALE, M8	BRASS	NICKEL PLATED
8	CONTACT PIN	COPPER ALLOY	GOLD PLATED
7	SLEEVE	BRASS	NICKEL PLATED
6	MALE INSERT	PUR	BLACK
5	□-RING	VITON	RED
4	COUPLING, FEMALE, M8	BRASS	NICKEL PLATED
3	CONTACT SOCKET	COPPER ALLOY	GOLD PLATED
2	FEMALE INSERT	PUR	BLACK
1	CABLE, 2P, 26 AWG, SHLD	PVC	GRAY
ITEM	DESCRIPTION	MATERIAL	FINISH

TOL. WAS 2.19, ADD NOTES & DIMS EC NO.: IPG2017-0269 DRWN: RSTONE 9/12/16 CHKD: M ZIELIN 2016/09/15 APPR: BWOODMAN2013/08/14	QUALITY SYMBOL ▽=0 ▽=0	GENERAL TOLERANCES (UNLESS SPECIFIED) 4 PLACES ±--- ±--- 3 PLACES ±--- ±.005 2 PLACES ±0.13 ±.010 1 PLACE ±0.3 ±--- ANGULAR ±2° DRAFT WHERE APPLICABLE MUST REMAIN WITHIN DIMENSIONS	DIMENSION STYLE IN/MM DRAWN BY DATE EBRACKEN 2013/06/18 CHECKED BY DATE RSTONE APPROVED BY DATE BWOODMAN 2013/08/14 MATERIAL NO. -	SCALE --- DESIGN UNITS INCH THIRD ANGLE PROJECTION	TITLE NANO-CHANGE ASSEMBLY 5 POLE M/MFE 90/90 #26 AWG MOLEX INCORPORATED DOCUMENT NO. SD-130030-005 SHEET NO. 1 OF 1
	THIS DRAWING CONTAINS INFORMATION THAT IS PROPRIETARY TO MOLEX INCORPORATED AND SHOULD NOT BE USED WITHOUT WRITTEN PERMISSION				
	SIZE C				
	B				