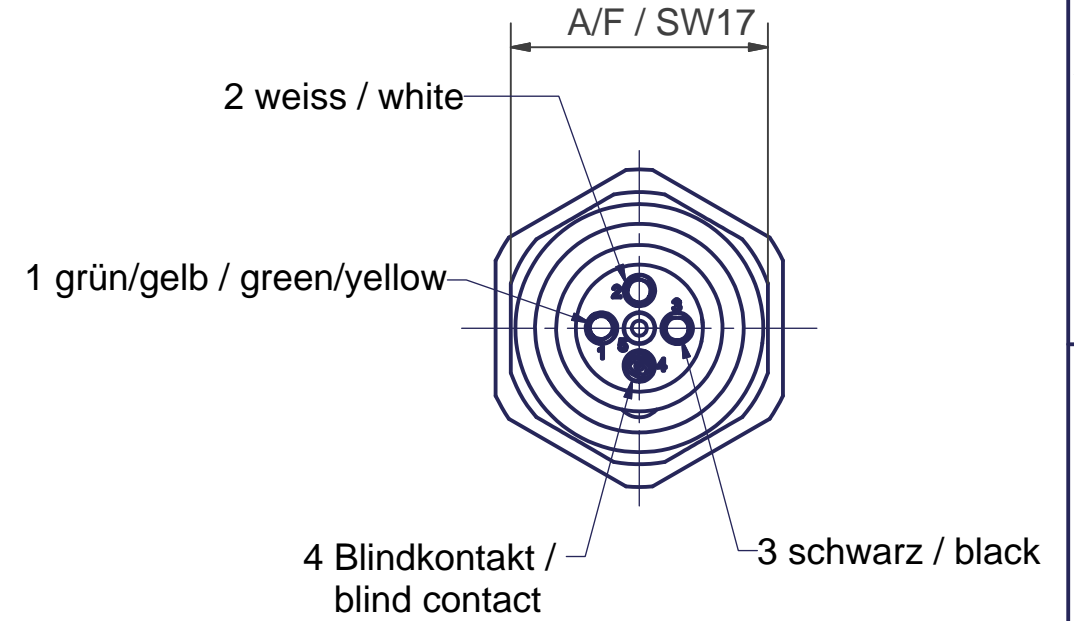
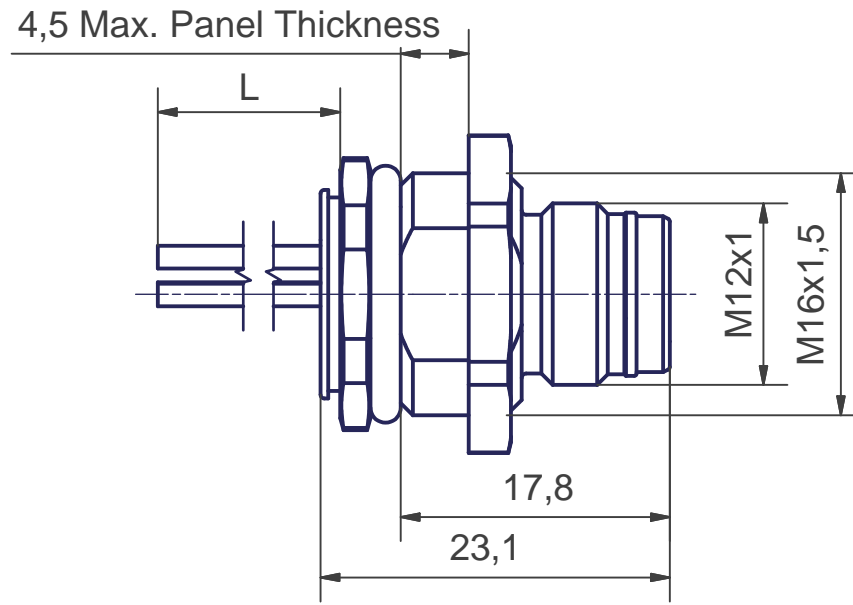
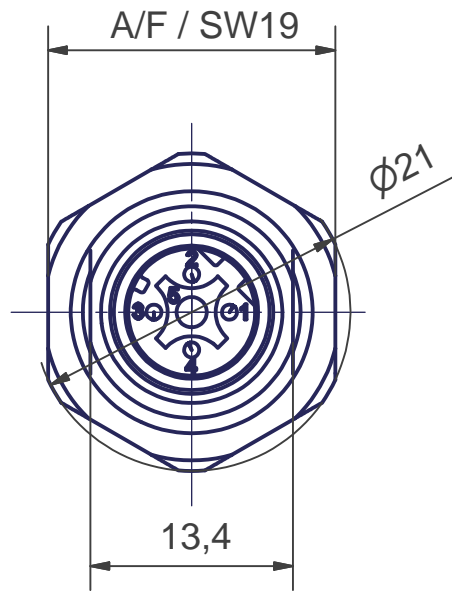
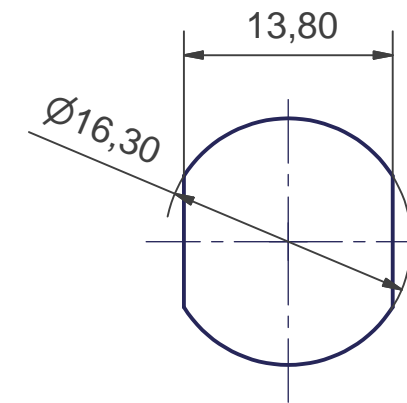


SAP Nr.	L
1200845039	300mm

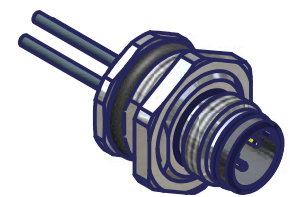


Allgemeine Kennwerte General Characteristics		Norm Standard	
Polzahl	Number of contacts		4
Kontaktanordnung	Contact configuration	IEC 947-5-2	
Bemessungsspannung	Rated Voltage	IEC 664	250V AC / DC
Verschmutzungsgrad	Pollution Degree	IEC 664	3
Betriebsstrom	Current carrying capacity	IEC 512-3 Test 5 b	4A
Durchgangswiderstand	Contact Resistance	IEC 512-2 Test 2 A	< 5m \square
Bemessungsstoßspannung	Rated Impulse Withstand Voltage	IEC 664	2kV
Prüfspannung	Test Voltage	IEC 60512-2 Test 4 A	1 kV / 60 sec
Isolationswiderstand	Insulation Resistance	IEC 512-2 Test 3 A	< 10 G \square
IP - Schutzart	IP Degree Of Protection	IEC 529	IP 67
Stift Durchmesser	Pin Diameter		1,0mm
Werkstoffe	Kontakte	Materials	Kupferlegierung / copper alloy
	Kontaktfläche		Au/Ni
	Kontaktträger		PA 6.6
	Dichtung (O-Ring)		NBR
	Gehäuse		CuZn (brass) mit Ni-Oberfläche Nickel Plated
Anschlußart	Termination		Crimp
Brennbarkeit	Kontaktträger	Flammfähigkeit	UL 94
	Leitung / Kabel		V-0
			VDE 0472 / 804
Mechanische Lebensdauer	Mechanical Operation		500 Steckzyklen / Mating Cycles
Temperaturbereich	Temperature Range	IEC 60668-1	-25°C / +90°C

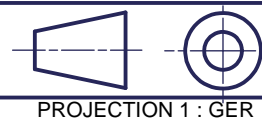
Ausschnitt / Cutout



(1:1)



This drawing and its contents are the proprietary and confidential property of Woodhead Industries Inc. and/or its subsidiaries and may not be used or disclosed to others without the express prior written consent of Woodhead Industries Inc. and/or its subsidiaries.



PROJECTION 1 : GER

UNLESS OTHERWISE SPECIFIED
 x = ± 1
 X.X = ± 0,1
 X.XX = ± 0,05
 Winkel = 1°

Scale 2:1 (1:1) Dimensions mm

Material Finish

	Date	Name
PROC	19.08.2008	US
CHK	19.08.2008	NS
Norm.	19.08.2008	NS

M12U 4-P Rec Male Back Shielded
 M16x1.5 D-Code 3- Wire
 SPR 080082

Woodhead Connectivity GmbH
 Gewerbestraße 60
 75015 Bretten-Gölshausen
 Tel.: 07252/9496-0
 Fax: 07252/9496-199

SD-120084-005

Sheet 1

Rev.	Change	Date	Name
01	WEU2009-0055	19.08.08	US

Filename SD-120084-005.idw

A3