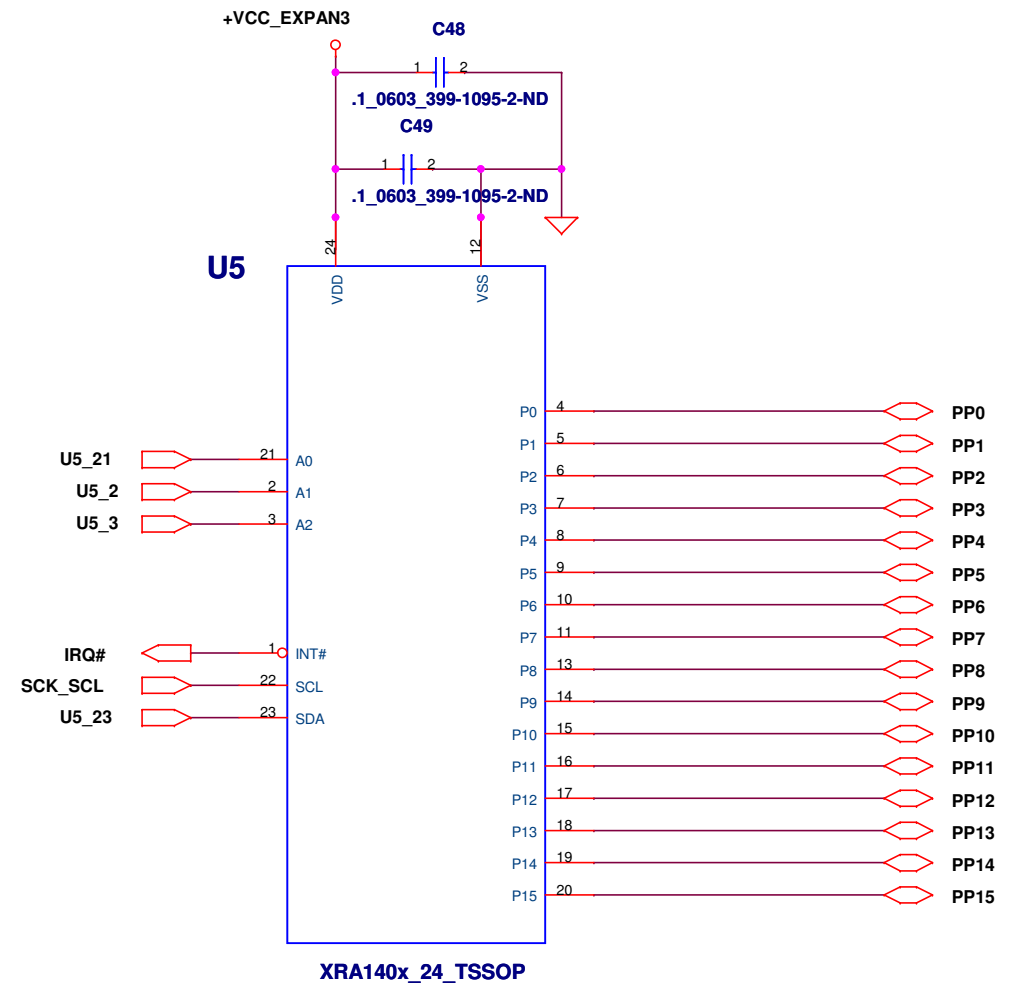
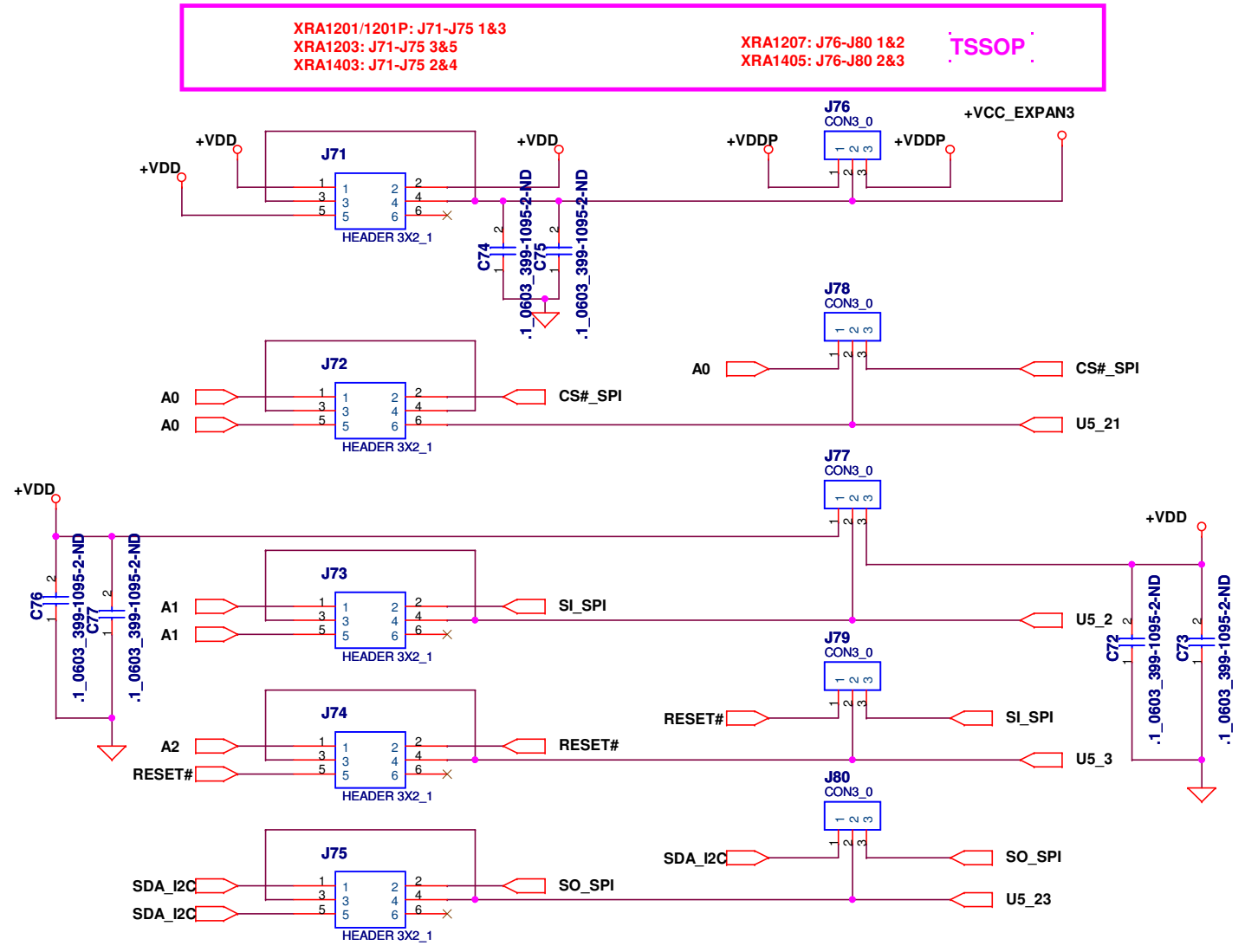
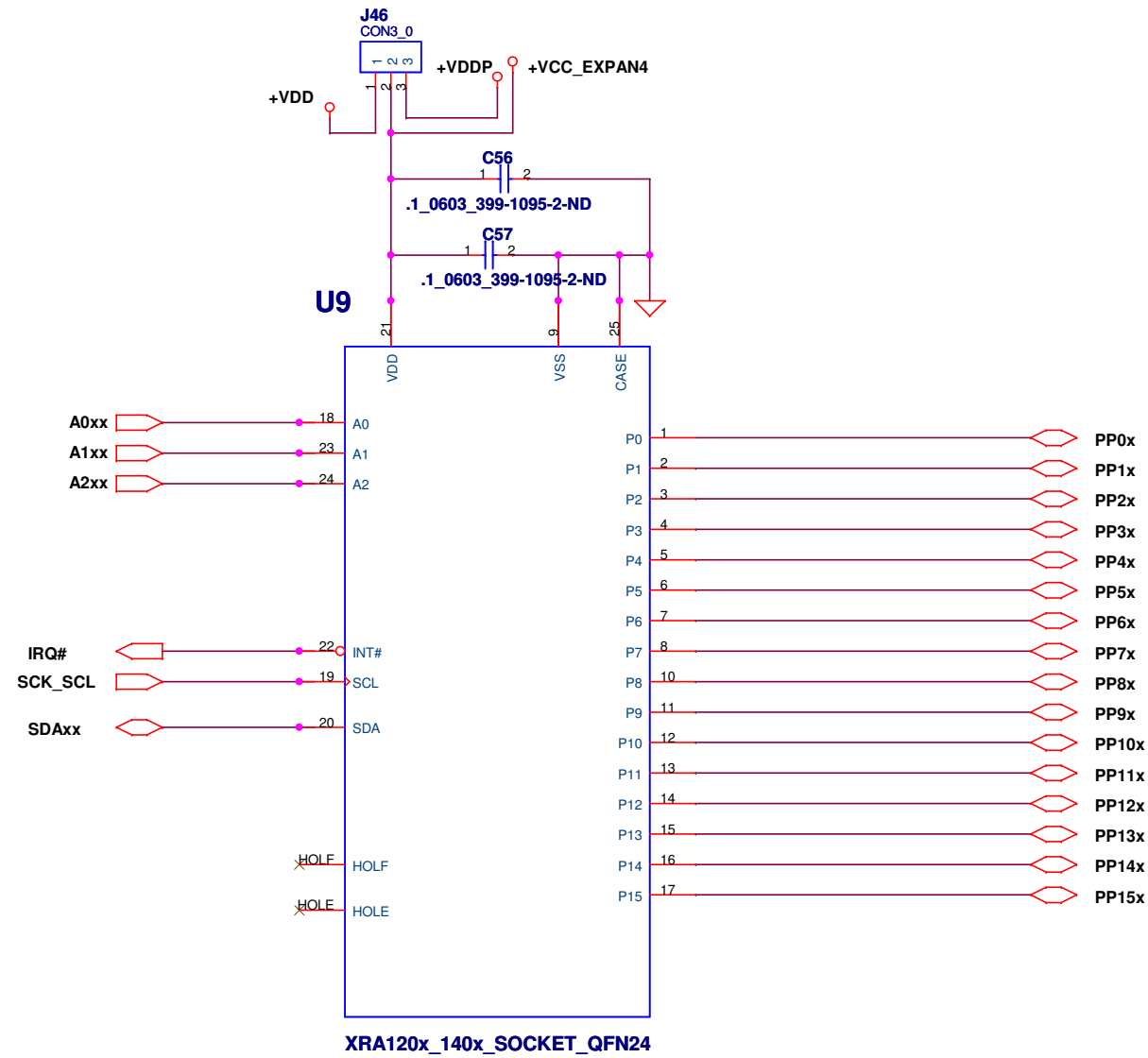


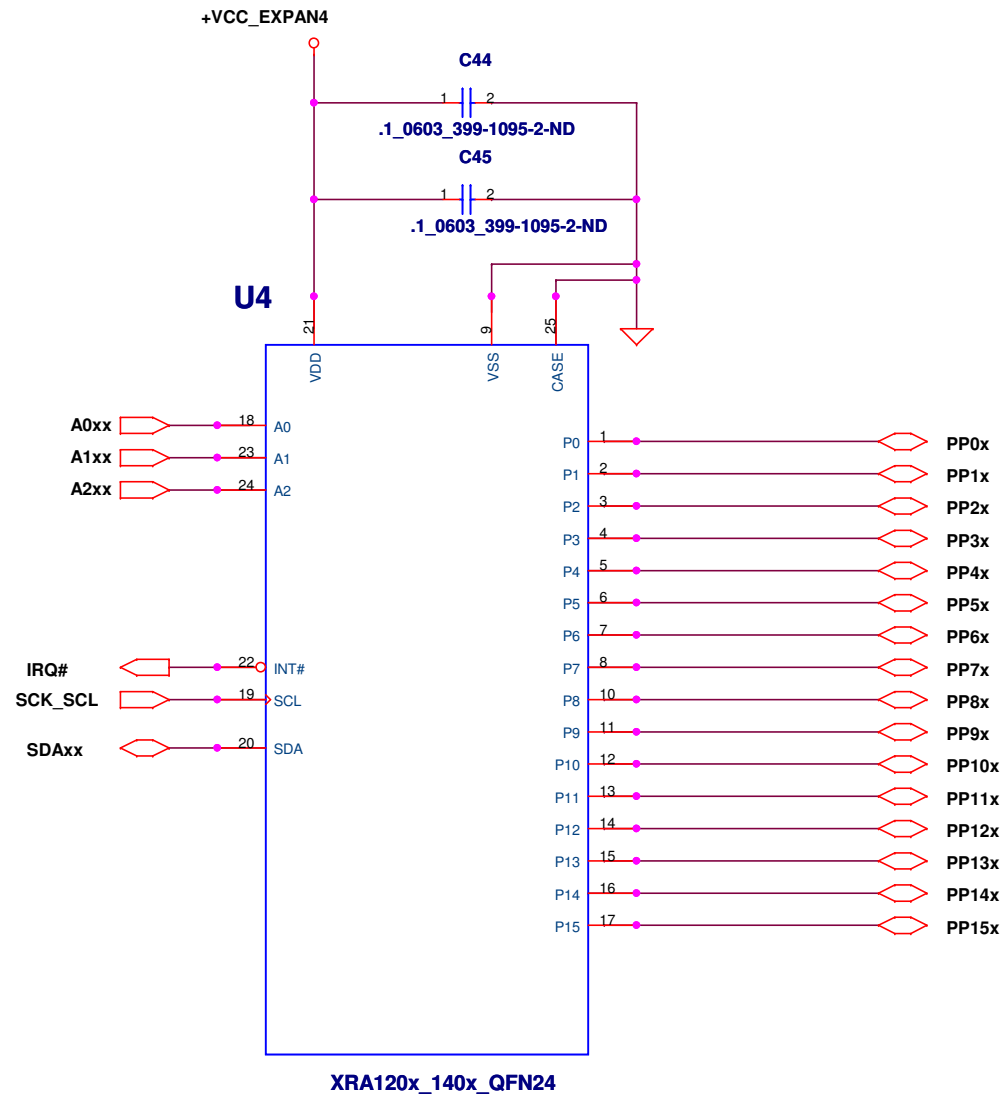
NOTE: NOT USED

XRA1201/1201P: J71-J75 1&3
 XRA1203: J71-J75 3&5
 XRA1403: J71-J75 2&4
 XRA1207: J76-J80 1&2
 XRA1405: J76-J80 2&3
TSSOP



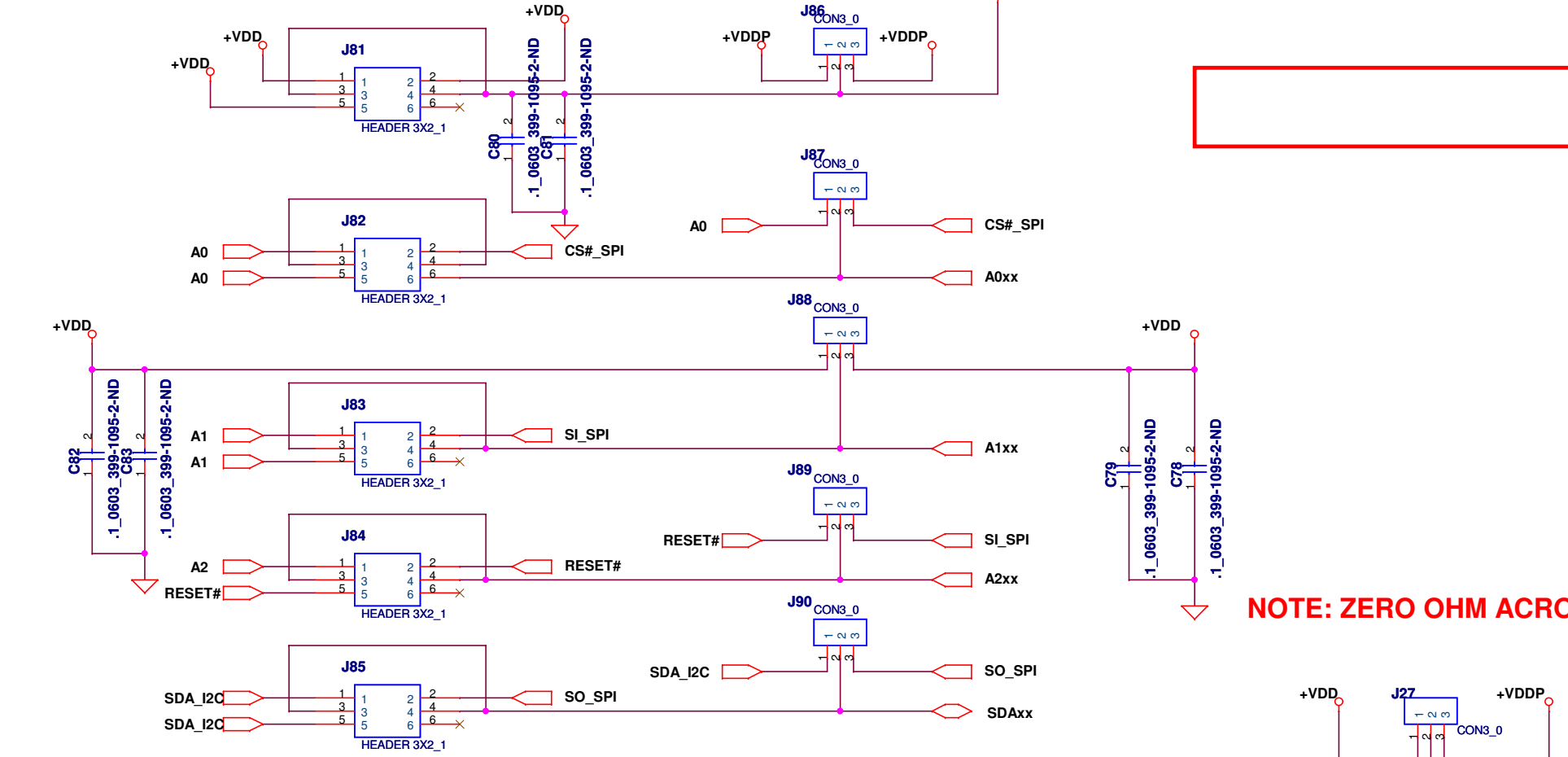


NOT INSTALLED

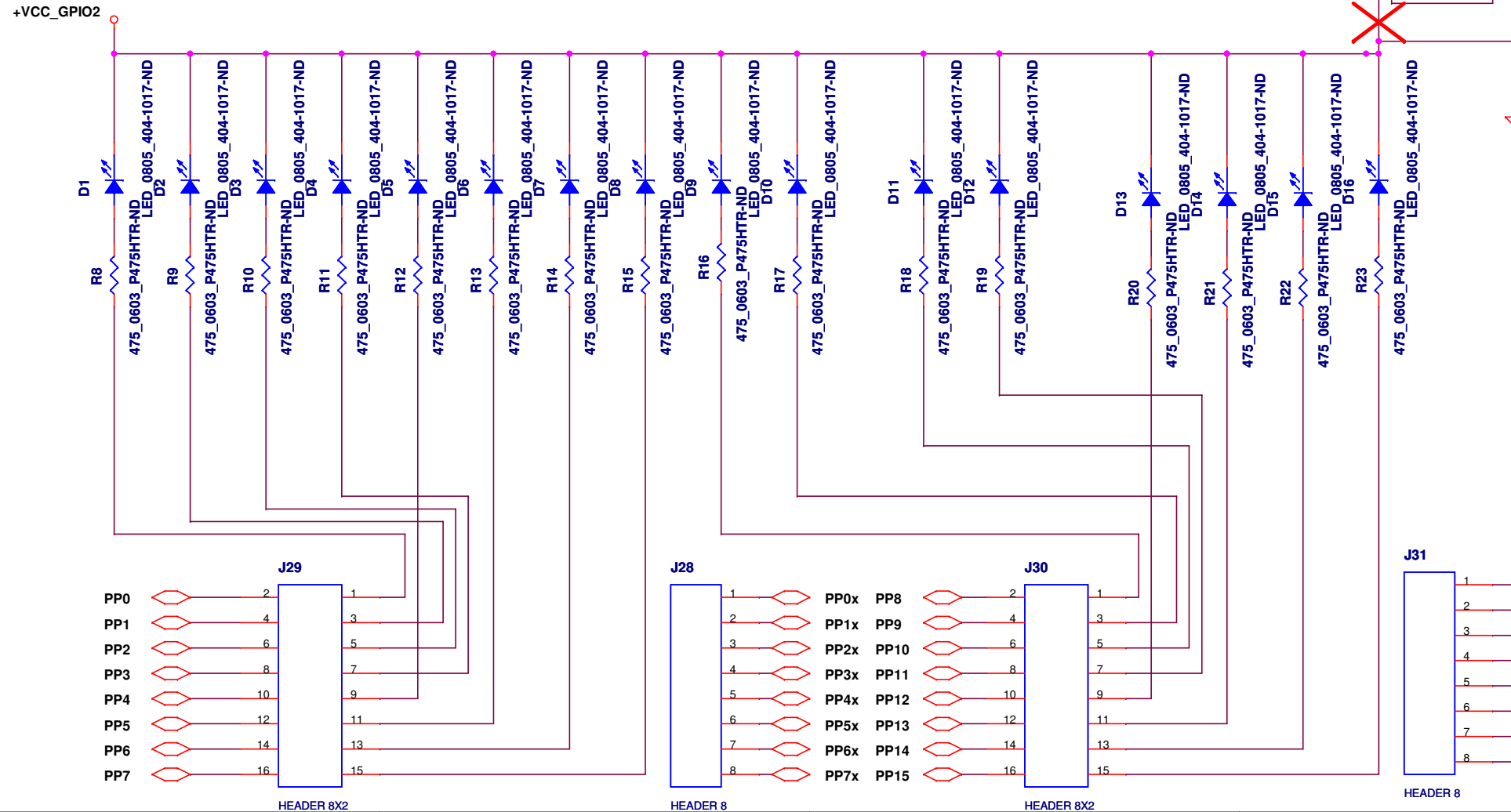
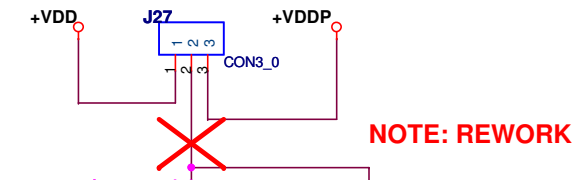


XRA1201/1201P: J81-J85 1&3
 XRA1203: J81-J85 3&5
 XRA1403: J81-J85 2&4

XRA1207: J86-J90 1&2
 XRA1405: J86-J90 2&3 +VCC_EXPAN4



NOTE: ZERO OHM ACROSS J29 & J30 WHEN QFN DEVICE IS USED



Title		
16-BIT XRA140x EVALUATION BOARD		
Size	Document Number	Rev
	CONTROL & EXPANSION SEL	1.0
Date:	Wednesday, October 05, 2011	Sheet 5 of 5