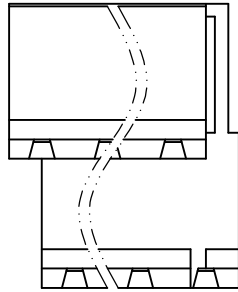
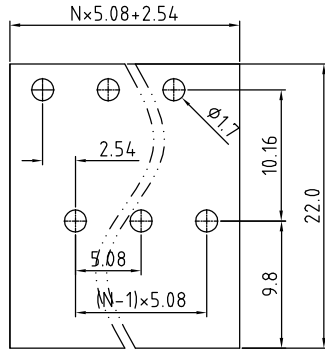
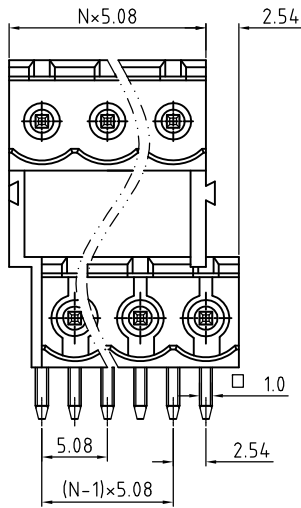


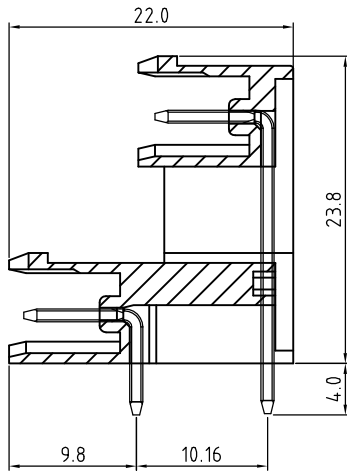
Transfer or duplication of this document as well as the utilisation or communication of its content are not permitted unless express consent is granted. Violations give rise to claims for damages. All rights reserved in case of patent, utility model or design patent registrations.



N=Number of contacts



PCB LAYOUT



Technical Data:

Electrical

- Pitch: 5.08mm
- Voltage rating: 300V
- Current rating: 16 Amps
- Withstanding Voltage: 2500VAC(1min)

Mechanical:

- Operating temperature: -40°C to +105°C
- Soldering temperature
- Temperature= 250°C±10°C /5 seconds max
- Safety approval:
- RoHS Compliance

Part No.:

OSTVFXX5051

No. of Poles	COLOR
02 2 Poles	0: Black
03 3 Poles	2: Red
...	3: Orange
24 24 Poles	4: Yellow
	5: Green (Standard)
Nonstandard colors	6: Blue
Mins could apply	8: Grey

4	short Pin	Copper Alloy	Tin plated	1xN	
3	Long Pin	Copper Alloy	Tin plated	1xN	
2	Cover	PA66-30%GF UL94V		1	
1	Body	PA66-30%GF UL94V		1	
ITEM	NAME OF PART	MATERIAL	NOTES	Q"TY	
DWG.	DATE	UNITS:	MM	SHEET: 1 OF 1	Tolerance
CHK.	DATE	SCALE:	NONE 2.5:1 (:)	REV.: A	X. ±0.50
APP.	DATE	TITLE:	OSTVF SERIES 5.08MM OPEN RIGHT ANGLE		X.XX ±0.30 X.XX ±0.10 X° ±1°
		PART NO.	OSTVFXX5051		
		DWG NO.	OSTVFXX5051.DWG		

REV	△	SIGN	DESCRIPTION	CHK.	DATE
-----	---	------	-------------	------	------



ON-SHORE TECHNOLOGY, INC.