

Dear Customer,

With this INFINEON Technologies Information Note we would like to inform you about the following

**Package outline drawing datasheet update (tighten the b1 tolerance) for TO220 FullPAK Narrow Lead CoolMOS™ CE products**

N° 120/16

## Package outline drawing datasheet update (tighten the b1 tolerance) for TO220 FullPAK Narrow Lead CoolMOS™ CE products

### ► Products affected:

Sales Name	SP N°	OPN	Package
IPAN50R500CE	SP001508834	IPAN50R500CEXKSA1	PG-TO220-3-318
IPAN60R650CE	SP001508816	IPAN60R650CEXKSA1	PG-TO220-3-318
IPAN60R800CE	SP001508822	IPAN60R800CEXKSA1	PG-TO220-3-318
IPAN65R650CE	SP001508828	IPAN65R650CEXKSA1	PG-TO220-3-318

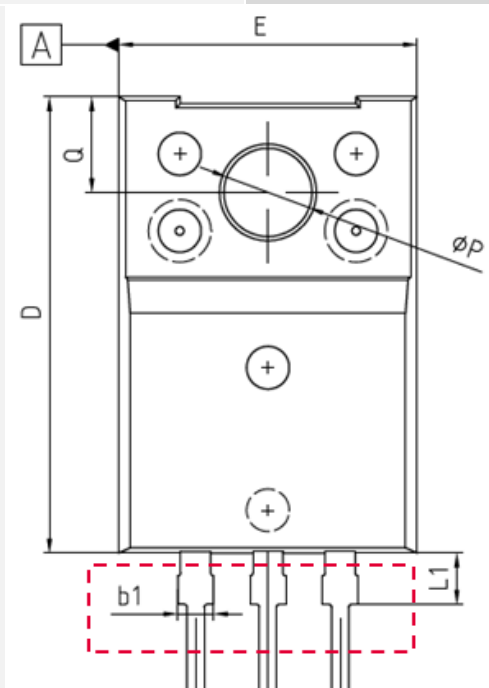
### ► Detailed Change Information:

**Subject:** Package outline drawing datasheet update (tighten the b1 tolerance) for TO220 FullPAK Narrow Lead CoolMOS™ CE products

**Reason:** Data sheet update to tighten the b1 tolerance.

**Description:** Old

New



For all 3 leads:  
 ■ b1 max value = 1.35 mm

For all 3 leads:  
 ■ b1 max value = 1.15 mm

N° 120/16

- ▶ **Product Identification:** Internal traceability: assured via lot number.
  
- ▶ **Impact of Change:** Positive change for production as the specification of b1 becomes tighter.  
Besides b1 max value dimension change as shown above, all other package outline dimensions remain the same.  
Function and reliability of the product remain the same.
  
- ▶ **Attachments:** N.A.
  
- ▶ **Intended start of delivery:** IPAN50R500CE: On next order  
IPAN60R650CE: From CW1646  
IPAN60R800CE: On next order  
IPAN65R650CE: From CW1649

If you have any questions, please do not hesitate to contact your local Sales office.