



BenchPro Workstations



Presented by: Xano Wang
Sales Director
BenchPro - Los Angeles Marketing Office
626-321-8219
xano@BenchPro.com

BenchPro™ dba BenchDepot.com

Headquarters in Tecate, California
135,000 sqf facility; Founded in 1983



Branches in Germany and Mexico

CCR & ORCA Registered
DUNS Number : 102383705
CAGE Code : 3BQL9
NAICS : 337127, 339111



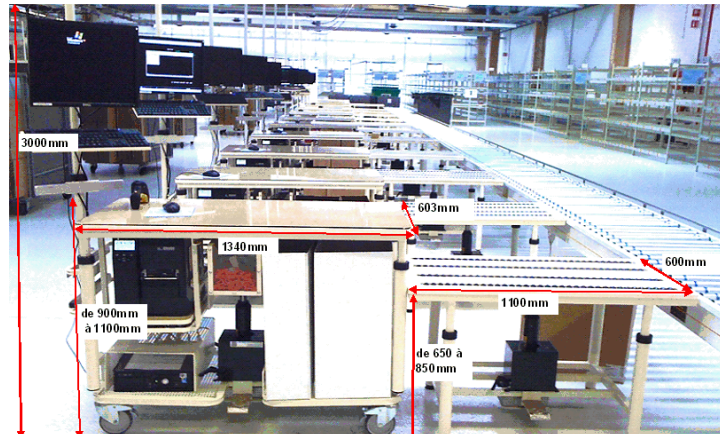
Laboratory Apparatus and Institutional Furniture
Manufacturing (e.g., benches, cabinets, stools, tables)



Study Case – Louis Vuitton Project

12 Custom work tables with metric Size, white color and custom Shelf

BenchPro deliver and install it in 2 Weeks



Why BenchPro?

It all looks the same on paper



Weight Capacity



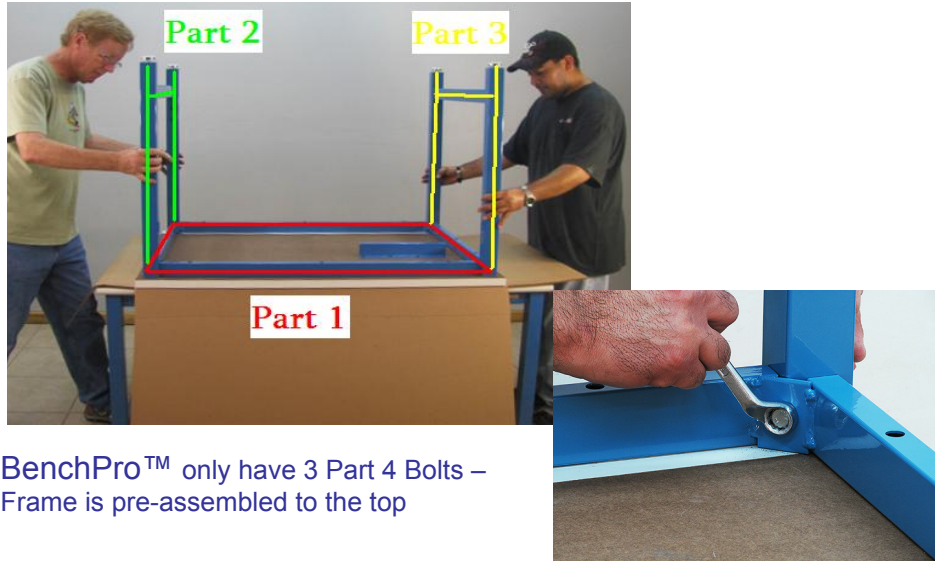
Better Design & Durable

BenchPro™ welds 0.25" steel on 2" tubing



Workbench Assembly

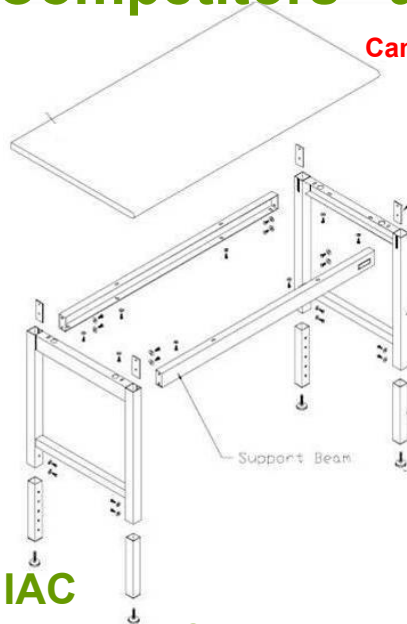
3 minute assembly or FULL REFUND



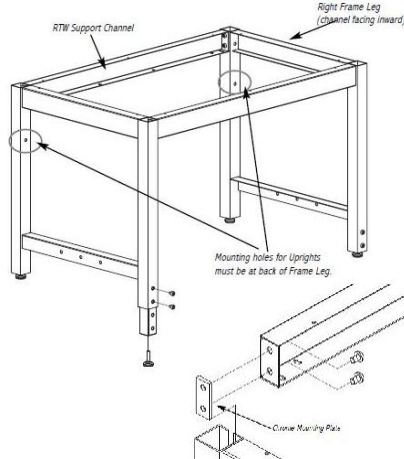
BenchPro™ only have 3 Part 4 Bolts –
Frame is pre-assembled to the top

Competitors' assembly

Can you do it in 30 minutes for each table?



IAC
13 parts & 56 bolt



Production Basics
23 parts & 28 bolts

BenchPro Harding Series

20,000 lb capacity - 5 minutes assembly

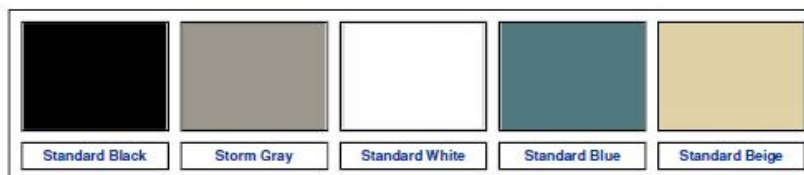
Defense, Military and Aviation 1st choice

Starting from \$ 350/bench



5 Business Days Lead Time

5 Frame colors option:



5 Top colors option:



**BenchPro offer 25 color combinations for the
SAME PRICE & SAME 5 BUSINESS DAYS LEAD TIME**

No Freight Damage

Most companies



30" x 60" bench on top of
Standard 48" x 48" pallet

custom 34" x 64" pallet



Custom pallet on every single order, made in-house. Free of charge

ESD Grounding System

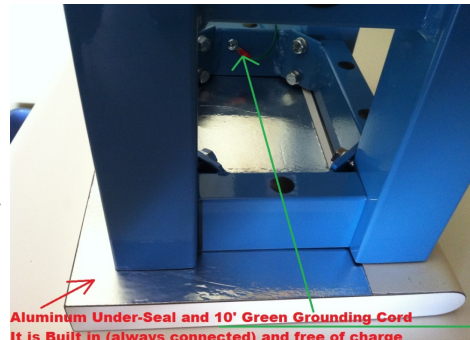
BenchPro use industrial grade aluminum sheet as under seal to ensure constant grounded anti-static work surface.

Our competitor's do NOT have this feature which opens the possibility of warping due to humidity and temperature change.



BenchPro ESD Workbench with
A. Left+Right WristStrap Jack
for both left and right handed
user
B. 10' Green Grounding Cord

It is Built-in (always connected)
and free of charge.



Aluminum Under-Seal and 10' Green Grounding Cord
It is Built in (always connected) and free of charge

BenchPro provides built-in
left and right wrist strap Jack
and 10' grounding cord installed
on frame.

Free-of-charge

Warranty

BenchPro™	25-year Unconditional Warranty No hassle process, no paperwork, no return shipment. Just an email with photos.
WSI	Implied warranty. Can't find written warranty on WSI website
Lista	Limited Lifetime Warranty "PRODUCTS PURCHASED BY LISTA, SUCH AS <u>WORK SURFACES, CASTERS, ELECTRICAL FIXTURES, AND MOTORS, ARE NOT COVERED BY LISTA</u> "
IAC	5-yr for wood/metal framed product

Marketing Support

Mini Bench →→→→→→→→→→→→



e-Flier w/ Inside Source info

Live Customer Service 888-700-9888 for instant quote

Cooler Pack →→→→→→→→→→→→



Every bench will ship w/ Inside Source Label and contact information

Happy Customers

From: L.D.L. [mailto:.....@meei.harvard.edu]

Sent: Monday, March 9, 2015 11:59 AM

Subject: Re: BenchPro Workbenches and Warranty!

Hi BenchPro,

I just finished putting together our latest purchase from you guys, which arrived today. I have no suggestions, I don't really see how you could improve on your benches!

We have bought MANY over the years when re-purposing rooms, and between the custom sizing, choice of materials, variety of accessories, ease of assembly, and sturdiness, I could not be a more satisfied customer.

I hope to be retired before our 25-year warranty period has expired (!), but so far we have no need to consider any replacement. Thanks for your message!

Best regards,

L.D.L.
Mass. Eye & Ear Infirmary
Harvard University

UC System, M.I.T., Merck, Kaiser Permanente, St. Jude Hospital, GE, many more



Question?

Thank You

Presented by: Xano Wang
Sales Director
626-321-8219

xano@benchpro.com
www.benchdepot.com

