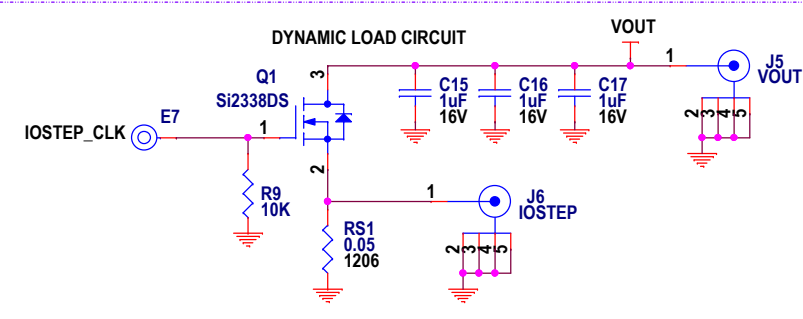
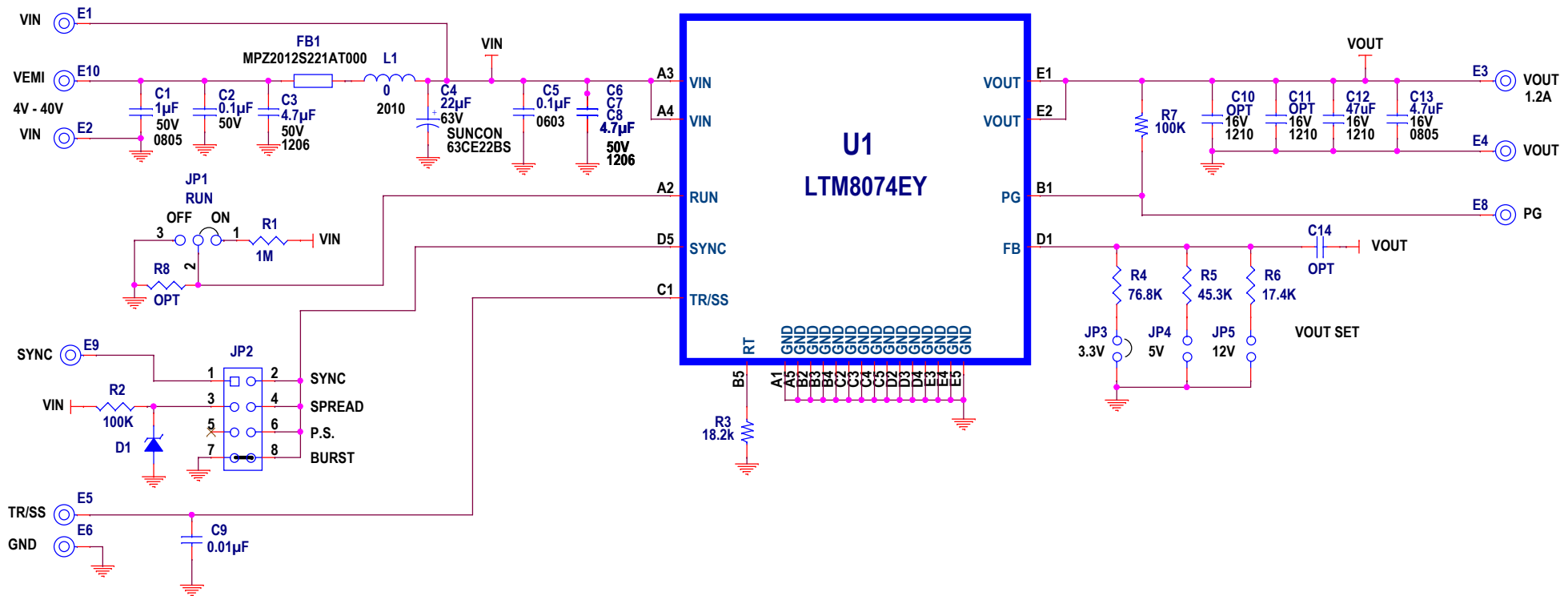




REVISION HISTORY				
ECO	REV	DESCRIPTION	APPROVED	DATE
-	4	PRODUCTION	SAM Y.	04-25-18



NOTES: UNLESS OTHERWISE SPECIFIED

- ALL RESISTORS AND CAPACITORS ARE 0603.

<p>CUSTOMER NOTICE</p> <p>ANALOG DEVICES HAS MADE A BEST EFFORT TO DESIGN A CIRCUIT THAT MEETS CUSTOMER-SUPPLIED SPECIFICATIONS; HOWEVER, IT REMAINS THE CUSTOMER'S RESPONSIBILITY TO VERIFY PROPER AND RELIABLE OPERATION IN THE ACTUAL APPLICATION. COMPONENT SUBSTITUTION AND PRINTED CIRCUIT BOARD LAYOUT MAY SIGNIFICANTLY AFFECT CIRCUIT PERFORMANCE OR RELIABILITY. CONTACT ANALOG DEVICES APPLICATIONS ENGINEERING FOR ASSISTANCE.</p>	<p>APPROVALS</p> <table border="1"> <tr> <td>PCB DES.</td> <td>LT</td> </tr> <tr> <td>APP ENG.</td> <td>SY</td> </tr> </table>		PCB DES.	LT	APP ENG.	SY	  <p>www.analog.com Phone: (408)432-1900</p>
	PCB DES.	LT					
APP ENG.	SY						
<p>TITLE: SCHEMATIC</p> <p>STEP DOWN SILENT SWITCHER μMODULE REGULATOR</p>							
<p>THIS CIRCUIT IS PROPRIETARY TO ANALOG DEVICES AND SUPPLIED FOR USE WITH ANALOG DEVICES PARTS.</p>	<p>IC NO. LTM8074EY</p> <p>SKU NO. DC2753A</p>		<p>SCHEMATIC NO. AND REVISION:</p> <p>710-DC2753A_REV04</p>				
	<p>SIZE: N/A</p>	<p>DATE: 04-25-18</p>	<p>SHEET 1 OF 1</p>				