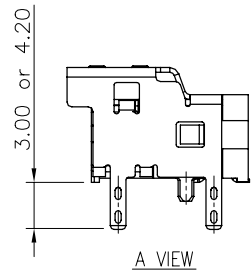
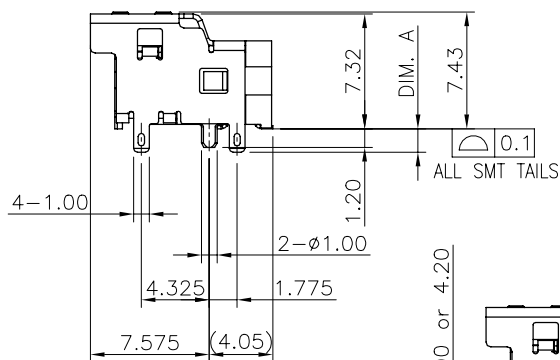
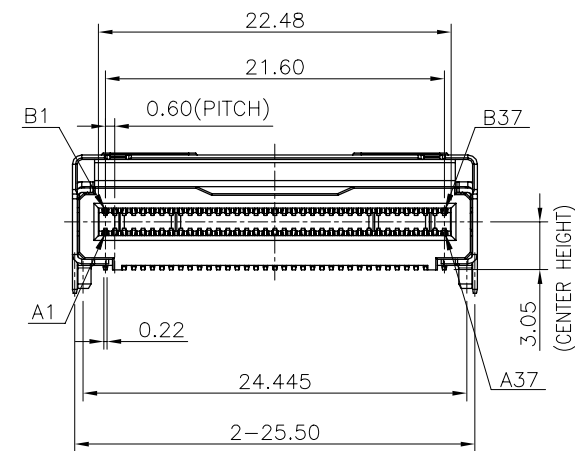
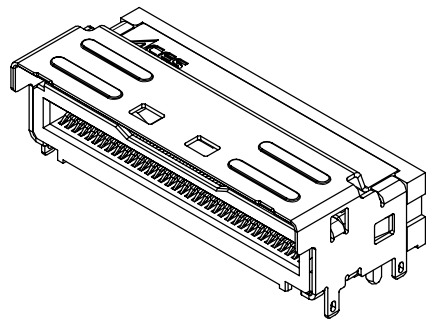
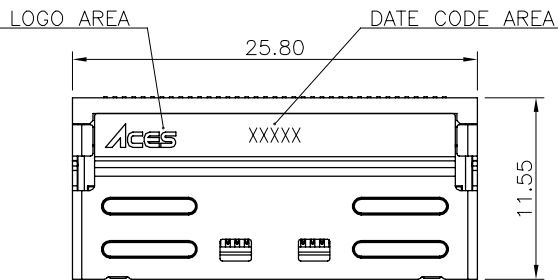


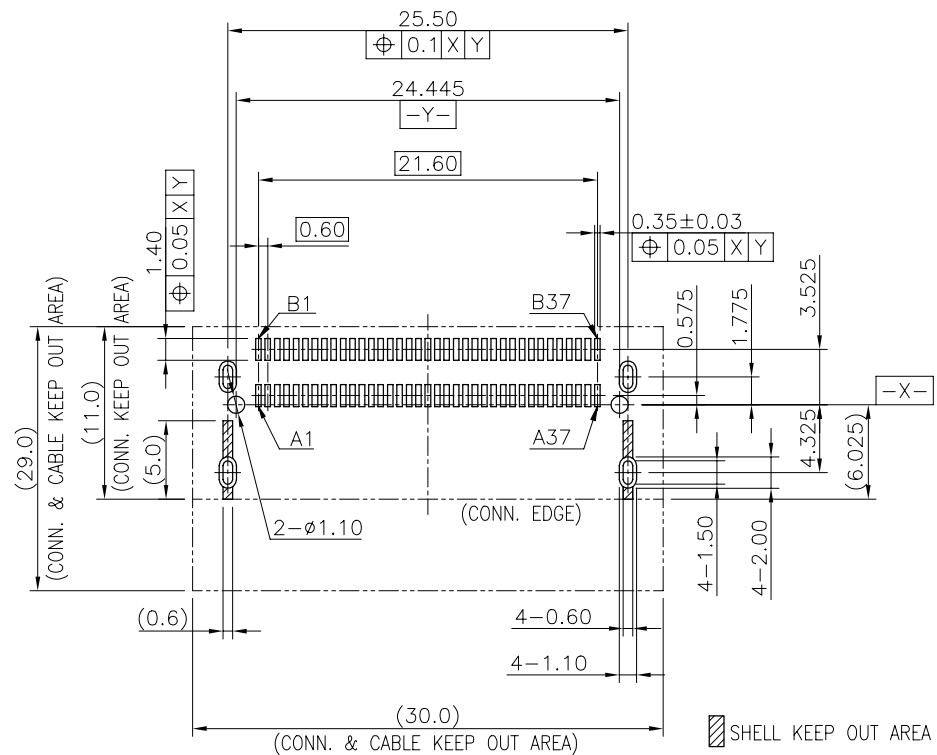


PROPOSAL DRAWING



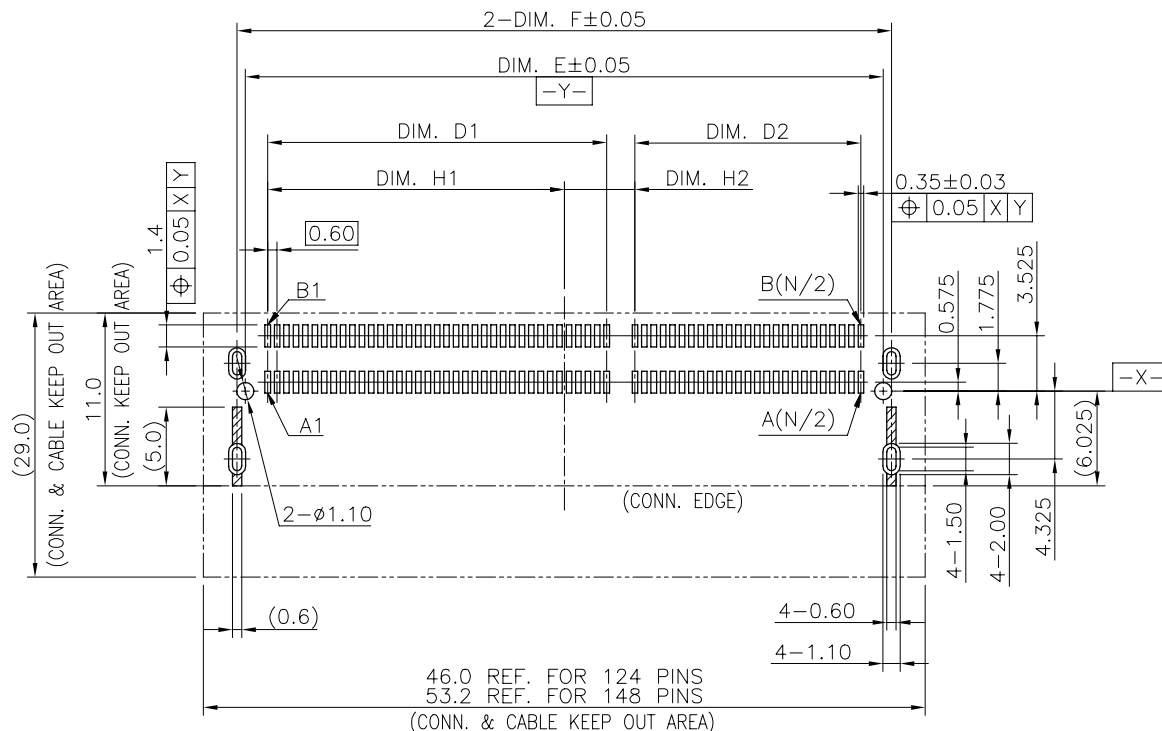
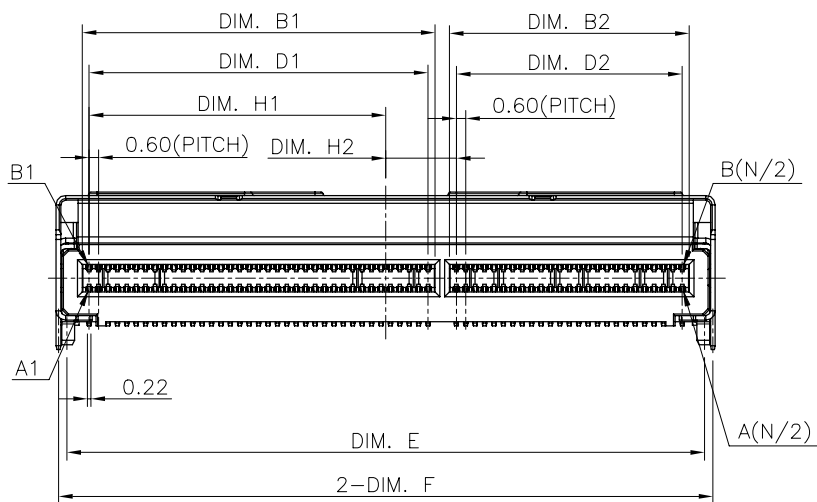
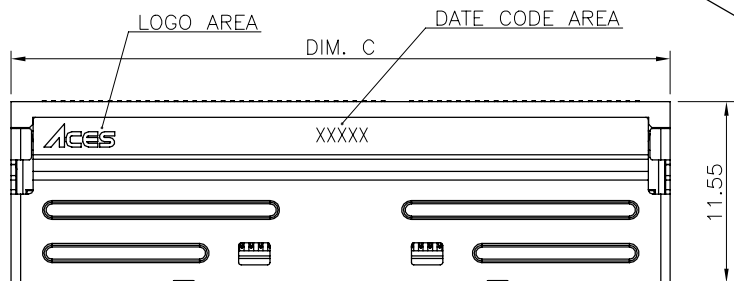
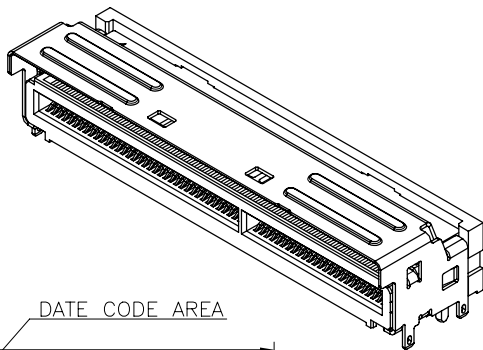
SHELL PIN LENGTH
3.00mm OR 4.20mm

74 POS.



RECOMMENDED PCB LAYOUT(TOP VIEW)
(GENERAL TOLERANCES : ±0.05)

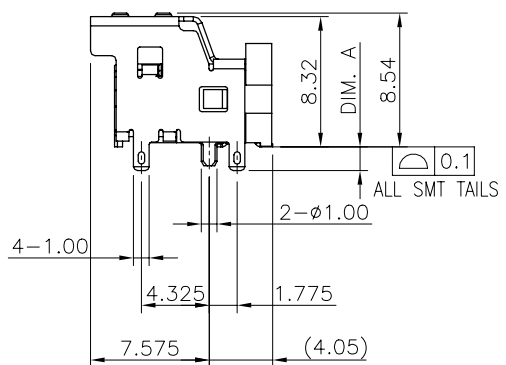
QUALITY SYMBOLS MAJOR Ⓢ CRITICAL Ⓢ GENERAL TOLERANCES (UNLESS SPECIFIED) X. ±0.5 .X ±0.25 .XX ±0.15 .XXX ±0.1 ANGLES ±2°	DRAWN BY Huang, Kuo Hua	DATE 22'/06/13	
	CHECKED BY Chen, Chun Yuan	DATE 22'/06/13	
	APPROVED BY Wang, Chun Sheng	DATE 22'/06/13	TITLE MINI COOL EDGE 10 INTEGRATED CONNECTOR RIGHT ANGLE, 0.6 PITCH FOR PCIE, SMT TYPE
	UNITS mm		SIZE A4
	SCALE 2 : 1	SHEET NO. 2 OF 5	REV -
			RFG NO. N/A
			DWG NO. 52730-XXXX-XXX



46.0 REF. FOR 124 PINS
53.2 REF. FOR 148 PINS
(CONN. & CABLE KEEP OUT AREA)

RECOMMENDED PCB LAYOUT(TOP VIEW)
(GENERAL TOLERANCES : ±0.05)

☐ SHELL KEEP OUT AREA



PROPOSAL DRAWING

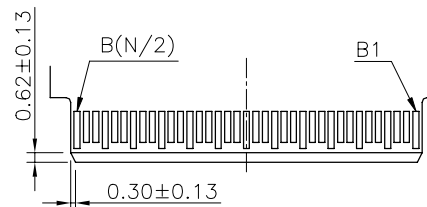
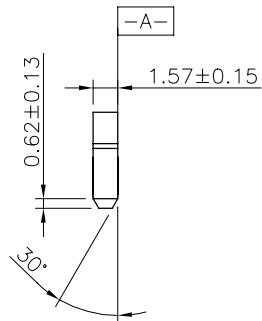
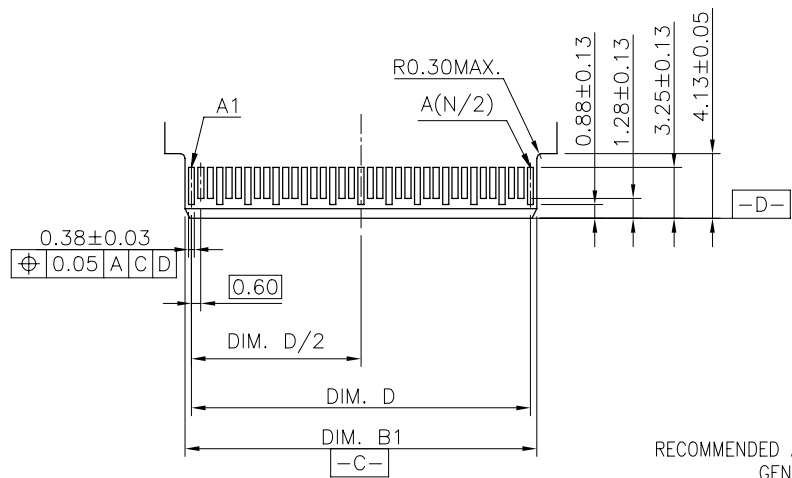
PART NUMBER	CKTS (N)	DIM. B1	DIM. B2	DIM. C	DIM. D1	DIM. D2	DIM. E	DIM. F	DIM. H1	DIM. H2
52730-124XX-XXX	124	22.48	15.28	42.00	21.60	14.40	40.645	41.70	18.90	4.50
52730-148XX-XXX	148	22.48	22.48	49.20	21.60	21.60	47.845	48.90	22.50	0.90

124 & 148 POS.

QUALITY SYMBOLS MAJOR Ⓢ CRITICAL Ⓢ	DRAWN BY Huang, Kuo Hua	DATE 22/06/13	
GENERAL TOLERANCES (UNLESS SPECIFIED)	CHECKED BY Chen, Chun Yuan	DATE 22/06/13	
X. ±0.5 .X ±0.25 .XX ±0.15 .XXX ±0.1 ANGLES ±2°	APPROVED BY Wang, Chun Sheng	DATE 22/06/13	TITLE MINI COOL EDGE 10 INTEGRATED CONNECTOR RIGHT ANGLE, 0.6 PITCH FOR PCIE, SMT TYPE
	UNITS mm	SCALE 2 : 1	SIZE A4
		SHEET NO. 3 OF 5	REV -
			RFQ NO. N/A
			DWG NO. 52730-XXXX-XXX

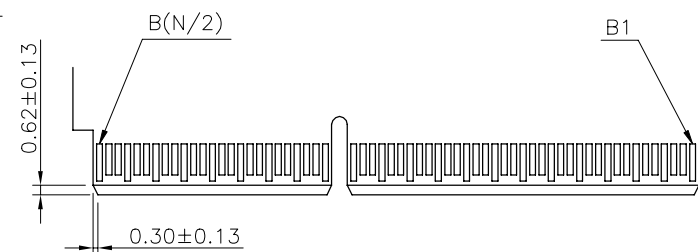
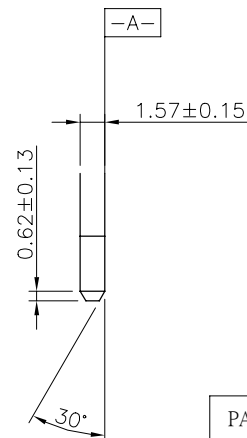
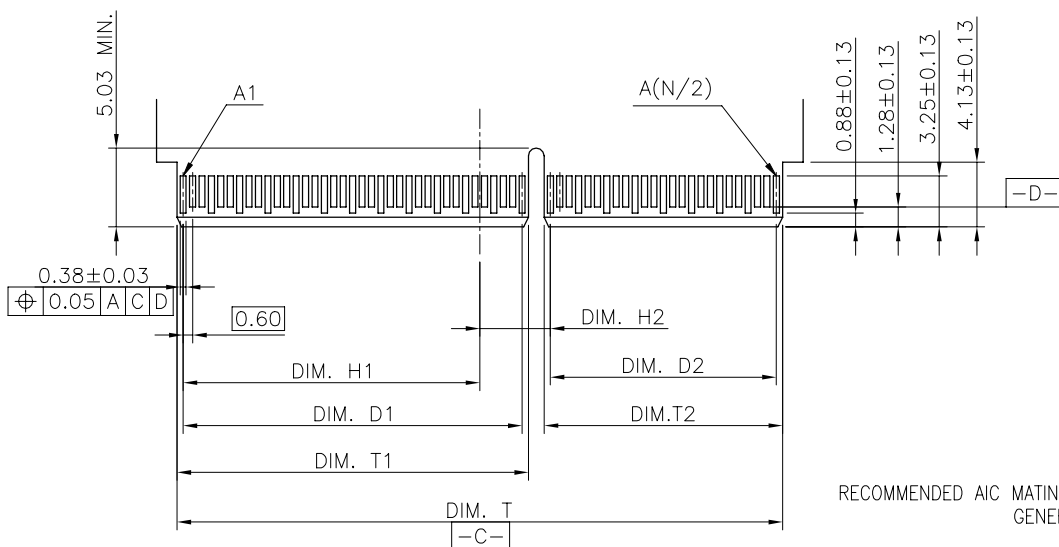
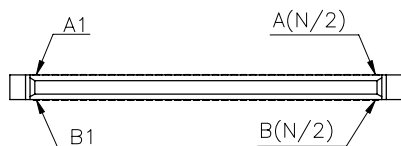


PROPOSAL DRAWING



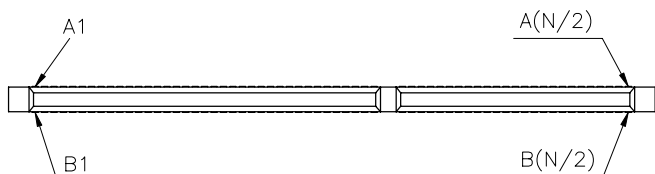
RECOMMENDED AIC MATING CARD DIMENSIONS(1 PORT)
GENERAL TOLERANCES : ±0.05

PART NUMBER	CKTS (N)	DIM. B1	DIM. D
52730-038XX-XXX	38	11.60	10.80
52730-050XX-XXX	50	15.20	14.40
52730-074XX-XXX	74	22.40	21.60



RECOMMENDED AIC MATING CARD DIMENSIONS(2 PORT_124 &148 PIN)
GENERAL TOLERANCES : ±0.05

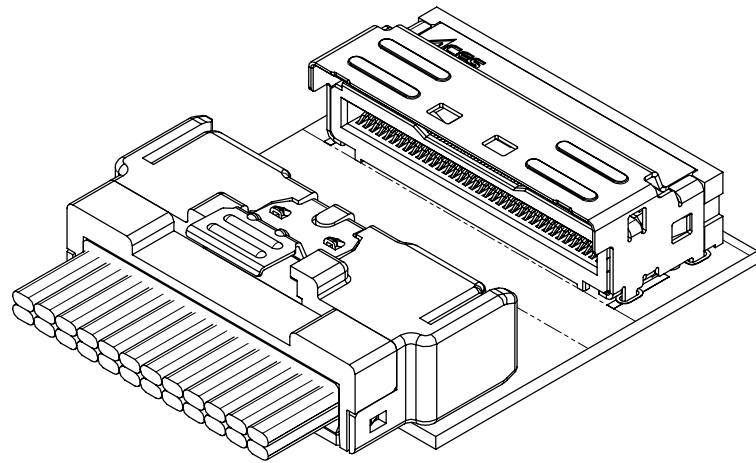
PART NUMBER	CKTS (N)	DIM. D1	DIM. D2	DIM. H1	DIM. H2	DIM. T	DIM. T1	DIM. T2
52730-124XX-XXX	124	21.60	14.40	18.90	4.50	38.60	22.40	15.2
52730-148XX-XXX	148	21.60	21.60	22.50	0.90	45.80	22.40	22.4



QUALITY SYMBOLS MAJOR CRITICAL GENERAL TOLERANCES (UNLESS SPECIFIED) X. ±0.5 .X ±0.25 .XX ±0.15 .XXX ±0.1 ANGLES ±2°	DRAWN BY Huang, Kuo Hua	DATE 22'/06/13		TITLE MINI COOL EDGE 10 INTEGRATED CONNECTOR RIGHT ANGLE, 0.6 PITCH FOR PCIE, SMT TYPE	
	CHECKED BY Chen, Chun Yuan	DATE 22'/06/13			SIZE A4
	APPROVED BY Wang, Chun Sheng	DATE 22'/06/13			RFG NO. N/A
	UNITS mm				SCALE NA
	SHEET NO. 4 OF 5	REV -	DWG NO. 52730-XXXXX-XXX		

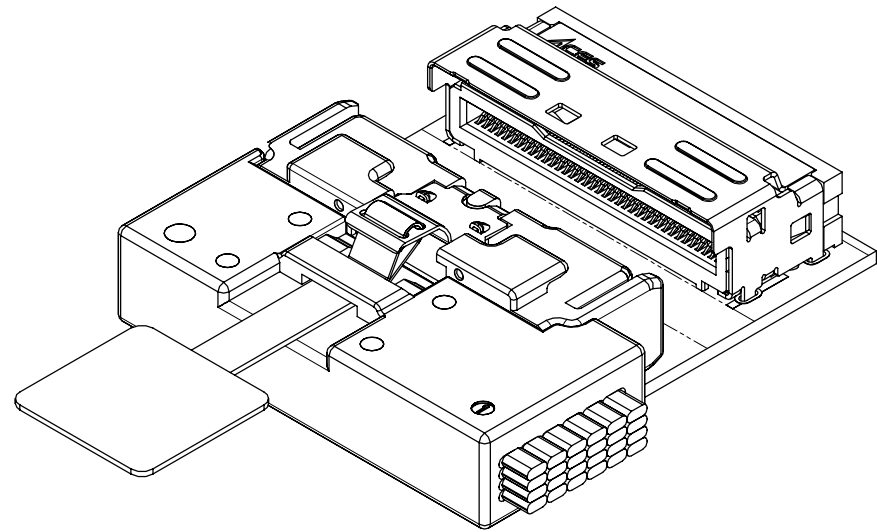
PROPOSAL DRAWING

RECEPTACLE--RIGHT ANGLE TYPE



PLUG--STRAIGHT TYPE

RECEPTACLE--RIGHT ANGLE TYPE



PLUG--SIDE ENTRY TYPE

RECOMMENDED MATING STYLE

QUALITY SYMBOLS MAJOR CRITICAL GENERAL TOLERANCES (UNLESS SPECIFIED) X. ±0.5 .X ±0.25 .XX ±0.15 .XXX ±0.1 ANGLES ±2°	DRAWN BY Huang, Kuo Hua	DATE 22'/06/13			
	CHECKED BY Chen, Chun Yuan	DATE 22'/06/13		TITLE MINI COOL EDGE 10 INTEGRATED CONNECTOR RIGHT ANGLE, 0.6 PITCH FOR PCIE, SMT TYPE	
	APPROVED BY Wang, Chun Sheng	DATE 22'/06/13	SIZE A4		RFQ NO. N/A
	UNITS mm		SCALE NA	SHEET NO. 5 OF 5	REV -