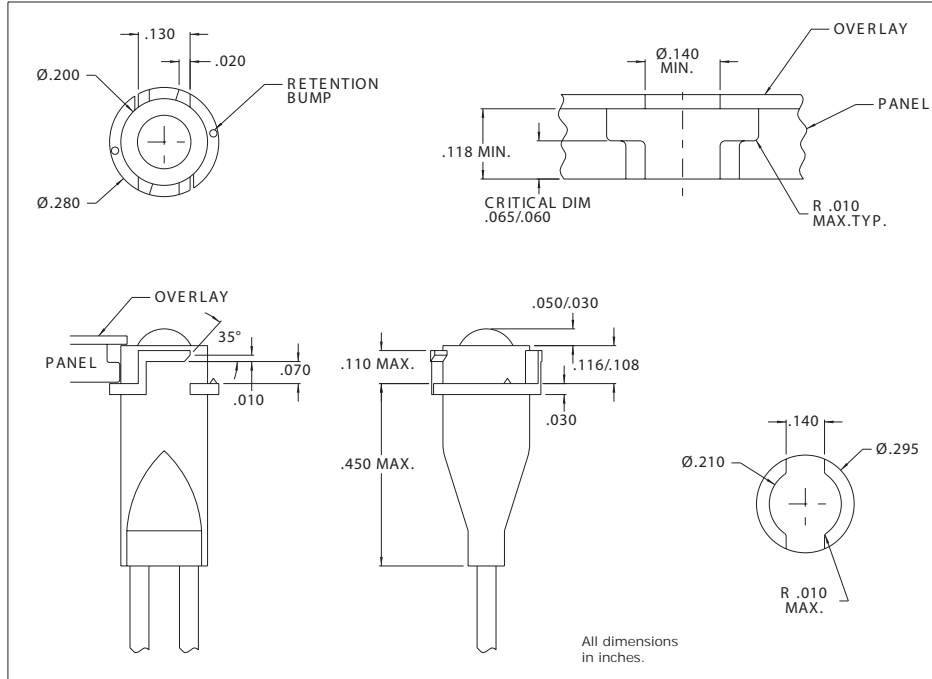




5120F Series Rear Panel Mounted LED Indicator Light

DESCRIPTION AND FEATURES



Features

- Super Brite T-1 LED.
- Diffused lens gives wide angle viewing.

Mounting: Rear twist into mounting hole specified.

Wire Leads: No.26 AWG, color: red/black, 4.4/4.8 long, stripped .430/.570

Anode(+): Red lead

Housing: Black nylon

ELECTRO-OPTICAL CHARACTERISTICS

| Part Number | Color | Typ. Intensity (mcd) | Rated Current (mA) | Continuous Forward Current Max. (mA) | Forward Voltage Typ. (V) | Forward Voltage Max. (V) | Peak Forward Current @ 1ms-300pps (A) | Reverse Break-down Voltage Min. (V) |
|-------------|--------|----------------------|--------------------|--------------------------------------|--------------------------|--------------------------|---------------------------------------|-------------------------------------|
| 5120F1 | Red | 10 | 10 | 30 | 2.0 | 3.0 | 1.0 | 5 |
| 5120F5 | Green | 16 | 10 | 30 | 2.2 | 3.0 | .09 | 5 |
| 5120F7 | Yellow | 6.3 | 10 | 30 | 2.1 | 3.0 | 1.0 | 5 |