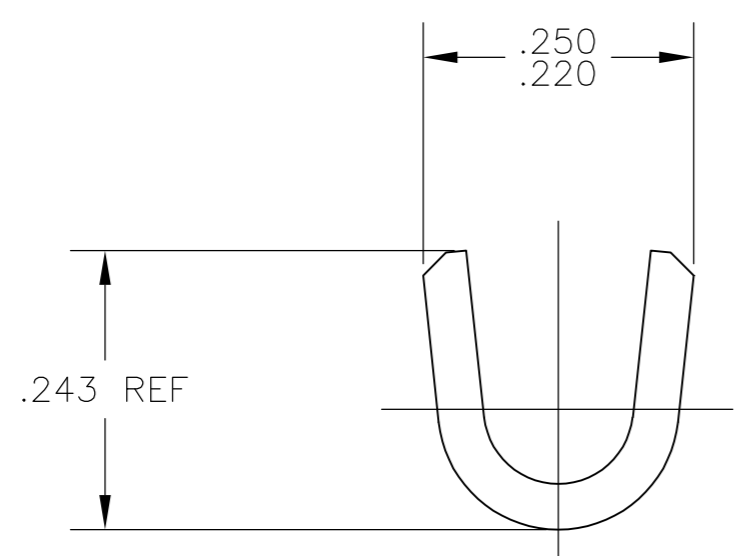
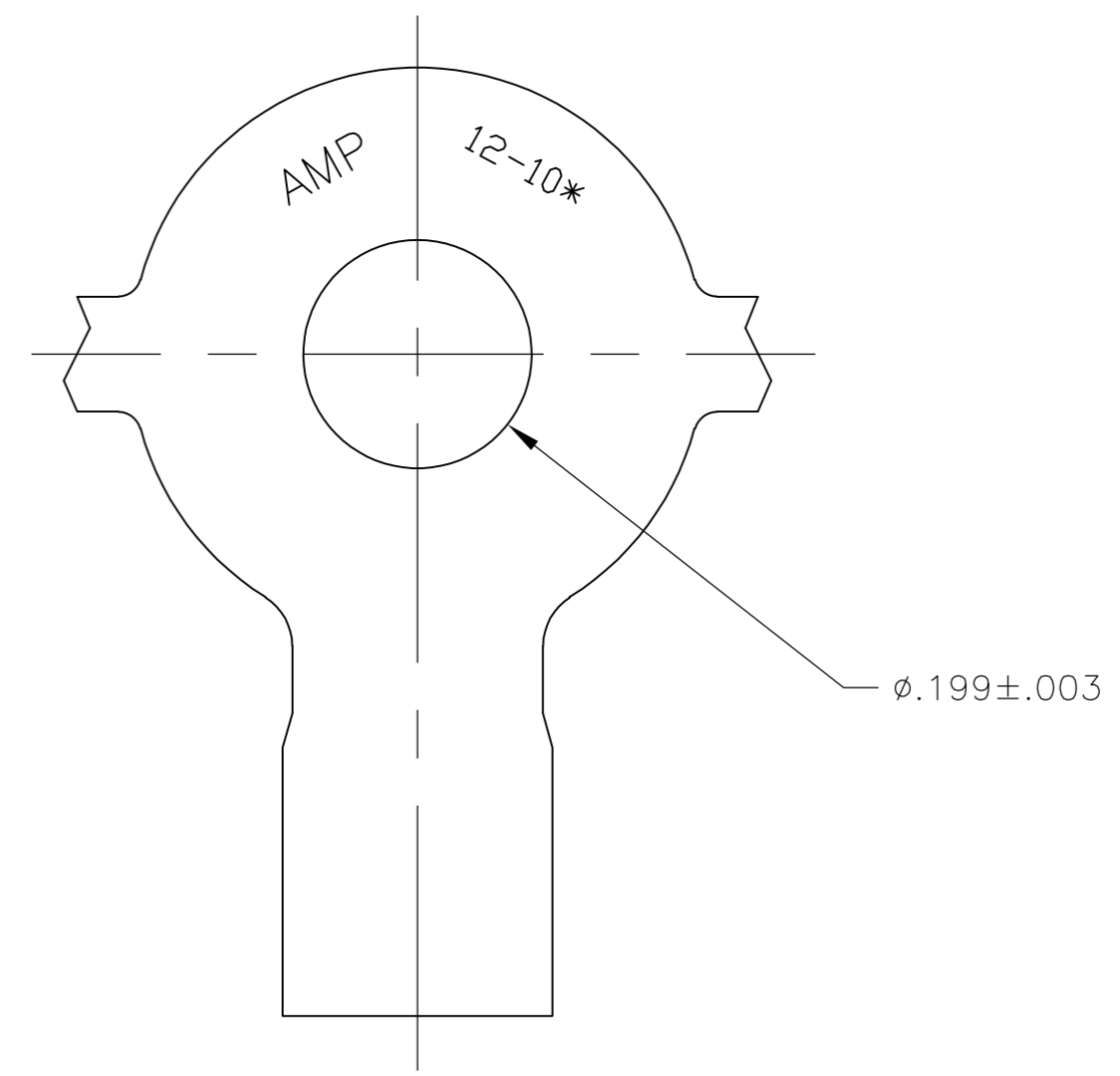
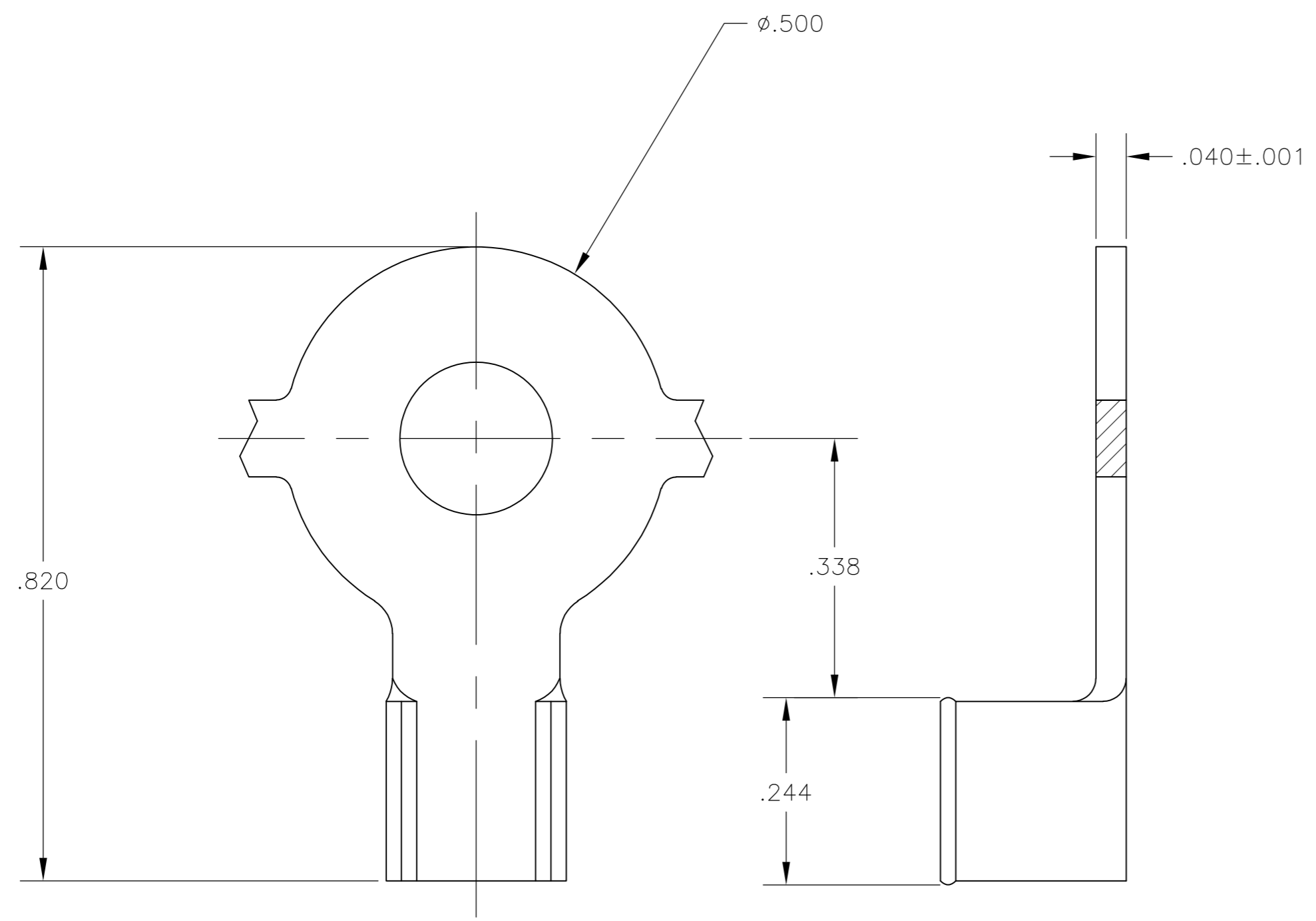


THIS DRAWING IS UNPUBLISHED. RELEASED FOR PUBLICATION
 © COPYRIGHT BY TYCO ELECTRONICS CORPORATION. ALL RIGHTS RESERVED.

LOC	DIST	REVISIONS			
P	LTR	DESCRIPTION	DATE	DWN	APVD
AF	15				
	K	REVISED PER ECR-10-006099	07JUL10	HMR	PD
	K1	REVISED PER ECR-13-000187	09JAN13	B.P	YH.M

1. CONTINUOUS STRIP ON REELS.
2. WIRE RANGE: #12-#10 AWG.
3. 42555-3 IS THE REVERSE REEL OF 42555-1.



	H00 COPPER	42555-3	
OBSOLETE	082 BRASS	42555-2	
	H00 COPPER	42555-1	
	MATERIAL	PART NUMBER	

THIS DRAWING IS A CONTROLLED DOCUMENT.		DWN	B.P	08JAN2013	Tyco Electronics Corporation Harrisburg, Pa 17105-3608	
DIMENSIONS: INCHES		CHK	F.M	08JAN2013		
TOLERANCES UNLESS OTHERWISE SPECIFIED:		APVD	YH.MAO	08JAN2013		
0 PLC ± - 1 PLC ± - 2 PLC ± - 3 PLC ± .010 4 PLC ± - ANGLES ± -		PRODUCT SPEC	NAME			
MATERIAL SEE TABLE		FINISH	TIN	WEIGHT	-	
		SCALE	6:1	SHEET	1 OF 1	
		CUSTOMER DRAWING	SIZE	A2	CAGE CODE	00779
			DRAWING NO	C=42555		
			RESTRICTED TO	-		
			REV	K1		

42555

A