


EFG 45-LG/BS GY

Order No.: 2757474

<http://eshop.phoenixcontact.de/phoenix/treeViewClick.do?UID=2757474>Electronic module, for insertion of two printed circuit boards, without
screw connection terminal blocks

Commercial data	
GTIN (EAN)	 4 017918 063566
sales group	F092
Pack	5 pcs.
Customs tariff	85472000
Catalog page information	Page 550 (CC-2009)

Product notes

WEEE/RoHS-compliant since:
05/20/2005

<http://www.download.phoenixcontact.com>
Please note that the data given here has been taken from the online catalog. For comprehensive information and data, please refer to the user documentation. The General Terms and Conditions of Use apply to Internet downloads.

Technical data	
General	
Housing type	Complete housing
Housing material	polycarbonate
Color	gray

Dimensions / positions

Length	118 mm
Width	45 mm

Technical data

Ambient temperature (operation)	-40 °C ... 125 °C
Inflammability class acc. to UL 94	V0
Power dissipation at 20°C in the horizontal mounting position	9.5 W 11.5 W

Accessories

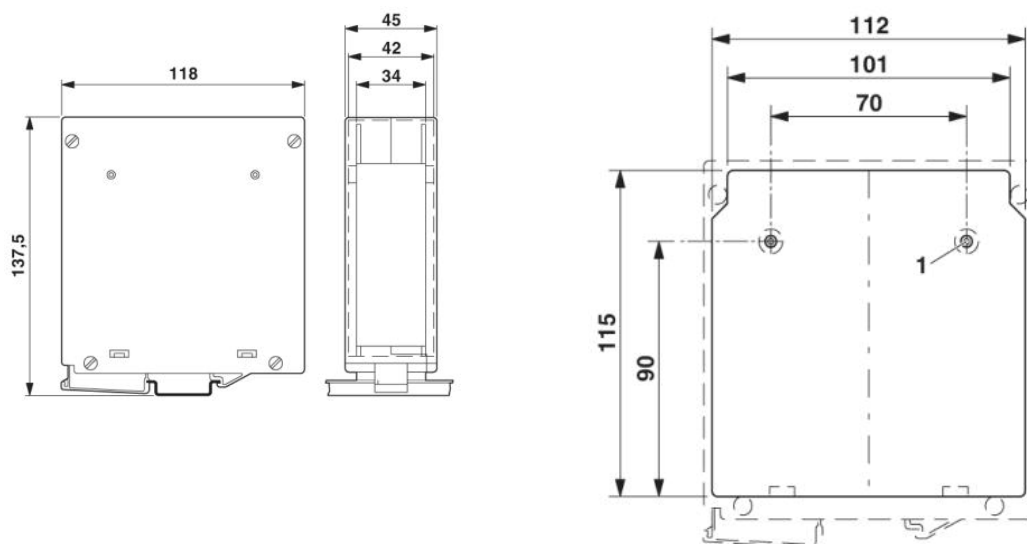
Item	Designation	Description
------	-------------	-------------

General

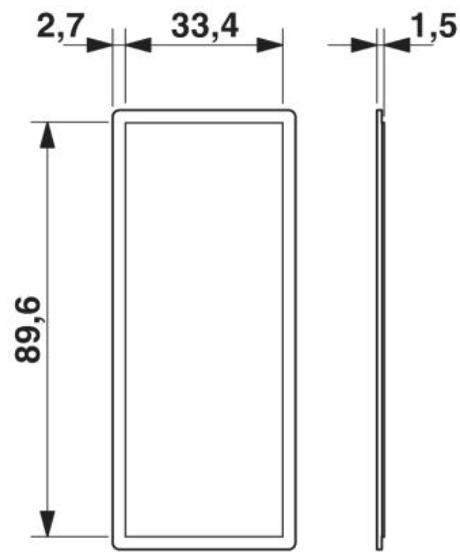
1700008	FRONT 2,5-H/SA 5	PC terminal block, Nominal current: 24 A, Nom. voltage: 250 V, Pitch: 5 mm, Number of positions: 1, Type of connection: Screw connection, Mounting: Soldering, Conductor/PCB connection direction: 0 °, Color: green, The article can be aligned to create different nos. of positions!
---------	------------------	---

Diagrams/Drawings

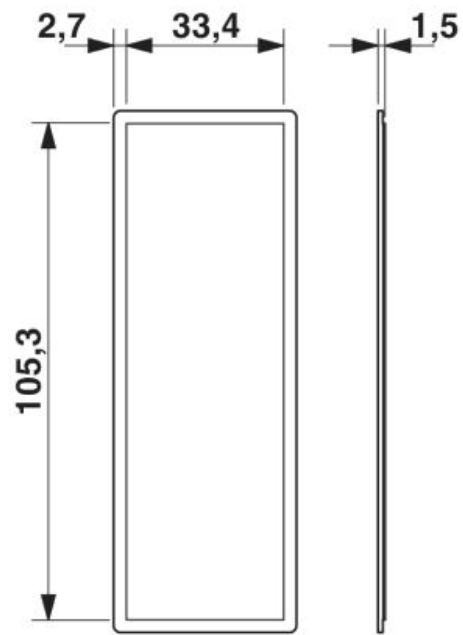
Dimensioned drawing



1 = Diameter 3.2 mm for M3



Side element (front and back)



Cover element

Address

PHOENIX CONTACT Deutschland GmbH
Flachmarktstr. 8
32825 Blomberg, Germany
Phone +49 5235 3 12000
Fax +49 5235 3 41200
<http://www.phoenixcontact.de>



© 2010 Phoenix Contact
Technical modifications reserved;