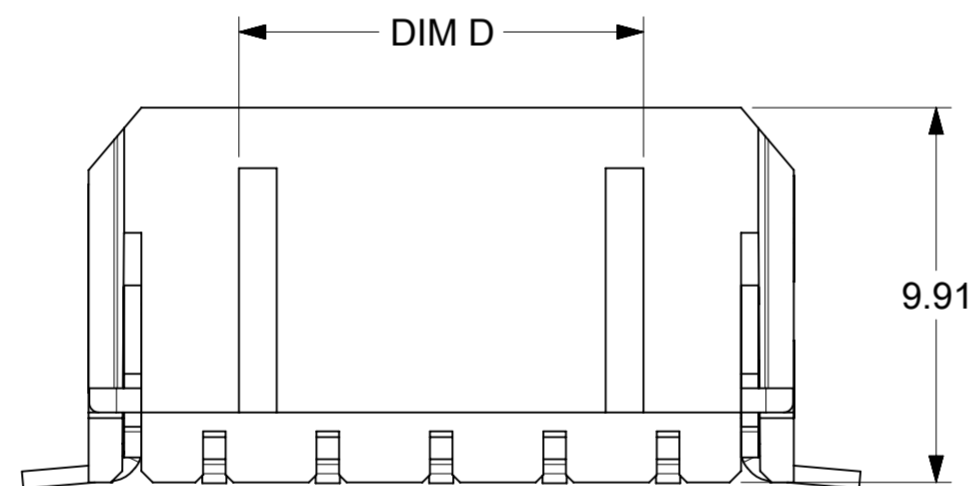
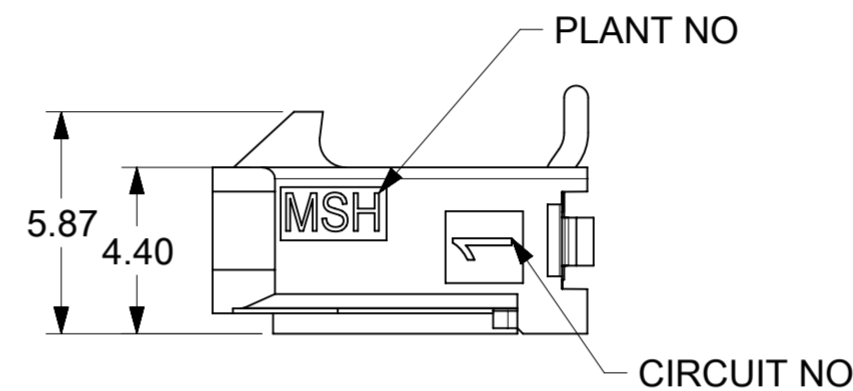
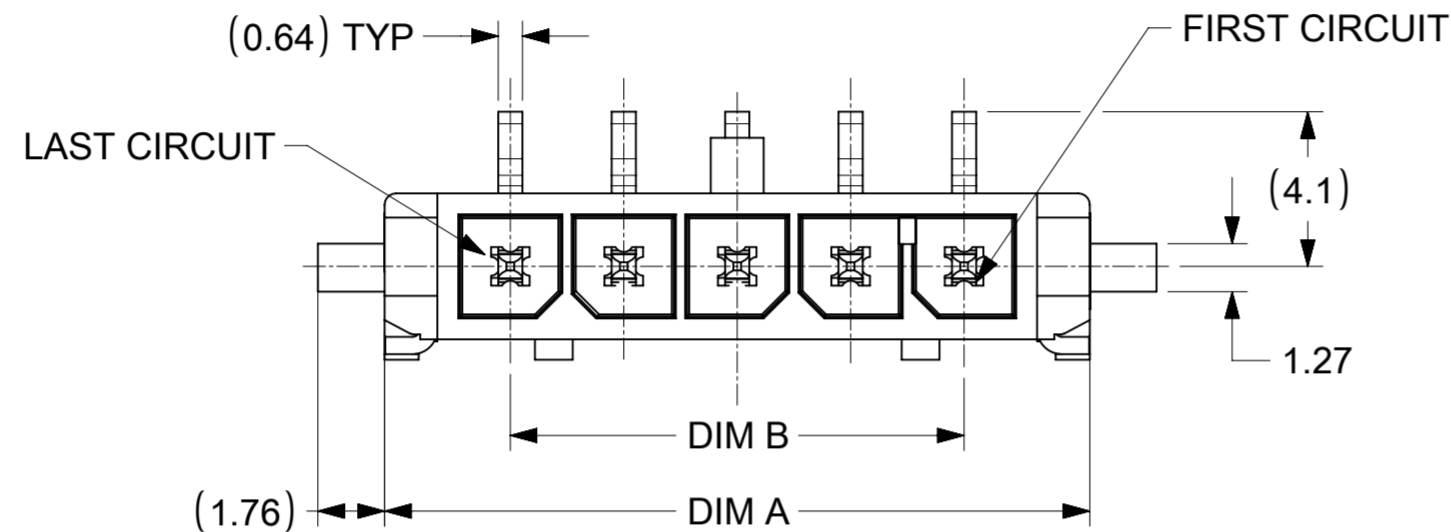
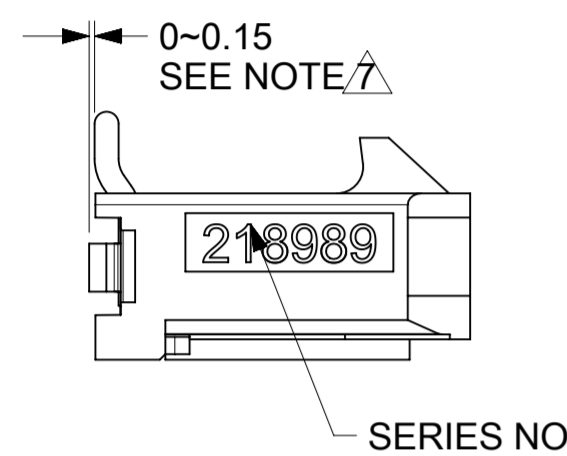


FINISH TYPE	"0" TIN	"1" 15MICROINCH GOLD	"2" 30MICROINCH GOLD				
CKT	HDR ASSY PN	HDR ASSY PN	HDR ASSY PN	A	B	C	D
2	2189890220	2189890221	2189890222	9.65	3.00	14.20	2.95
3	2189890320	2189890321	2189890322	12.65	6.00	17.20	2.95
4	2189890420	2189890421	2189890422	15.65	9.00	20.20	7.70
5	2189890520	2189890521	2189890522	18.65	12.00	23.20	10.70



NOTES:

- HOSING MATERIAL: GLASS FILLED LIQUID CRYSTAL POLYMER, UL 94V-0, COLOR: BLACK  
TERMINAL MATERIAL: HIGH COPPER ALLOY
- FINISH:  
OPTION "0": REFLOW MATTE TIN OVER NICKEL  
OPTION "1": SELECT 15MICROINCH GOLD AND SELECT MATTE TIN OVER NICKEL.  
OPTION "2": SELECT 30MICROINCH GOLD AND SELECT MATTE TIN OVER NICKEL.
- PRODUCT SPECIFICATION : 2064600000-PS
- PRODUCT TEST SUMMARY: 2064600000-TS
- T&R PACK : 2189890001-PK
- MATE WITH RECEPTACLE 215759
- THE COPLANARITY DIMENSION IS ESTABLISHED BY PLACING THE ASSEMBLY ON A FLAT SURFACE. THE DISTANCE FROM THAT SURFACE TO THE BOTTOM OF ANY TERMINAL OR NAIL MUST NOT EXCEED 0.15
- THIS PART CONFORMS TO CLASS 'B' REQUIREMENTS OF COSMETIC SPECIFICATION PS-45499-002.

LEGEND

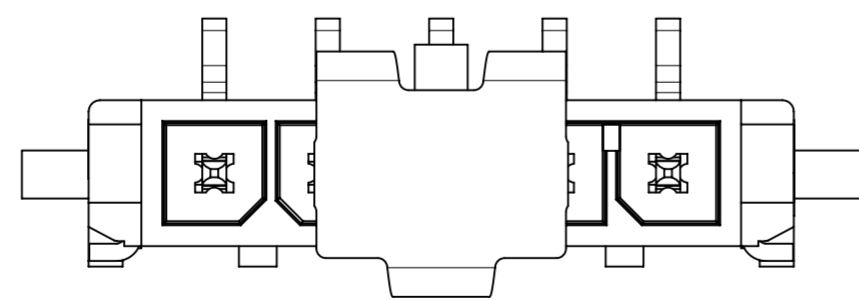
218989 - \* \* \* \*

SERIES NO. \_\_\_\_\_

CKT NO. \_\_\_\_\_

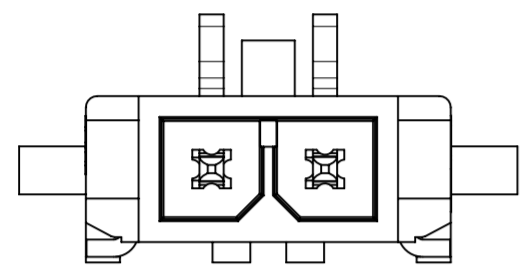
OPTION  
0: RIGHT ANGLE WITH NAIL  
1: RIGHT ANGLE WITH CLIP  
2: VERTICAL WITH NAIL  
3: VERTICAL WITH CLIP

PLATING OPTION  
0: TIN  
1: 15MICROINCH AU  
2: 30MICROINCH AU

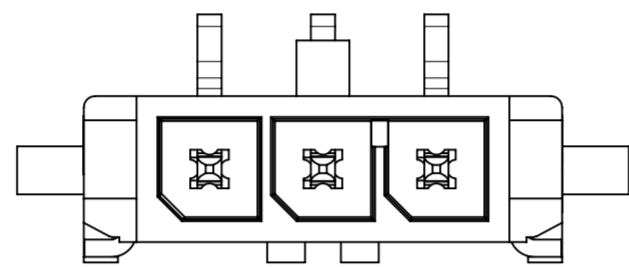


SHOWN WITH DISPOSABLE CAP (43859-000\*)  
SEE NOTE 5

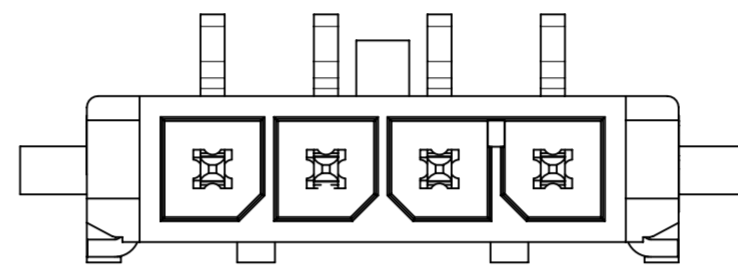
THIS DRAWING CONTAINS INFORMATION THAT IS PROPRIETARY TO MOLEX ELECTRONIC TECHNOLOGIES, LLC AND SHOULD NOT BE USED WITHOUT WRITTEN PERMISSION									
DIMENSION UNITS	SCALE	CURRENT REV DESC:			<b>molex</b>				
mm	NTS								
GENERAL TOLERANCES (UNLESS SPECIFIED)					MICRO-FIT + SINGLE ROW VERTICAL SMT HEADER WITH NAIL				
ANGULAR TOL	± 3.0°								
4 PLACES	±	EC NO: 724761	2022/09/08	PRODUCT CUSTOMER DRAWING					
3 PLACES	±	DRWN: ZIXUAQ	2022/10/17						
2 PLACES	± 0.25	CHK'D: XQZHANG	2022/10/17	DOCUMENT NUMBER: 2189890020-SD					
1 PLACE	± 0.36	APPR: XQZHANG	2022/10/17						
0 PLACES	±	INITIAL REVISION:		DOC TYPE: PSD		DOC PART: 000		REVISION: A	
DRAFT WHERE APPLICABLE MUST REMAIN WITHIN DIMENSIONS		THIRD ANGLE PROJECTION		DRAWING: A2-SIZE	SERIES: 218989	MATERIAL NUMBER: SEE TABLE		CUSTOMER: GENERAL MARKET	
				SHEET NUMBER: 1 OF 2					



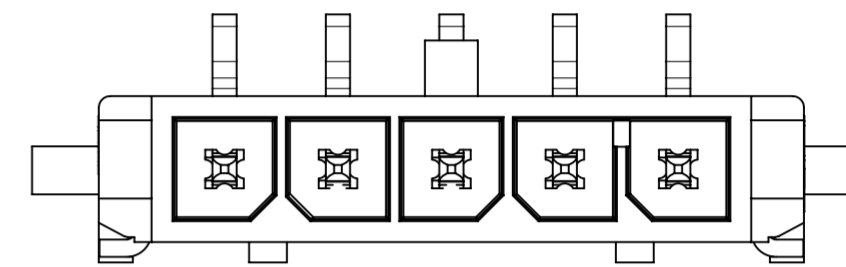
2CKT



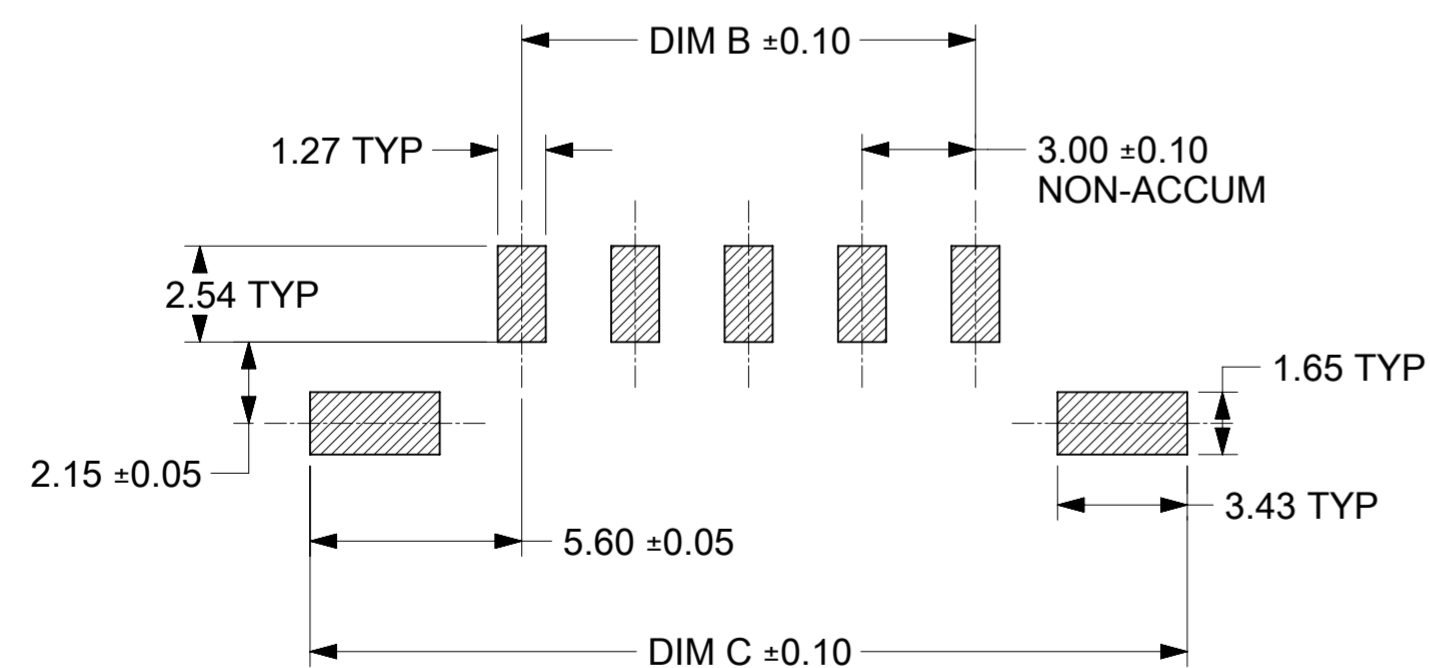
3CKT



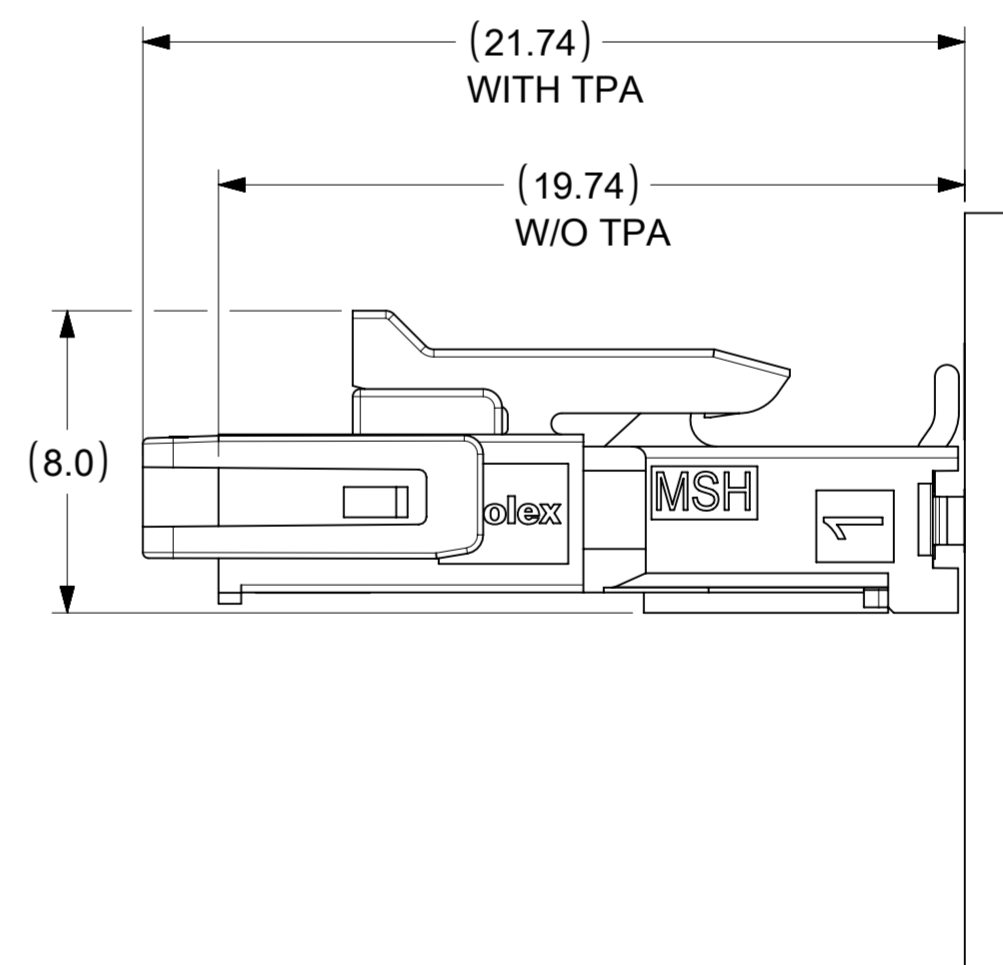
4CKT



5CKT



PCB LAYOUT: COMPONENT SIDE  
 RECOMMEND PCB THICKNESS: 1.60 $\pm$ 0.05MM



THIS DRAWING CONTAINS INFORMATION THAT IS PROPRIETARY TO MOLEX ELECTRONIC TECHNOLOGIES, LLC AND SHOULD NOT BE USED WITHOUT WRITTEN PERMISSION									
DIMENSION UNITS	SCALE	CURRENT REV DESC:							
mm	NTS								
GENERAL TOLERANCES (UNLESS SPECIFIED)					<b>MICRO-FIT + SINGLE ROW VERTICAL SMT HEADER WITH NAIL</b>				
ANGULAR TOL	$\pm$	3.0°	EC NO: 724761						
4 PLACES	$\pm$		DRWN: ZIXUAQ	2022/09/08					
3 PLACES	$\pm$		CHK'D: XQZHANG	2022/10/17					
2 PLACES	$\pm$	0.25	APPR: XQZHANG	2022/10/17					
1 PLACE	$\pm$	0.36	INITIAL REVISION:						
0 PLACES	$\pm$		DRWN: ZIXUAQ	2022/09/08					
			APPR: XQZHANG	2022/10/17					
DRAFT WHERE APPLICABLE MUST REMAIN WITHIN DIMENSIONS		THIRD ANGLE PROJECTION	DRAWING	SERIES	MATERIAL NUMBER	CUSTOMER	SHEET NUMBER		
			A2-SIZE	218989	SEE TABLE	GENERAL MARKET	2 OF 2		