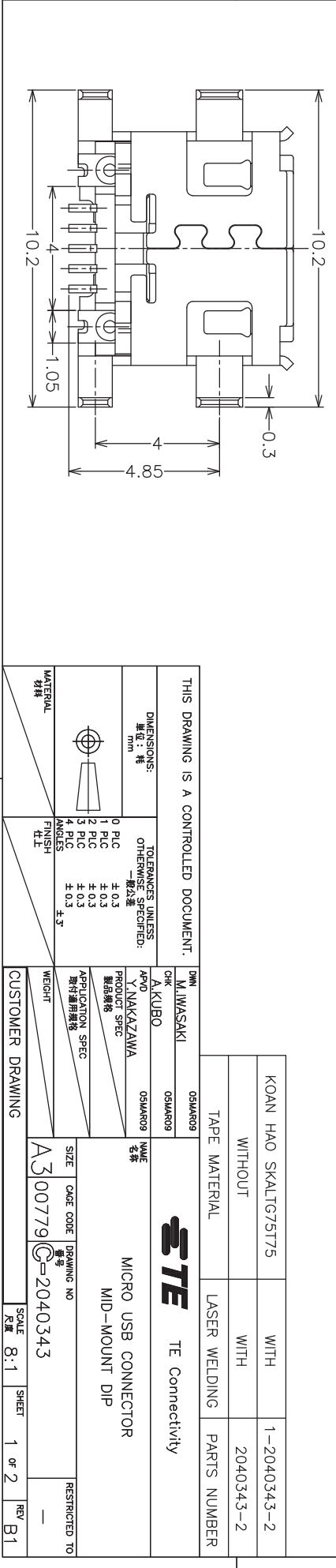
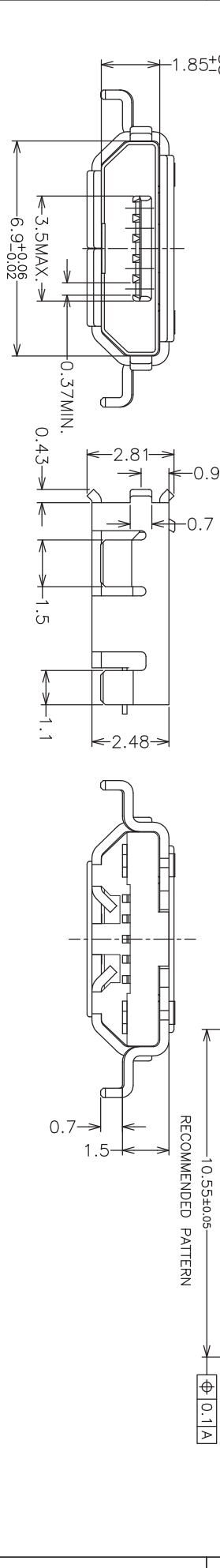
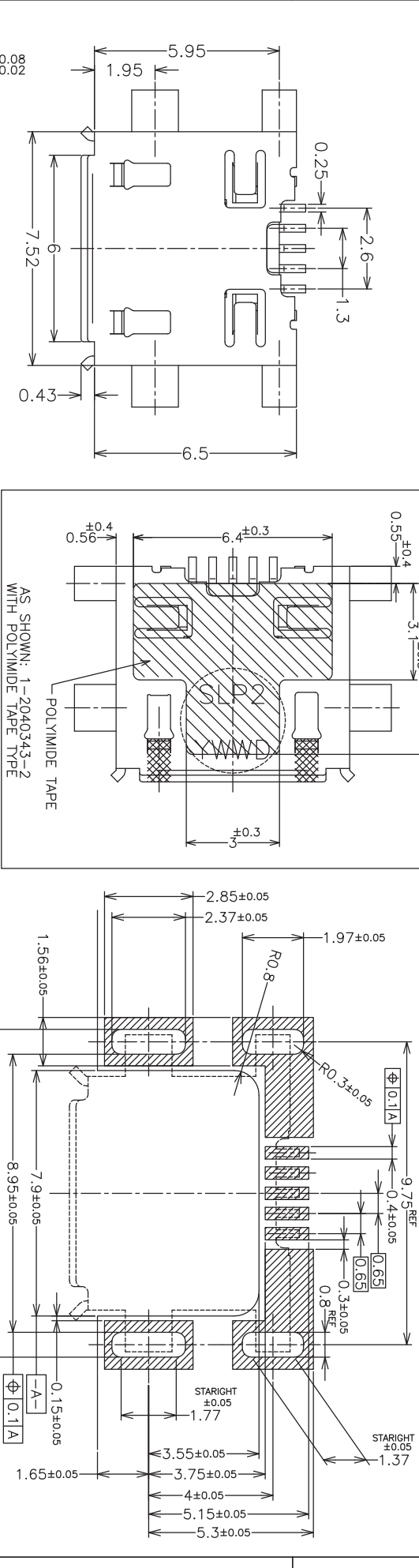


COPYRIGHT - By -		RELEASED FOR PUBLICATION	
ALL RIGHTS RESERVED.		ALL RIGHTS RESERVED.	
100	DIST	REVOLUTIONS	
P	LTR	DESCRIPTION	DATE
A	RELEASED	OSMAR09	M.I.Y.N
B1	REVISED ECR-12-000186	SIAPR2012	T.Z S.Y



COANO HAO SKALTG751775	WITH	1-2040343-2
WITHOUT	WITH	2040343-2
TAPE MATERIAL		PARTS NUMBER

THIS DRAWING IS A CONTROLLED DOCUMENT.	
DIMENSIONS: 単位:mm	TOLERANCES UNLESS OTHERWISE SPECIFIED: 一般公差
0 P.L.C	± 0.3
1 P.L.C	± 0.3
2 P.L.C	± 0.3
3 P.L.C	± 0.3
4 P.L.C	± 0.3
FINISH	± 0.3
MATERIAL 材料	

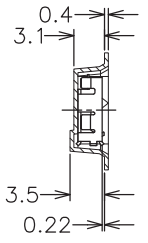
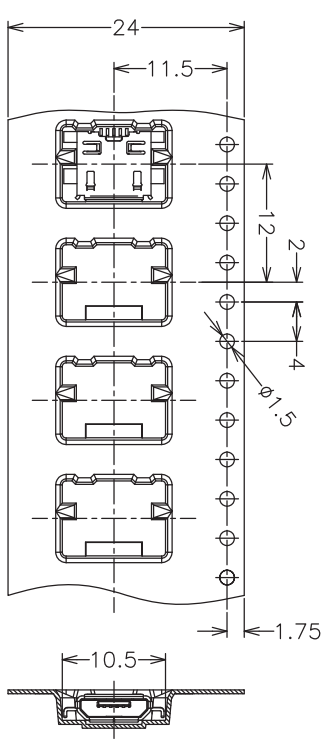
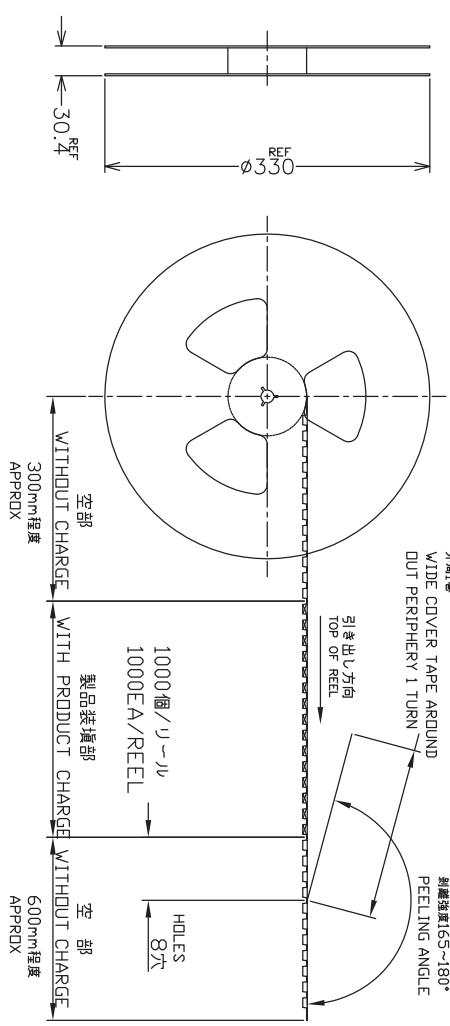
DMN	OSMAR09	NAME	MICRO USB CONNECTOR
CHK	M.IWASAKI	名称	MID-MOUNT DIP
APVD	A.KUBO	TE Connectivity	
PRODUCT SPEC	Y.NAKAZAWA		
APPLICATION SPEC			
WEIGHT			
CUSTOMER DRAWING			

SIZE	A3	SCALE	8:1	SHEET	1 of 2	REV	B1
QAGE CODE	A300779	DRAWING NO	C=2040343	RESTRICTED TO			

THIS DRAWING IS UNPUBLISHED.  
 COPYRIGHT - By -  
 RELEASED FOR PUBLICATION  
 ALL RIGHTS RESERVED.

LOG -  
 DIST -

REVOLUTIONS		DATE	DMN	APPD
REV	DESCRIPTION			
P	LTR			
-	SEE SHEET 1			



TOP OF REEL →

カバ-チ-ア-リ-グ-部  
 外周リ巻  
 WIDE COVER TAPE AROUND  
 OUT PERIPHERY 1 TURN  
 引き出し方向  
 TOP OF REEL

剥離強度 0.2-0.7N MAX(300±10mm/m/min)  
 PEELING STRENGTH  
 剥離強度165~180\*  
 PEELING ANGLE

HOLE'S  
 8穴

空 部  
 WITHOUT CHARGE  
 300mm程度  
 APPRDX  
 製品装填部  
 WITH PRODUCT CHARGE  
 空 部  
 WITHOUT CHARGE  
 600mm程度  
 APPRDX

THIS DRAWING IS A CONTROLLED DOCUMENT.

DIMENSIONS: 単位: 寸 mm	TOLERANCES UNLESS OTHERWISE SPECIFIED: 一般公差
0 P.L.C	±
1 P.L.C	±
2 P.L.C	±
3 P.L.C	±
4 P.L.C	±
ANGLES	±
FINISH	±

MATERIAL 材料	FINISH 仕上

DMN	-
CHK	-
APVD	-
PRODUCT SPEC	-
製品規格	-
APPLICATION SPEC	-
現行適用規格	-
WEIGHT	-

NAME 名称		MICRO USB CONNECTOR MID-MOUNT DIP	
SIZE	A3	QAGE CODE	00779
DRAWING NO	C=2040343		番号
RESTRICTED TO	CUSTOMER DRAWING		

**STE** TE Connectivity