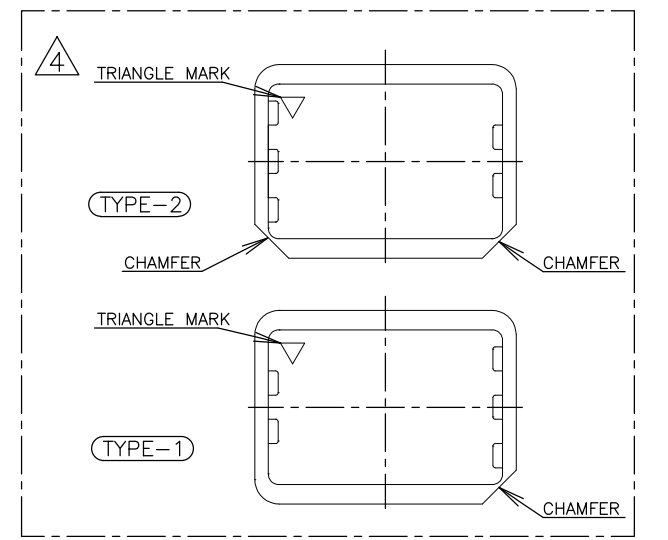
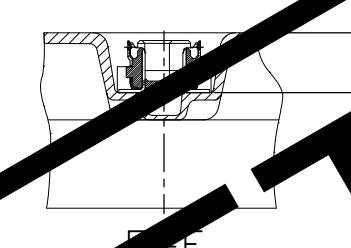
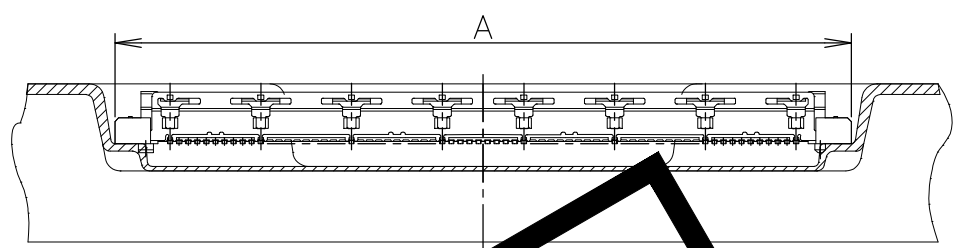
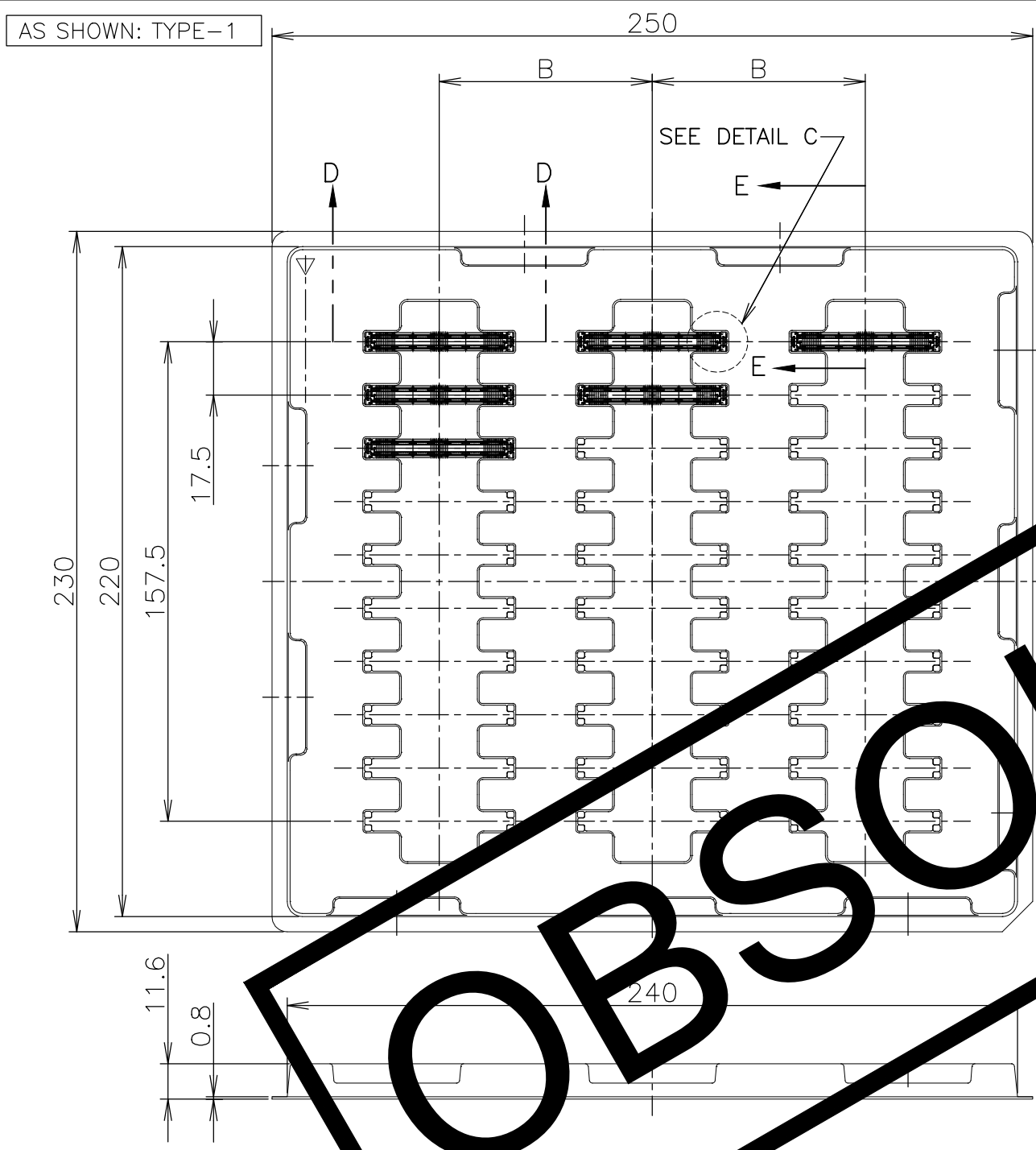


THIS DRAWING IS UNPUBLISHED. RELEASED FOR PUBLICATION MAY, 1995.  
 © COPYRIGHT 1995 BY TYCO ELECTRONICS CORPORATION. ALL RIGHTS RESERVED.

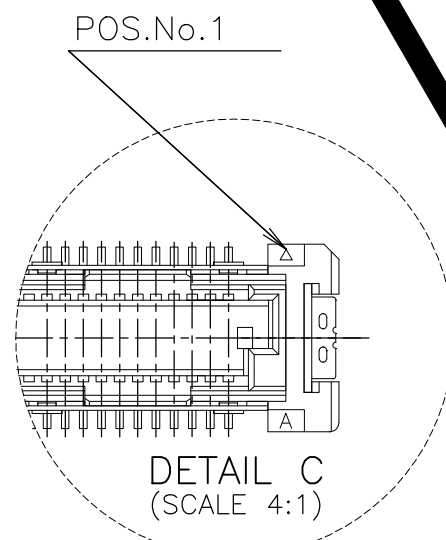
LOC	DIST	REVISIONS					
J		P	LTR	DESCRIPTION	DATE	DWN	APVD
		C	PER REVISED	ECO-18-004710	22MAR18	R.L	H.L



OBSOLETE

SEALANT	TOOLING STATUS	ROW	QTY	B	A	POS.	TRAY P/N	PART NO.
AVAILABLE		30	70	54.7	160	912063-9	6-5316076-1	
AVAILABLE				48.7	140	912063-8	6-	0
NOT AVAILABLE				42.7	120	4-912065-9	5-	9
				36.7	100	8-912066-2	5-	8
		3	30	33.7	90	9-912066-6	5-	7
		5	50	30.7	80	912067-3	5-	6
				27.7	70	912063-1	5-	5
NOT AVAILABLE				24.7	60	9-912066-5	5-	4
AVAILABLE				21.7	50	9-912062-9	5-	3
NOT AVAILABLE				18.7	40	9-912066-4	5-	2
NOT AVAILABLE		5	50	15.7	30	9-912066-3	5-5316076-1	
AVAILABLE		3	30	54.7	160	912063-9	1-5316076-1	
AVAILABLE				48.7	140	912063-8	1-	0
NOT AVAILABLE				42.7	120	4-912065-9		9
				36.7	100	8-912066-2		8
		3	30	33.7	90	9-912066-6		7
		5	50	30.7	80	912067-3		6
				27.7	70	912063-1		5
NOT AVAILABLE				24.7	60	9-912066-5		4
AVAILABLE				21.7	50	9-912062-9		3
NOT AVAILABLE				18.7	40	9-912066-4		2
NOT AVAILABLE		5	50	15.7	30	9-912066-3		5316076-1

OBS



4 TRIANGLE MARK TYPE-1 AND TYPE-2 MUST BE PAILED UP BY TURNS. (REFER TO PACKING SPECIFICATIONS)

GENERAL TOLERANCE  
 一般公差  
 10 : ±0.2  
 30 ≥ 10 : ±0.25  
 100 ≥ 30 : ±0.3  
 ANGLES : ±3°

THIS DRAWING IS A CONTROLLED DOCUMENT.

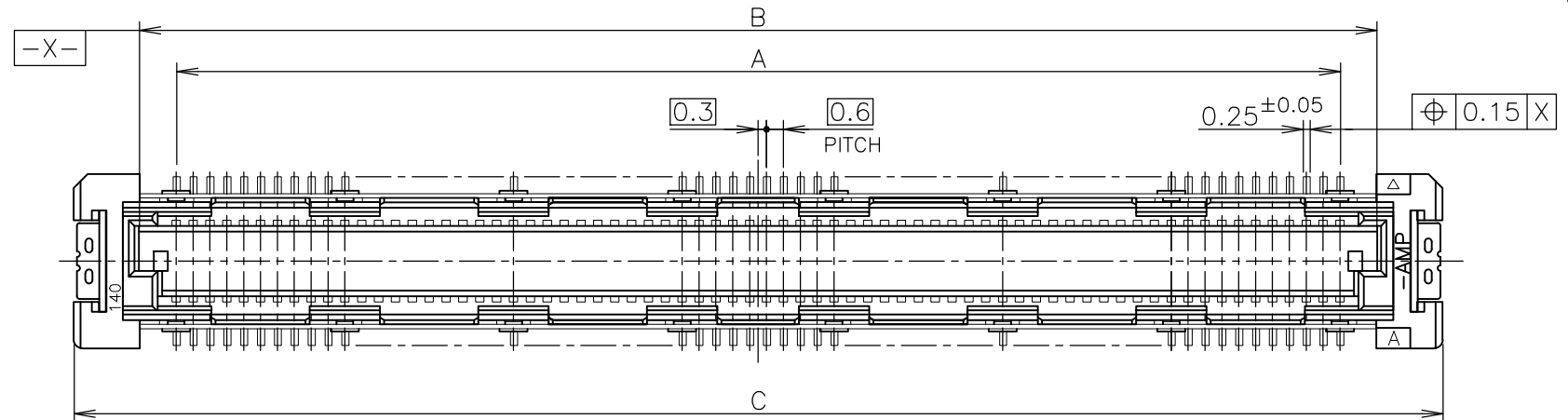
DIMENSIONS: MM	TOLERANCES UNLESS OTHERWISE SPECIFIED:
	0 PLC ± -
	1 PLC ± -
	2 PLC ± -
	3 PLC ± -
	4 PLC ± -
	ANGLES ± -
MATERIAL	FINISH

DWN HAWKING HE 21DEC04	Tyco Electronics Corporation Kawasaki, Japan
CHK STEVEN YAO 21DEC04	
APVD I.ENOMOTO 21DEC04	
NAME	
PRODUCT SPEC	TRAY ASSY
APPLICATION SPEC	FH 0.6BTB CONNECTOR PLUG 4H W/G-CONT
108-60047	SIZE
114-5255	CAGE CODE
WEIGHT	DRAWING NO
CUSTOMER DRAWING	A3 00779
	G-5316076
	RESTRICTED TO
SCALE 1:2	SHEET 1 OF 3
REV C	

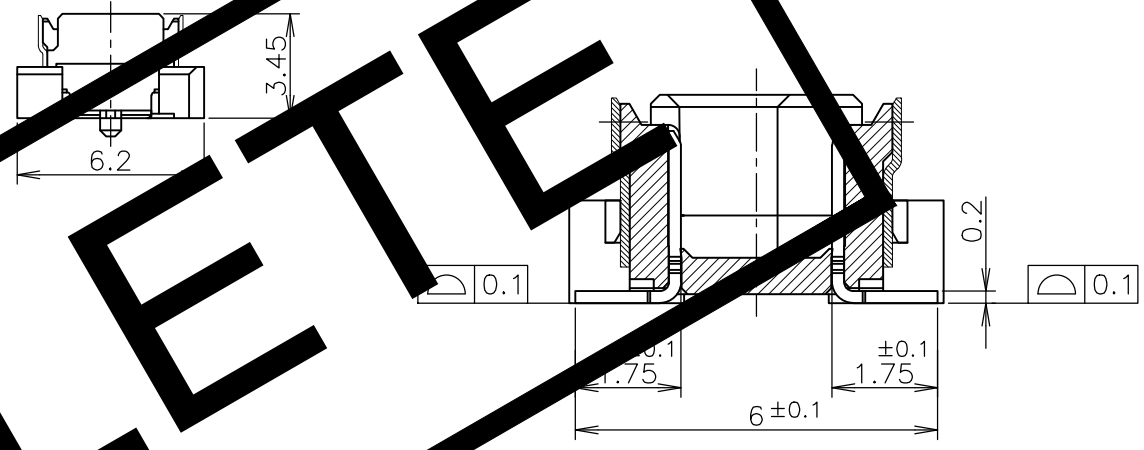
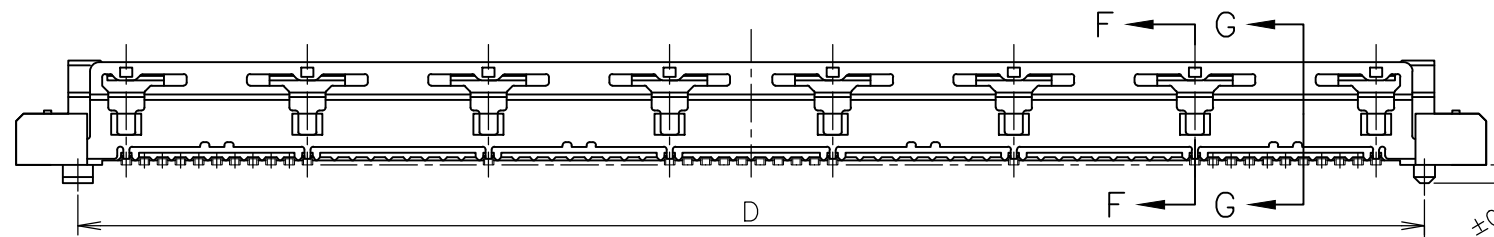
THIS DRAWING IS UNPUBLISHED. RELEASED FOR PUBLICATION MAY, 1995.

© COPYRIGHT 1995 BY TYCO ELECTRONICS CORPORATION. ALL RIGHTS RESERVED.

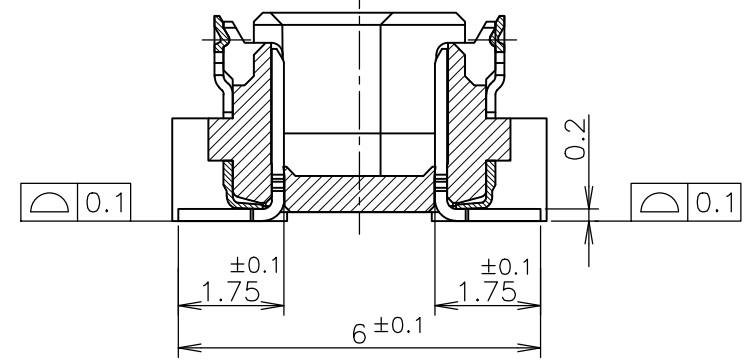
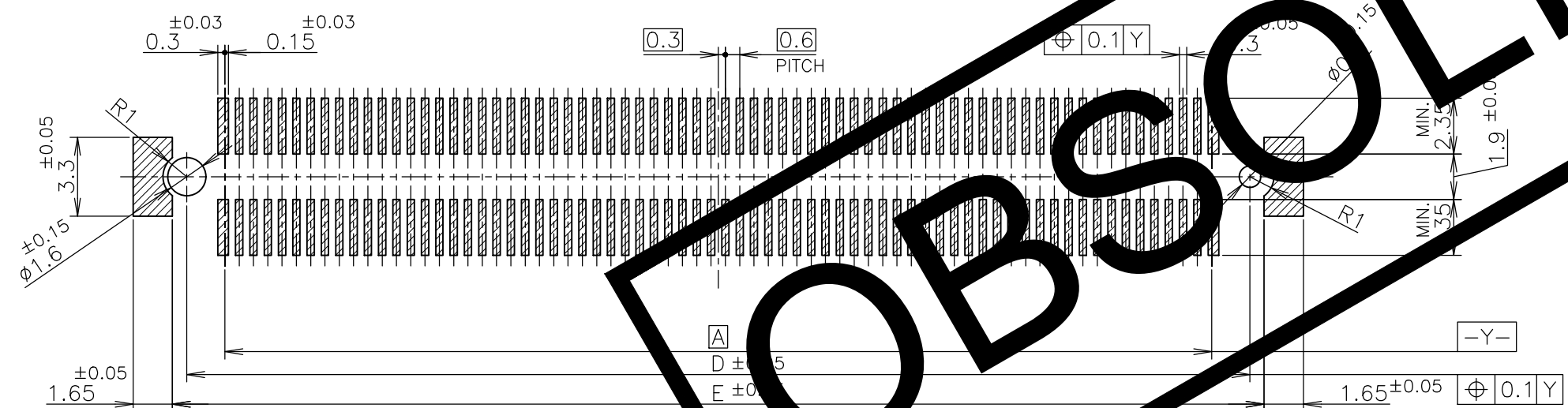
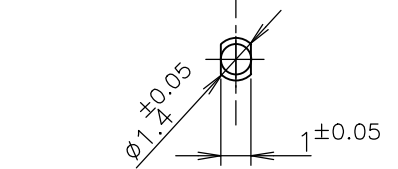
LOC	DIST	REVISIONS					
J		P	LTR	DESCRIPTION	DATE	DWN	APVD
		-		SEE SHEET 1	-	-	-



- ⚠ MATERIAL ; HOUSING : HIGH TEMP THERMO PLASTIC UL94V-0
- CONTACT : COPPER ALLOY
- ⚠ FINISH ; UNDER PL Ni 0.0013mm MIN ALL OVER.
- CONTACT AREA 0.0002 MIN Au PL.
- SOLDERING AREA 0.001 MIN TIN PL.
- ⚠ THIS POSITION IS GROUND CIRCUIT.



G-G (SIGNAL POSITION) (SCALE 8:1)



F-F (GROUND POSITION) (SCALE 8:1)

REFERENCE P BOARD L

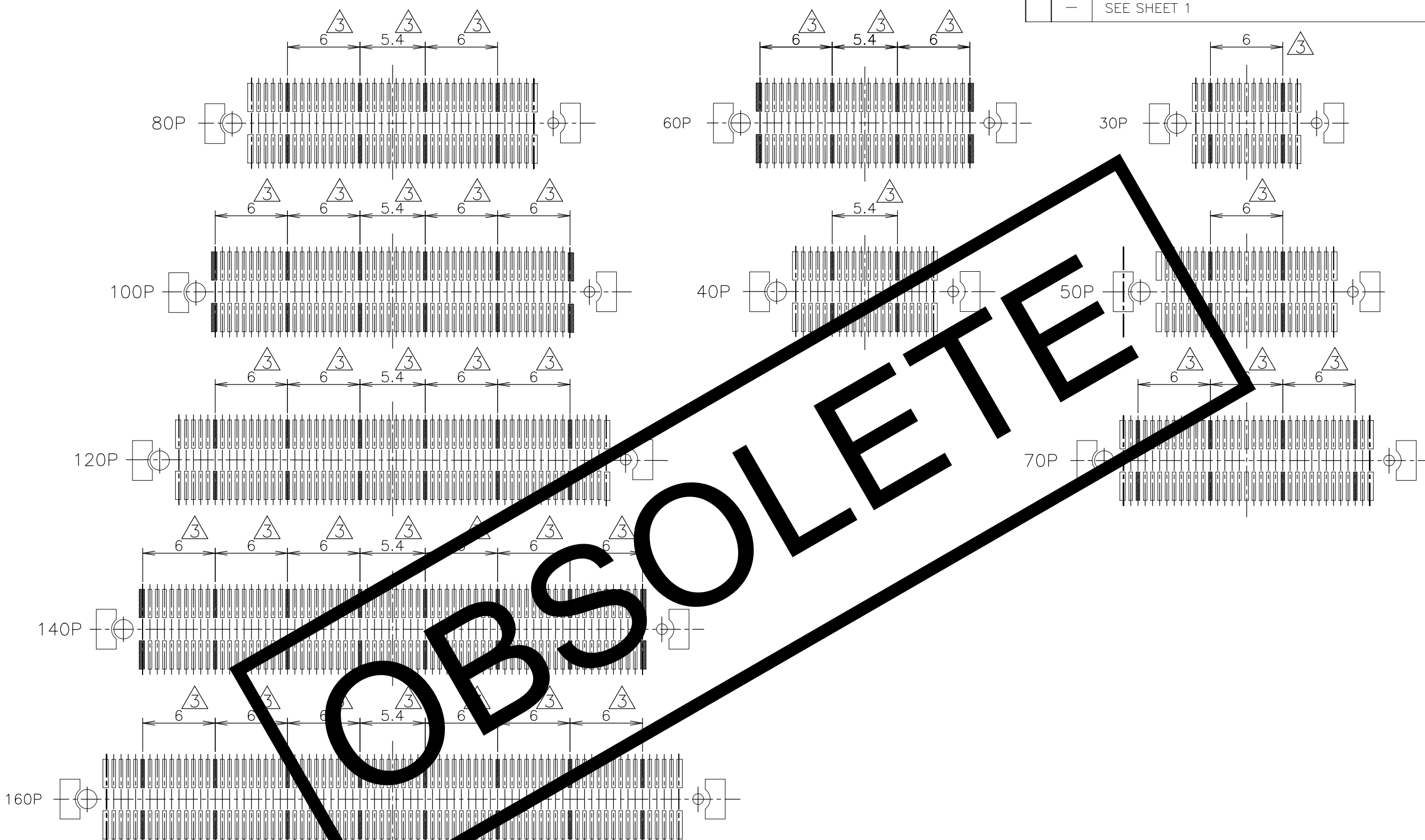
OBSOLETE

AVAILABLE	51.8	50.6	54.7	50	47.4	160
AVAILABLE	45.8	44.6	48.7	44	41.4	140
NOT AVAILABLE	39.8	38.6	42.7	38	35.4	120
AVAILABLE	33.8	32.6	36.7	32	29.4	100
NOT AVAILABLE	30.8	29.6	33.7	29	26.4	90
NOT AVAILABLE	27.8	26.6	30.7	26	23.4	80
AVAILABLE	24.8	23.6	27.7	23	20.4	70
AVAILABLE	21.8	20.6	24.7	20	17.4	60
AVAILABLE	18.8	17.6	21.7	17	14.4	50
NOT AVAILABLE	15.8	14.6	18.7	14	11.4	40
NOT AVAILABLE	12.8	11.6	15.7	11	8.4	30
TOOLING STATUS	E	D	C	B	A	POS

THIS DRAWING IS A CONTROLLED DOCUMENT.		DWN		Tyco Electronics		Tyco Electronics Corporation	
DIMENSIONS: MM		TOLERANCES UNLESS OTHERWISE SPECIFIED:		CHK		Kawasaki, Japan	
		0 PLC ± 0.3 1 PLC ± 0.3 2 PLC ± 0.3 3 PLC ± 0.3 4 PLC ± 0.3 ANGLES ± 3°		APVD		NAME	
MATERIAL		FINISH		PRODUCT SPEC		TRAY ASSY	
⚠		⚠		APPLICATION SPEC		FH 0.6BTB CONNECTOR	
				WEIGHT		PLUG 4H W/G-CONT	
				CUSTOMER DRAWING		RESTRICTED TO	
				SIZE A3		CAGE CODE 00779	
				DRAWING NO. G-5316076		SCALE 4:1	
				SHEET 2 OF 3		REV C	

THIS DRAWING IS UNPUBLISHED. RELEASED FOR PUBLICATION MAY, 1995.  
 © COPYRIGHT 1995 BY TYCO ELECTRONICS CORPORATION. ALL RIGHTS RESERVED.

LOC	DIST	REVISIONS					
J		P	LTR	DESCRIPTION	DATE	DWN	APVD
		-		SEE SHEET 1	-	-	-



THIS DRAWING IS A CONTROLLED DOCUMENT.		DWN	Tyco Electronics Tyco Electronics Corporation Kawasaki, Japan	
DIMENSIONS: MM		CHK	NAME	
TOLERANCES UNLESS OTHERWISE SPECIFIED:		APVD	TRAY ASSY	
0 PLC ± 0.3		PRODUCT SPEC	FH 0.6BTB CONNECTOR	
1 PLC ± 0.3		APPLICATION SPEC	PLUG 4H W/G-CONT	
2 PLC ± 0.3		WEIGHT	SIZE	CAGE CODE
3 PLC ± 0.3		CUSTOMER DRAWING	A3	00779
4 PLC ± 0.3			DRAWING NO	5316076
ANGLES ± 3'		RESTRICTED TO		
MATERIAL		FINISH	SCALE	SHEET
			3:1	3 OF 3
			REV	C