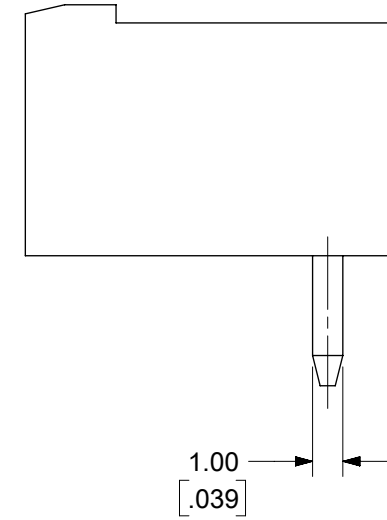
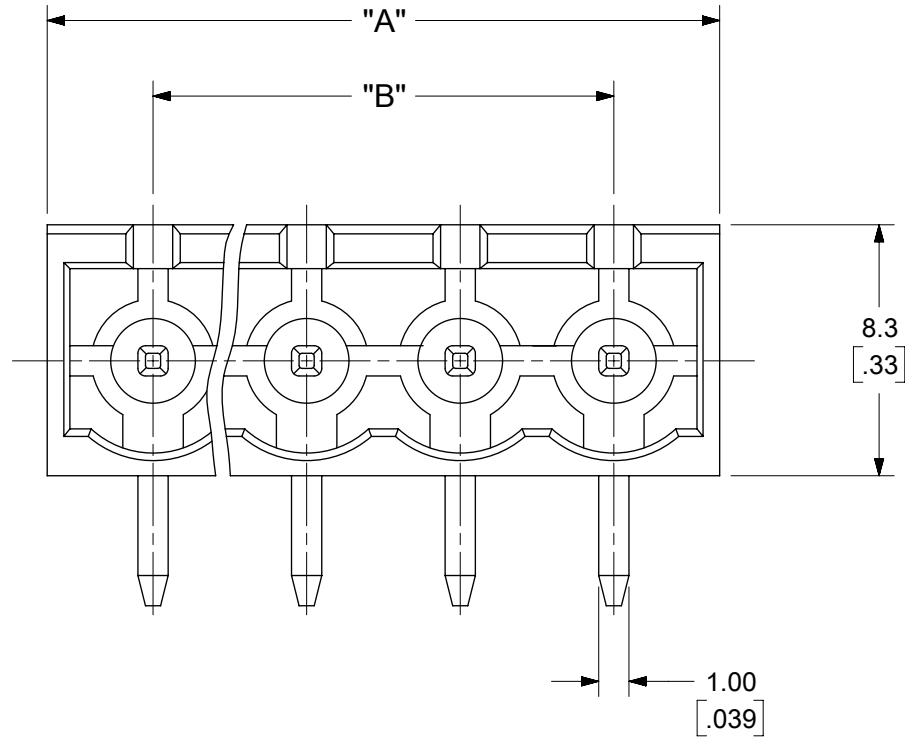
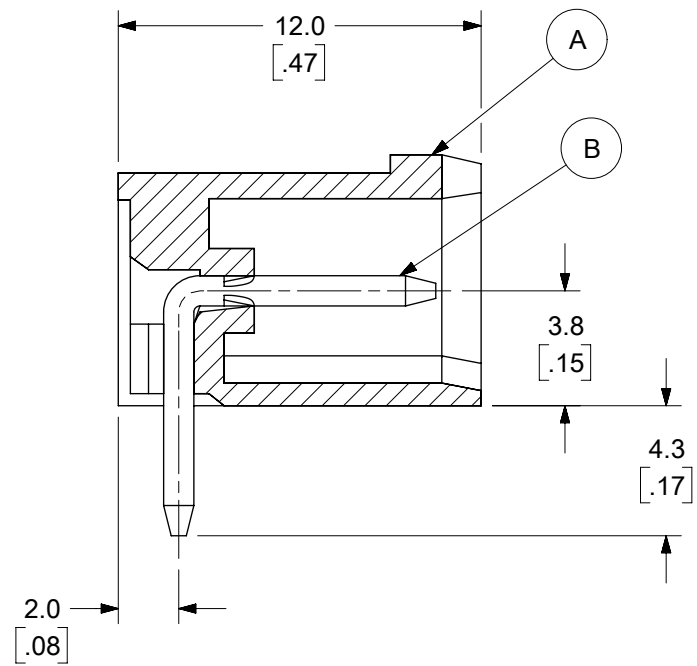
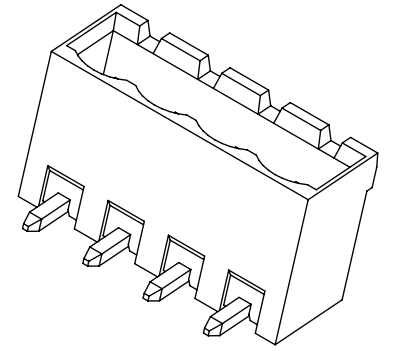
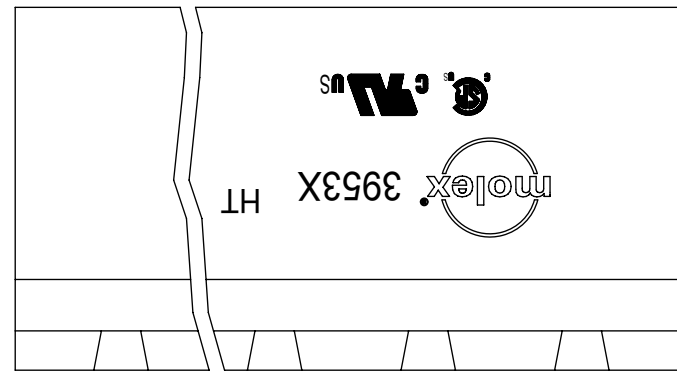


PCB LAYOUT



SPECIFICATIONS:

1. MATERIAL:
- (A). BODY: PA46 (UL94-V0)
  - (B). PIN MATERIAL: BRASS
- PIN FINISH:
- TIN - 3 µm (118 µin) MIN MATTE TIN
  - OVER 2 µm (79 µin) MIN NICKEL
  - GOLD - 0.76 µm (30 µin) MIN GOLD IN CONTACT AREA, 3 µm (118 µin) MIN MATTE TIN IN SOLDER AREA.
  - 2 µm (79 µin) MIN NICKEL UNDERPLATE
2. ELECTRICAL RATING: 300V, 18A (PER UL)
3. OPERATING TEMPERATURE: -40°C to +115°C.
4. INSULATION RESISTANCE: DC 500V, 500MΩ.
5. DIELECTRIC WITHSTAND: AC 2500V FOR 1 MINUTE.
6. BREAKDOWN VOLTAGE : 4000V.

TOLERANCES			
MM	TOL	INCH	TOL
0-6	±0.25	0-.24	±.010
>6-30	±0.40	.24-1.18	±.016
>30-120	±0.50	1.18-4.76	±.020
>120	±0.80	>4.76	±.031

FUNCTIONAL SYMBOLS		THIS DRAWING CONTAINS INFORMATION THAT IS PROPRIETARY TO MOLEX ELECTRONIC TECHNOLOGIES, LLC AND SHOULD NOT BE USED WITHOUT WRITTEN PERMISSION		CURRENT REV DESC: MODIFIED SPECIFICATIONS	
FA = 0	MM/INCH	SCALE	4:1		
FE = 0	GENERAL TOLERANCES (UNLESS SPECIFIED)				
FD = 0		MM	INCH		
	4 PLACES	±	---	±	---
	3 PLACES	±	---	±	SEE CHART
	2 PLACES	±	SEE CHART	±	SEE CHART
	1 PLACE	±	SEE CHART	±	---
	0 PLACES	±	---	±	---
	ANGULAR TOL		±	---	
DIVISIONAL SYMBOLS		EC NO: 735568			
		DRWN: ABENJAMINLW		2023/01/11	
		CHKD: DACHAMMER		2023/01/17	
		APPR: JFMURPHY		2023/01/27	
		INITIAL REVISION:			
		DRWN: LROTHAUS		2006/01/09	
		APPR: JPAWLICK		2006/01/10	
DRAFT WHERE APPLICABLE MUST REMAIN WITHIN DIMENSIONS		THIRD ANGLE PROJECTION	DRAWING	SERIES	MATERIAL NUMBER
			B-SIZE	39522	SEE SHEET-2
			CUSTOMER	GENERAL MARKET	
			SHEET NUMBER		1 OF 2

