

| MATERIAL NUMBER | | | CKT SIZE | DESCRIPTION | POL | COLOR |
|--------------------------------|--------------------------------|-------------------------------|----------|------------------------------------|-----|-------|
| TRAY PACKAGING PK-31300-892 | TUBE PACKAGING PK-31301-063 | ALT TRAY PACK PK-31300-894 | | | | |
| 34691-0200 | 34691-9200 | 34691-9204 | 20 | STAC64 RIGHT ANGLE HEADER ASSEMBLY | A | BLACK |
| 34691-0201 | 34691-9201 | TBD | 20 | STAC64 RIGHT ANGLE HEADER ASSEMBLY | B | GREY |
| 34691-0202 | 34691-9202 | TBD | 20 | STAC64 RIGHT ANGLE HEADER ASSEMBLY | C | BROWN |
| 34691-0203 | 34691-9203 | TBD | 20 | STAC64 RIGHT ANGLE HEADER ASSEMBLY | D | GREEN |
| 34691-0160 | 34691-9160 | TBD | 16 | STAC64 RIGHT ANGLE HEADER ASSEMBLY | A | BLACK |
| 34691-0161 | 34691-9161 | TBD | 16 | STAC64 RIGHT ANGLE HEADER ASSEMBLY | B | GREY |
| 34691-0162 | 34691-9162 | TBD | 16 | STAC64 RIGHT ANGLE HEADER ASSEMBLY | C | BROWN |
| 34691-0120 | 34691-9120 | TBD | 12 | STAC64 RIGHT ANGLE HEADER ASSEMBLY | A | BLACK |
| 34691-0121 | 34691-9121 | TBD | 12 | STAC64 RIGHT ANGLE HEADER ASSEMBLY | B | GREY |
| 34691-0122 | 34691-9122 | TBD | 12 | STAC64 RIGHT ANGLE HEADER ASSEMBLY | C | BROWN |
| 34691-0080 | 34691-9080 | TBD | 8 | STAC64 RIGHT ANGLE HEADER ASSEMBLY | A | BLACK |
| 34691-0081 | 34691-9081 | TBD | 8 | STAC64 RIGHT ANGLE HEADER ASSEMBLY | B | GREY |
| 34691-0082 | 34691-9082 | TBD | 8 | STAC64 RIGHT ANGLE HEADER ASSEMBLY | C | BROWN |

- NOTES: VALID UNLESS OTHERWISE SPECIFIED
1. GENERAL:
- CONNECTOR HEADER MUST BE VALIDATED TO THE FOLLOWING FUNCTIONAL REQUIREMENTS:
POLARIZATION FEATURE EFFECTIVENESS - SEE PRODUCT SPECIFICATION
PIN RETENTION - USCAR-2 REV 4
SOLDERABILITY - SMES-152
 - APPLICATION REQUIREMENTS (REFERENCE ONLY) FOR:
SEE APPLICATION SPECIFICATION - AS-34729-020/AS-31408-100
SEE PRODUCT SPECIFICATION - PS-34729-020/PS-31408-100
 - PACKAGING SPECIFICATION: SEE CHART
2. DESIGN: MATERIALS:
- SHROUD (PLASTIC HOUSING):
RESIN - SPS 30%GF - 20% REGRIND MAX. BY WEIGHT
 - 0.64MM PINS:
BASE MATERIAL: C26000
PLATING TYPE: AS NOTED
 - PIN ALIGNMENT PLATE: NYLAR
3. PLATING REQUIREMENTS:
- UNDERPLATING - OVERALL NICKEL
 - OVERPLATING - OVERALL TIN
4. INTERFACE: USCAR
064-U-008-2-202
064-U-012-2-203
064-U-016-2-203
064-U-020-2-202
SOME CHAMFERS HAVE BEEN MODIFIED TO IMPROVE POLARIZATION EFFECTIVENESS. SEE AS-34729-002/AS-31408-100.

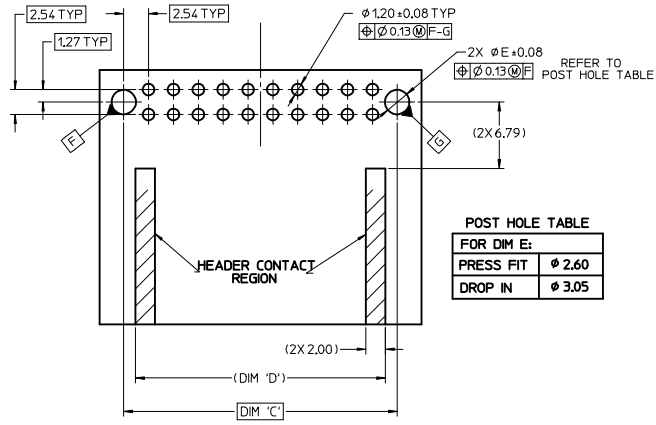
| UPDATED DIMENSIONS EC NO: UAU2007-1044 DRAWN BY: FISCHER01 2017/05/11 CHKD: APPR:RB/NUMAN 2017/05/15 DESCRIPTION: | QUALITY SYMBOLS | GENERAL TOLERANCES (UNLESS SPECIFIED) <table border="1"> <tr><th></th><th>mm</th><th>INCH</th></tr> <tr><td>4 PLACES</td><td>±.005</td><td>±.0005</td></tr> <tr><td>3 PLACES</td><td>±.008</td><td>±.0008</td></tr> <tr><td>2 PLACES</td><td>±.013</td><td>±.0013</td></tr> <tr><td>1 PLACE</td><td>±.025</td><td>±.0025</td></tr> </table> ANGULAR ± 3° | | mm | INCH | 4 PLACES | ±.005 | ±.0005 | 3 PLACES | ±.008 | ±.0008 | 2 PLACES | ±.013 | ±.0013 | 1 PLACE | ±.025 | ±.0025 | DIMENSION STYLE MM ONLY | SCALE 2:1 | DESIGN UNITS METRIC | THIRD ANGLE PROJECTION |
|--|--|--|-------------------------------------|----------------------------|------|----------|-------|--------|----------|-------|--------|----------|-------|--------|---------|-------|--------|-----------------------------------|---------------------|-------------------------------|-----------------------------------|
| | | mm | INCH | | | | | | | | | | | | | | | | | | |
| 4 PLACES | ±.005 | ±.0005 | | | | | | | | | | | | | | | | | | | |
| 3 PLACES | ±.008 | ±.0008 | | | | | | | | | | | | | | | | | | | |
| 2 PLACES | ±.013 | ±.0013 | | | | | | | | | | | | | | | | | | | |
| 1 PLACE | ±.025 | ±.0025 | | | | | | | | | | | | | | | | | | | |
| DRAWN BY: MBAILEY CHECKED BY: EDILLON APPROVED BY: SMARCEAU DATE: 10/02/06 DATE: 04/18/07 DATE: 2010/11/04 | TITLE STAC64 SINGLE BAY RIGHT ANGLE ASSEMBLY SALES DRAWING | MOLEX INCORPORATED | DOCUMENT NO. SD-34691-100 | SHEET NO. 1 OF 2 | | | | | | | | | | | | | | | | | |

DRAFT WHERE APPLICABLE MUST REMAIN WITHIN DIMENSIONS

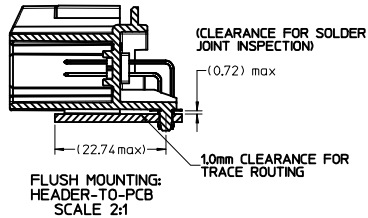
THIS DRAWING CONTAINS INFORMATION THAT IS PROPRIETARY TO MOLEX INCORPORATED AND SHOULD NOT BE USED WITHOUT WRITTEN PERMISSION

| CKT SIZE | DIM 'A' | DIM 'B' | DIM 'C' | DIM 'D' |
|----------|---------|---------|---------|---------|
| 20 | 34.04 | 31.57 | 27.94 | 25.54 |
| 16 | 28.96 | 26.49 | 22.86 | 20.46 |
| 12 | 23.88 | 21.41 | 17.78 | 15.38 |
| 8 | 18.80 | 16.53 | 12.70 | 10.30 |

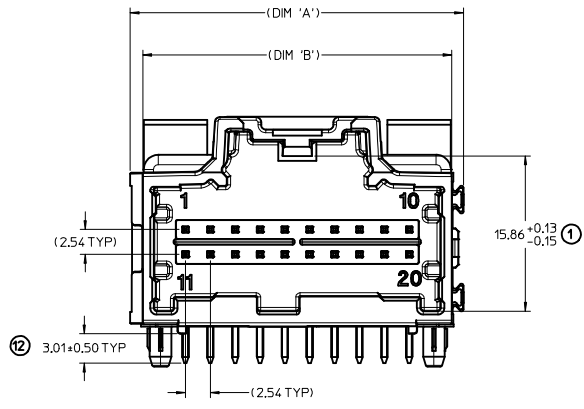
RECOMMENDED PCB LAYOUT



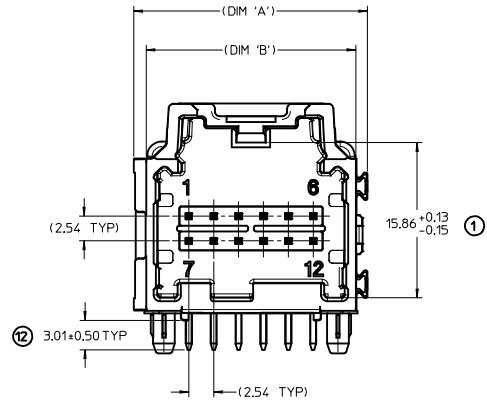
| POST HOLE TABLE | |
|-----------------|-------------|
| FOR DIM E: | |
| PRESS FIT | $\phi 2.60$ |
| DROP IN | $\phi 3.05$ |



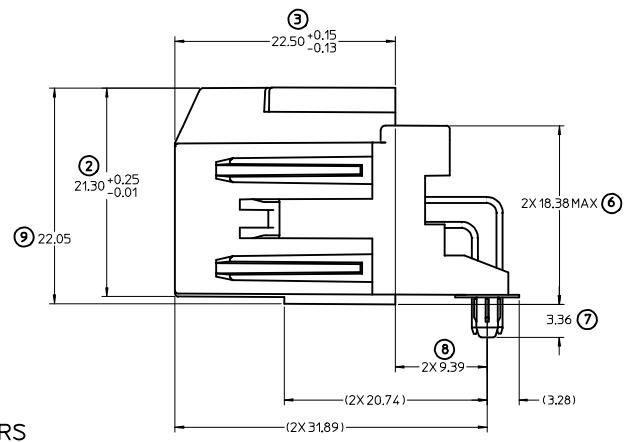
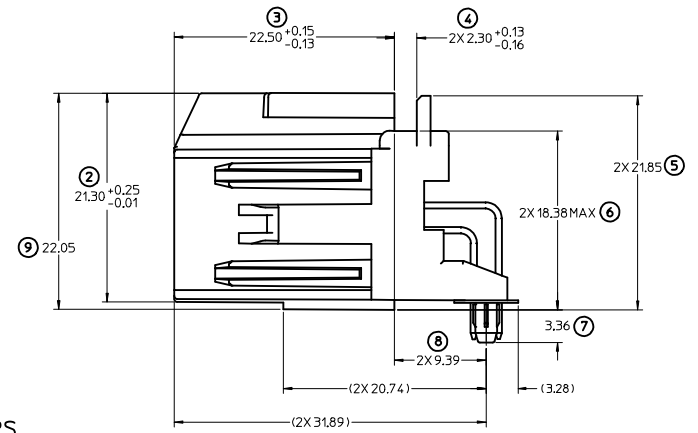
RECOMMENDED FOR WAVE SOLDER
 FOR REFLOW CAPABLE PLASTIC PAP SEE:
 SD-34691-600



LAYOUT FOR 16 & 20 CKT. HEADERS
(20 CKT. OPTION 'A' SHOWN)

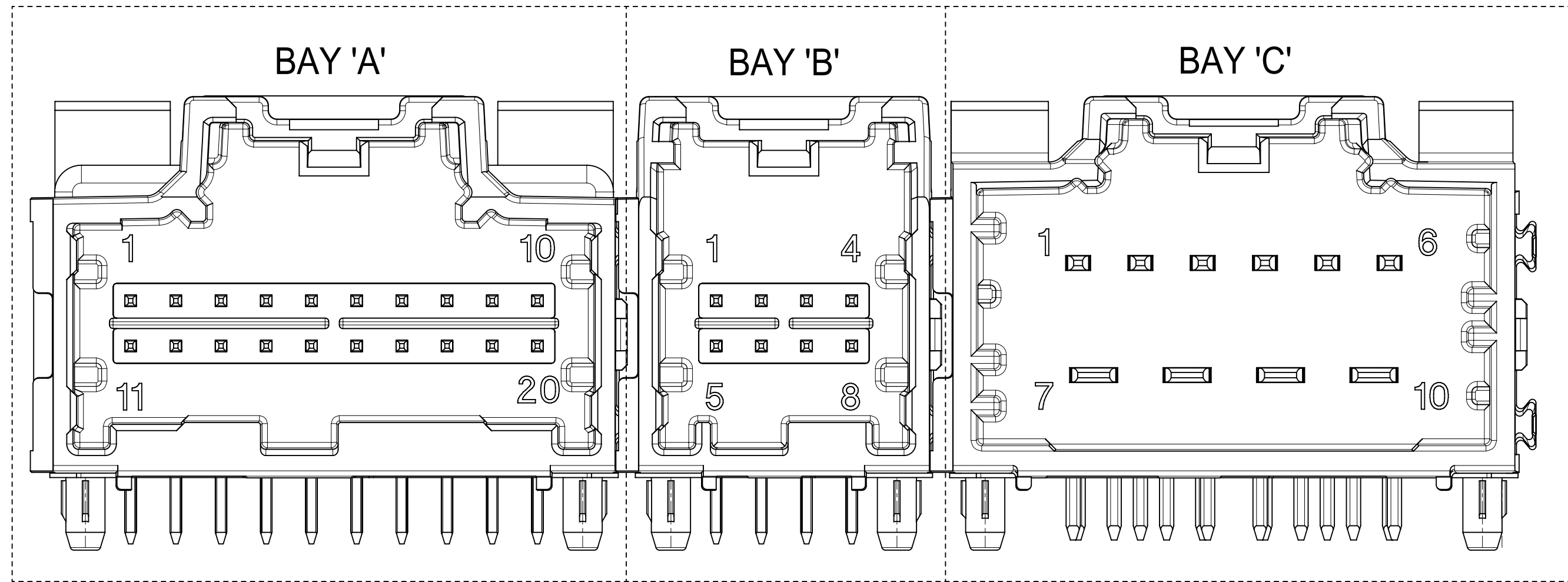


LAYOUT FOR 8 & 12 CKT. HEADERS
(12 CKT. OPTION 'A' SHOWN)



| REV | DESCRIPTION | QUALITY SYMBOLS | GENERAL TOLERANCES (UNLESS SPECIFIED) | | DIMENSION STYLE | | SCALE | DESIGN UNITS | THIRD ANGLE PROJECTION |
|--|-------------|-----------------|---------------------------------------|------|-----------------|---|-------|--------------|------------------------|
| | | | mm | INCH | MM ONLY | DATE | | | |
| 4 | PLACES | ± | --- | ± | --- | --- | --- | --- | --- |
| 3 | PLACES | ± | --- | ± | --- | --- | --- | --- | --- |
| 2 | PLACES | ± | 0.13 | ± | --- | --- | --- | --- | --- |
| 1 | PLACE | ± | 0.25 | ± | --- | --- | --- | --- | --- |
| | | | ANGULAR | | ± | 3° | | | |
| DRAFT WHERE APPLICABLE MUST REMAIN WITHIN DIMENSIONS | | | DRAWN BY | | DATE | TITLE | | | |
| | | | MBAILEY | | 10/02/06 | STAC64 SINGLE BAY RIGHT ANGLE ASSEMBLY SALES DRAWING | | | |
| | | | CHECKED BY | | DATE | MOLEX INCORPORATED | | | |
| | | | CDILLON | | 04/18/07 | MATERIAL NO. SD-34691-100 | | | |
| | | | APPROVED BY | | DATE | DOCUMENT NO. 2 OF 2 | | | |
| | | | SMARCEAU | | 2010/11/04 | SEE CHART SD-34691-100 | | | |
| | | | SIZE | | D | THIS DRAWING CONTAINS INFORMATION THAT IS PROPRIETARY TO MOLEX INCORPORATED AND SHOULD NOT BE USED WITHOUT WRITTEN PERMISSION | | | |

3-BAY STAC64 RIGHT ANGLE HEADER ASSEMBLY (P/N: 34708-3040 SHOWN)



NOTES: VALID UNLESS OTHERWISE SPECIFIED

1. GENERAL:

a. CONNECTOR HEADER MUST BE VALIDATED TO THE FOLLOWING FUNCTIONAL REQUIREMENTS:

PRODUCT SPECIFICATION:
8-20 CKT 0.64 PRODUCT SPEC: PS-34729-020/PS-31408-100
10/14 CKT HYBRID PRODUCT SPEC: PS-31372-100

b. APPLICATION REQUIREMENTS (REFERENCE ONLY):

APPLICATION SPECIFICATION: AS-34729-020/AS-31408-100

c. PACKAGING SPECIFICATION PER MOLEX DRAWING PK-31300-892 (TRAY)
d. PACKAGING SPECIFICATION PER MOLEX DRAWING PK-31301-063 (TUBE)

2. DESIGN: MATERIALS:

a. SHROUD (PLASTIC HOUSING):
RESIN - SPS 30%GF
COLOR:
POL A - BLACK
POL B - GRAY
POL C - BROWN
POL D - GREEN

b. 0.64mm PINS:
BASE MATERIAL: C26000
PLATING TYPE: AS NOTED

1.50/2.80mm BLADES:
BASE MATERIAL: C19400
PLATING TYPE: AS NOTED

3. PLATING REQUIREMENTS:

a. UNDERPLATING - OVERALL NICKEL

b. OVERPLATING - OVERALL TIN

4. FOR DESCRIPTION OF INDIVIDUAL BAYS, REFER TO THE FOLLOWING

SINGLE BAY DRAWINGS:
8-20 CKT 0.64: SD-34691-100
10 CKT HYBRID: SD-34696-100
14 CKT HYBRID: SD-34773-010

| SYMBOLS | THIS DRAWING CONTAINS INFORMATION THAT IS PROPRIETARY TO MOLEX ELECTRONIC TECHNOLOGIES, LLC AND SHOULD NOT BE USED WITHOUT WRITTEN PERMISSION | | | |
|-----------------|---|------------------------|---------------|---|
| DIMENSION UNITS | SCALE | CURRENT REV DESC: | | molex |
| = 0 | mm | 1:1 | | |
| = 0 | GENERAL TOLERANCES (UNLESS SPECIFIED) | | | |
| = 0 | ANGULAR TOL | ± 1.0° | | PRODUCT CUSTOMER DRAWING |
| = 0 | 4 PLACES | ± | | |
| = 0 | 3 PLACES | ± | | DOCUMENT NUMBER DOC TYPE DOC PART REVISION |
| = 0 | 2 PLACES | ± 0.13 | | |
| = 0 | 1 PLACE | ± 0.25 | | SD-34708-300 |
| = 0 | 0 PLACES | ± | | |
| = 0 | DRAFT WHERE APPLICABLE MUST REMAIN WITHIN DIMENSIONS | THIRD ANGLE PROJECTION | DRAWING | SERIES 34708 |
| = 0 | | | D-SIZE | |
| | | | | MATERIAL NUMBER CUSTOMER SHEET NUMBER |
| | | | | GENERAL MARKET 1 OF 6 |

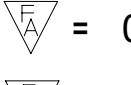
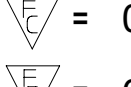
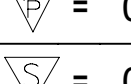

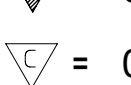
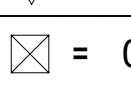

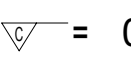

DIMENSIONAL CHART FOR MULTIBAY CONFIGURATION:

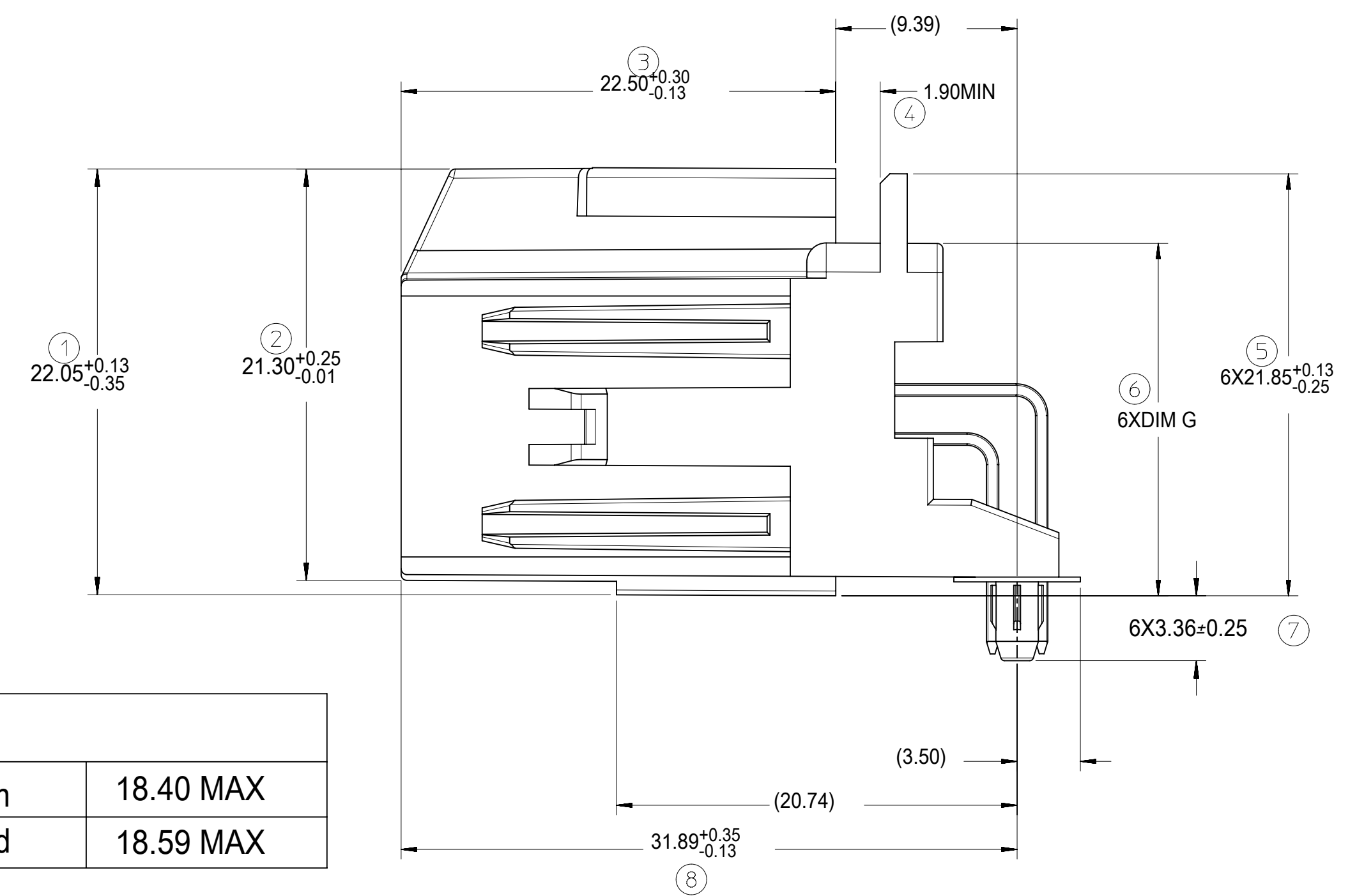
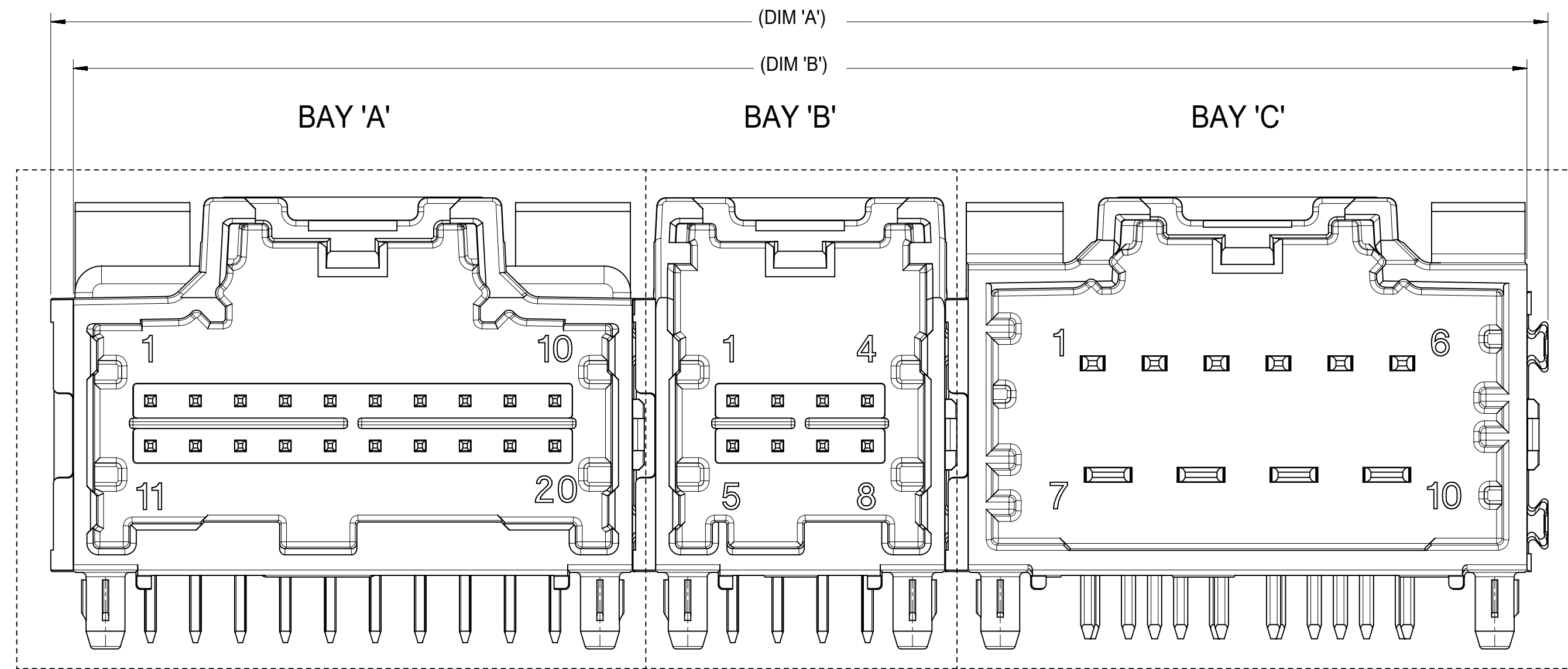
| 3 BAY PART NUMBER (TUBE PKG) | 3 BAY PART NUMBER (TRAY PKG) | BAY A | | | BAY B | | | BAY C | | | DIM 'A' | DIM 'B' | DIM 'C' | DIM 'D' | DIM 'E' |
|------------------------------|------------------------------|-------|--------|-----|-------|--------|-----|-------|--------|-----|---------|---------|---------|---------|---------|
| | | CKT | TYPE | POL | CKT | TYPE | POL | CKT | TYPE | POL | | | | | |
| | 34708-3000 | 16 | 0.64mm | B | 16 | 0.64mm | A | 12 | 0.64mm | B | 79.52 | 77.05 | 22.86 | 22.86 | 17.78 |
| | 34708-3001 | 20 | 0.64mm | A | 20 | 0.64mm | B | 12 | 0.64mm | A | 89.86 | 87.21 | 27.94 | 27.94 | 17.78 |
| | 34708-3002 | 20 | 0.64mm | A | 20 | 0.64mm | B | 14 | HYBRID | C | 99.84 | 97.37 | 27.94 | 27.94 | 27.94 |
| | 34708-3003 | 10 | HYBRID | A | 16 | 0.64mm | A | 8 | 0.64mm | C | 79.52 | 77.05 | 27.94 | 22.86 | 12.70 |
| | 34708-3004 | 16 | 0.64mm | A | 16 | 0.64mm | B | 16 | 0.64mm | C | 84.60 | 82.13 | 22.86 | 22.86 | 22.86 |
| | 34708-3006 | 20 | 0.64mm | D | 20 | 0.64mm | B | 20 | 0.64mm | C | 99.84 | 97.37 | 27.94 | 27.94 | 27.94 |
| TBD | 34708-3007 | 20 | 0.64mm | A | 12 | 0.64mm | A | 20 | 0.64mm | D | 89.68 | 87.21 | 27.94 | 17.78 | 27.94 |
| TBD | 347083008 | 20 | 0.64mm | A | 10 | HYBRID | B | 10 | HYBRID | A | 99.84 | 97.37 | 27.94 | 27.94 | 27.94 |
| 34708-8010 | 34708-3010 | 20 | 0.64mm | A | 20 | 0.64mm | B | 16 | 0.64mm | A | 94.76 | 92.29 | 27.94 | 27.94 | 22.86 |
| TBD | 34708-3020 | 10 | HYBRID | A | 20 | 0.64mm | B | 20 | 0.64mm | C | 99.84 | 97.37 | 27.94 | 27.94 | 27.94 |
| TBD | 34708-3021 | 10 | HYBRID | A | 20 | 0.64mm | C | 20 | 0.64mm | D | 99.84 | 97.37 | 27.94 | 27.94 | 27.94 |
| TBD | 34708-3022 | 20 | 0.64mm | B | 16 | 0.64mm | C | 10 | HYBRID | A | 94.76 | 92.29 | 27.94 | 22.86 | 27.94 |
| TBD | 34708-3030 | 16 | 0.64mm | A | 12 | 0.64mm | A | 10 | HYBRID | A | 84.60 | 82.13 | 22.86 | 17.78 | 27.94 |
| TBD | 34708-3040 | 20 | 0.64mm | A | 8 | 0.64mm | A | 10 | HYBRID | A | 84.60 | 82.13 | 27.94 | 12.70 | 27.94 |
| TBD | 34708-3050 | 10 | HYBRID | A | 16 | 0.64mm | B | 16 | 0.64mm | C | 89.68 | 87.21 | 27.94 | 22.86 | 22.86 |
| TBD | 34708-3060 | 16 | 0.64mm | A | 20 | 0.64mm | C | 20 | 0.64mm | D | 94.76 | 92.29 | 22.86 | 27.94 | 27.94 |
| 34708-8070 | 34708-3070 | 20 | 0.64mm | A | 20 | 0.64mm | B | 10 | HYBRID | A | 99.84 | 97.37 | 27.94 | 27.94 | 27.94 |
| TBD | 34708-3071 | 20 | 0.64mm | A | 10 | HYBRID | A | 10 | HYBRID | B | 99.84 | 97.37 | 27.94 | 27.94 | 27.94 |
| TBD | 34708-3080 | 12 | 0.64mm | A | 12 | 0.64mm | B | 16 | 0.64mm | A | 74.44 | 71.97 | 17.78 | 17.78 | 22.86 |
| TBD | 34708-3081 | 20 | 0.64mm | D | 12 | 0.64mm | B | 20 | 0.64mm | C | 89.68 | 87.21 | 27.94 | 17.78 | 27.94 |
| TBD | 34708-3082 | 12 | 0.64mm | C | 8 | 0.64mm | A | 8 | 0.64mm | B | 59.20 | 56.73 | 17.78 | 12.70 | 12.70 |
| TBD | 34708-3083 | 8 | 0.64mm | C | 16 | 0.64mm | B | 16 | 0.64mm | C | 74.44 | 71.97 | 12.70 | 22.86 | 22.86 |
| TBD | 34708-3084 | 16 | 0.64mm | A | 8 | 0.64mm | A | 8 | 0.64mm | B | 64.28 | 61.81 | 22.86 | 12.70 | 12.70 |
| TBD | 34708-3085 | 20 | 0.64mm | A | 20 | 0.64mm | B | 20 | 0.64mm | C | 99.84 | 97.37 | 27.94 | 27.94 | 27.94 |
| TBD | 34708-3086 | 20 | 0.64mm | A | 20 | 0.64mm | B | 8 | 0.64mm | A | 84.60 | 82.13 | 27.94 | 27.94 | 12.70 |
| TBD | 34708-3087 | 20 | 0.64mm | A | 16 | 0.64mm | A | 8 | 0.64mm | A | 79.52 | 77.05 | 27.94 | 22.86 | 12.70 |
| TBD | 34708-3088 | 12 | 0.64mm | A | 16 | 0.64mm | A | 12 | 0.64mm | B | 74.44 | 71.97 | 17.78 | 22.86 | 17.78 |
| TBD | 34708-3089 | 16 | 0.64mm | A | 16 | 0.64mm | B | 20 | 0.64mm | A | 89.68 | 87.21 | 22.86 | 22.86 | 27.94 |
| TBD | 34708-3090 | 16 | 0.64mm | C | 16 | 0.64mm | A | 8 | 0.64mm | B | 74.44 | 71.97 | 22.86 | 22.86 | 12.70 |
| TBD | 34708-3091 | 20 | 0.64mm | C | 12 | 0.64mm | C | 16 | 0.64mm | B | 84.60 | 82.13 | 27.94 | 17.78 | 22.86 |
| TBD | 34708-3092 | 12 | 0.64mm | B | 8 | 0.64mm | C | 20 | 0.64mm | D | 74.44 | 71.97 | 17.78 | 12.70 | 27.94 |
| TBD | 34708-3093 | 16 | 0.64mm | B | 16 | 0.64mm | A | 8 | 0.64mm | A | 74.44 | 71.97 | 22.86 | 22.86 | 12.70 |
| TBD | 34708-3094 | 20 | 0.64mm | D | 20 | 0.64mm | B | 8 | 0.64mm | A | 84.60 | 82.13 | 27.94 | 27.94 | 12.70 |
| TBD | 34708-3095 | 20 | 0.64mm | A | 16 | 0.64mm | C | 12 | 0.64mm | B | 84.60 | 82.13 | 27.94 | 22.86 | 17.78 |
| TBD | 34708-3096 | 16 | 0.64mm | A | 16 | 0.64mm | B | 20 | 0.64mm | C | 89.68 | 87.21 | 22.86 | 22.86 | 27.94 |
| TBD | 34708-3097 | 16 | 0.64mm | C | 12 | 0.64mm | B | 20 | 0.64mm | A | 84.60 | 82.13 | 22.86 | 17.78 | 27.94 |
| TBD | 34708-3098 | 20 | 0.64mm | B | 20 | 0.64mm | C | 20 | 0.64mm | D | 99.84 | 97.37 | 27.94 | 27.94 | 27.94 |

| | | |
|-------------------------------|---|--------------|
| SYMBOLS | THIS DRAWING CONTAINS INFORMATION THAT IS PROPRIETARY TO MOLEX ELECTRONIC TECHNOLOGIES, LLC AND SHOULD NOT BE USED WITHOUT WRITTEN PERMISSION | |
| | DIMENSION UNITS | SCALE |
| ▽ = 0 | mm | 1:1 |
| ▽ = 0 | GENERAL TOLERANCES (UNLESS SPECIFIED) | |
| ▽ = 0 | ANGULAR TOL ± 1.0° | |
| ▽ = 0 | 4 PLACES | ± |
| ▽ = 0 | 3 PLACES | ± |
| ▽ = 0 | 2 PLACES | ± 0.13 |
| ▽ = 0 | 1 PLACE | ± 0.25 |
| ▽ = 0 | 0 PLACES | ± |
| ■ = 0 | DRAFT WHERE APPLICABLE MUST REMAIN WITHIN DIMENSIONS | |
| ▽ = 0 | THIRD ANGLE PROJECTION | DRAWING |
| | | |
| | D-SIZE | SERIES |
| | 34708 | |
| CURRENT REV DESC: | | |
| EC NO: 612618 | | |
| DRWN: SHANDITHAVAL 2019/02/22 | | |
| CHK'D: RBAUMAN 2019/02/23 | | |
| APPR: RBAUMAN 2019/02/23 | | |
| INITIAL REVISION: | | |
| DRWN: JDUNAJ 2009/03/10 | | |
| APPR: SMARCEAU 2009/03/11 | | |
| DOCUMENT NUMBER | DOC TYPE | DOC PART |
| SD-34708-300 | PSD | 001 |
| REVISION | | |
| U8 | | |
| MATERIAL NUMBER | CUSTOMER | SHEET NUMBER |
| | GENERAL MARKET | 2 OF 6 |

DIMENSIONAL CHART FOR MULTIBAY CONFIGURATION:

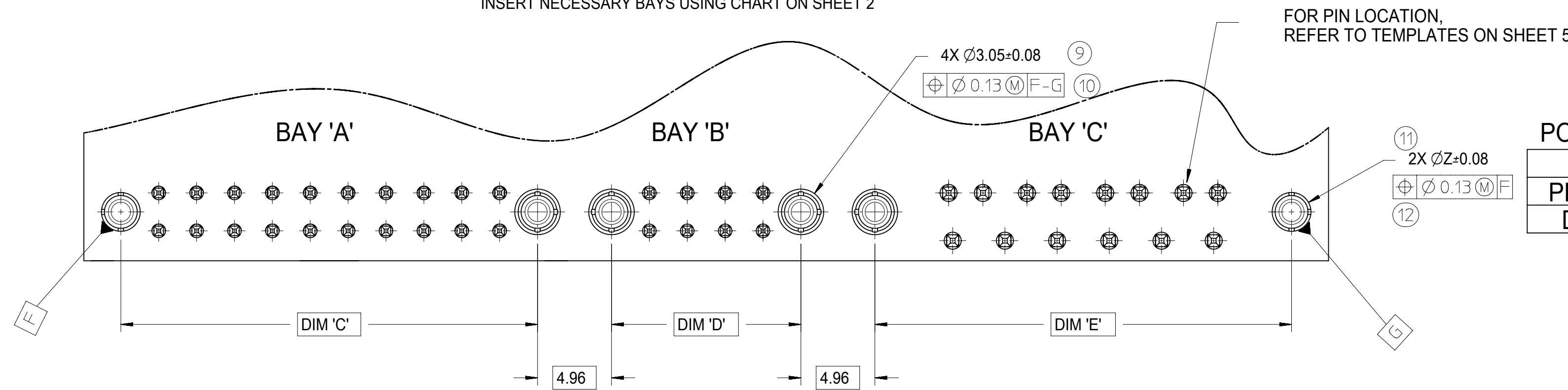
| 3 BAY PART NUMBER (TUBE PKG) | 3 BAY PART NUMBER (TRAY PKG) | BAY A | | | BAY B | | | BAY C | | | DIM 'A' | DIM 'B' | DIM 'C' | DIM 'D' | DIM 'E' |
|------------------------------|------------------------------|-------|--------|-----|-------|--------|-----|-------|--------|-----|---------|---------|---------|---------|---------|
| | | CKT | TYPE | POL | CKT | TYPE | POL | CKT | TYPE | POL | | | | | |
| | 34708-3099 | 10 | HYBRID | A | 20 | 0.64mm | D | 10 | HYBRID | B | 99.84 | 97.37 | 27.94 | 27.94 | 27.94 |

| | | | | | | | | |
|--|---|-------|--|--|--|-----|-----|-----------------|
| SYMBOLS  = 0  = 0  = 0  = 0  = 0  = 0  = 0  = 0 | THIS DRAWING CONTAINS INFORMATION THAT IS PROPRIETARY TO MOLEX ELECTRONIC TECHNOLOGIES, LLC AND SHOULD NOT BE USED WITHOUT WRITTEN PERMISSION | | CURRENT REV DESC: | |  3-BAY STAC64 RIGHT ANGLE HEADER ASSEMBLY SALES DRAWING | | | |
| | DIMENSION UNITS | SCALE | EC NO: 612618 | | | | | DOCUMENT NUMBER |
| | mm | 1:1 | DRWN: SHANDITHAVAL 2019/02/22 | | SD-34708-300 | PSD | 001 | U8 |
| | GENERAL TOLERANCES (UNLESS SPECIFIED) | | CHK'D: RBAUMAN 2019/02/23 | | PRODUCT CUSTOMER DRAWING | | | |
| | ANGULAR TOL ± 1.0° | | APPR: RBAUMAN 2019/02/23 | | INITIAL REVISION: | | | |
| | 4 PLACES ± | | DRWN: JDUNAJ 2009/03/10 | | MATERIAL NUMBER | | | |
| | 3 PLACES ± | | APPR: SMARCEAU 2009/03/11 | | CUSTOMER | | | |
| | 2 PLACES ± 0.13 | | DRAFT WHERE APPLICABLE MUST REMAIN WITHIN DIMENSIONS | | SHEET NUMBER | | | |
| | 1 PLACE ± 0.25 | | THIRD ANGLE PROJECTION | | GENERAL MARKET | | | |
| | 0 PLACES ± | | DRAWING | | 6 OF 6 | | | |



| FOR DIM G: | |
|-----------------|-----------|
| 8-20CKT 0.64mm | 18.40 MAX |
| 10/14CKT Hybrid | 18.59 MAX |

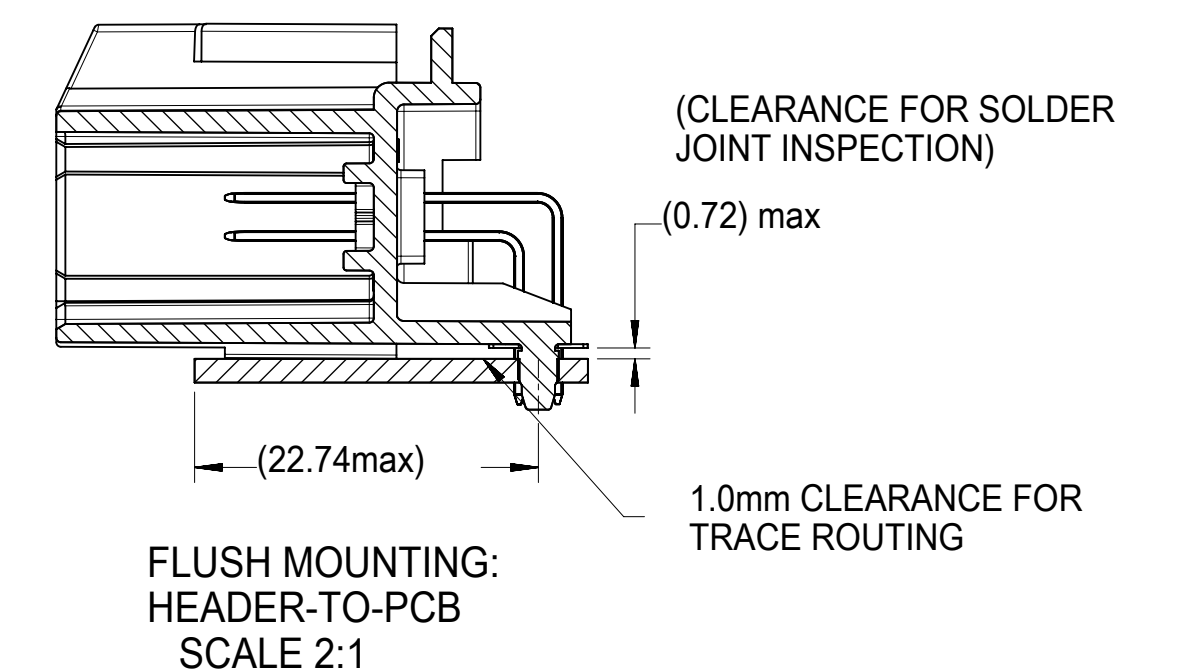
RECOMMENDED PCB LAYOUT
INSERT NECESSARY BAYS USING CHART ON SHEET 2



POST HOLE TABLE:

| FOR DIM Z: | |
|------------|------|
| PRESS FIT: | 2.60 |
| DROP IN: | 3.05 |

ALL CIRCUIT SIZES



| SYMBOLS | | THIS DRAWING CONTAINS INFORMATION THAT IS PROPRIETARY TO MOLEX ELECTRONIC TECHNOLOGIES, LLC AND SHOULD NOT BE USED WITHOUT WRITTEN PERMISSION | |
|-----------|--|---|--|
| DIMENSION | UNITS | SCALE | CURRENT REV DESC: |
| ▽ = 0 | mm | 1:1 | EC NO: 612618 DRWN: SHANDITHAVAL 2019/02/22 CHK'D: RBAUMAN 2019/02/23 APPR: RBAUMAN 2019/02/23 INITIAL REVISION: DRWN: JDUNAJ 2009/03/10 APPR: SMARCEAU 2009/03/11 |
| ▽ = 0 | GENERAL TOLERANCES (UNLESS SPECIFIED) | | |
| ▽ = 0 | ANGULAR TOL ± 1.0° | | |
| ▽ = 0 | 4 PLACES ± | | |
| ▽ = 0 | 3 PLACES ± | | |
| ▽ = 0 | 2 PLACES ± 0.13 | | MATERIAL NUMBER: 34708 CUSTOMER: GENERAL MARKET SHEET NUMBER: 3 OF 6 |
| ▽ = 0 | 1 PLACE ± 0.25 | | |
| ▽ = 0 | 0 PLACES ± | | |
| ▽ = 0 | DRAFT WHERE APPLICABLE MUST REMAIN WITHIN DIMENSIONS | | THIRD ANGLE PROJECTION D-SIZE SERIES: 34708 |

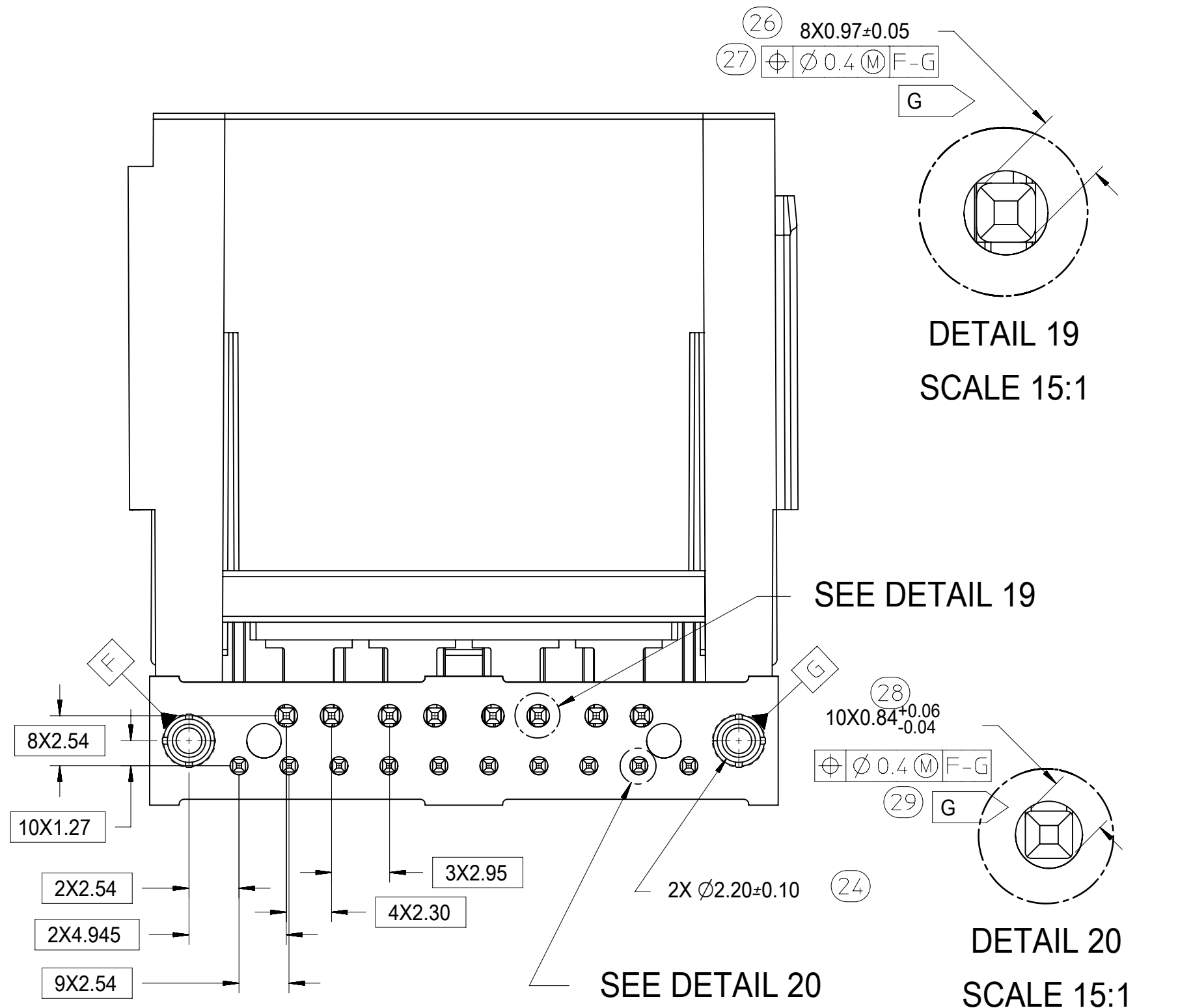
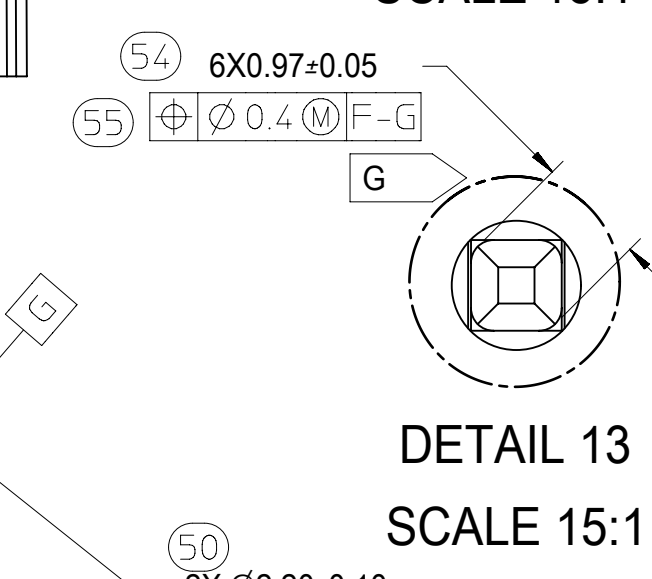
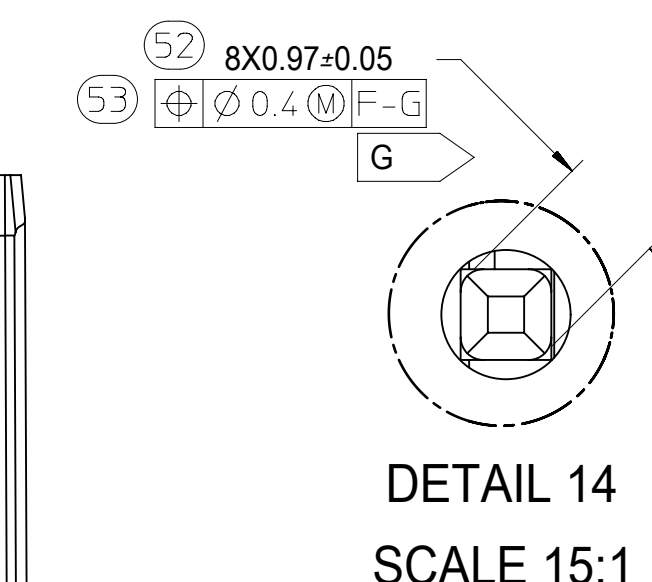
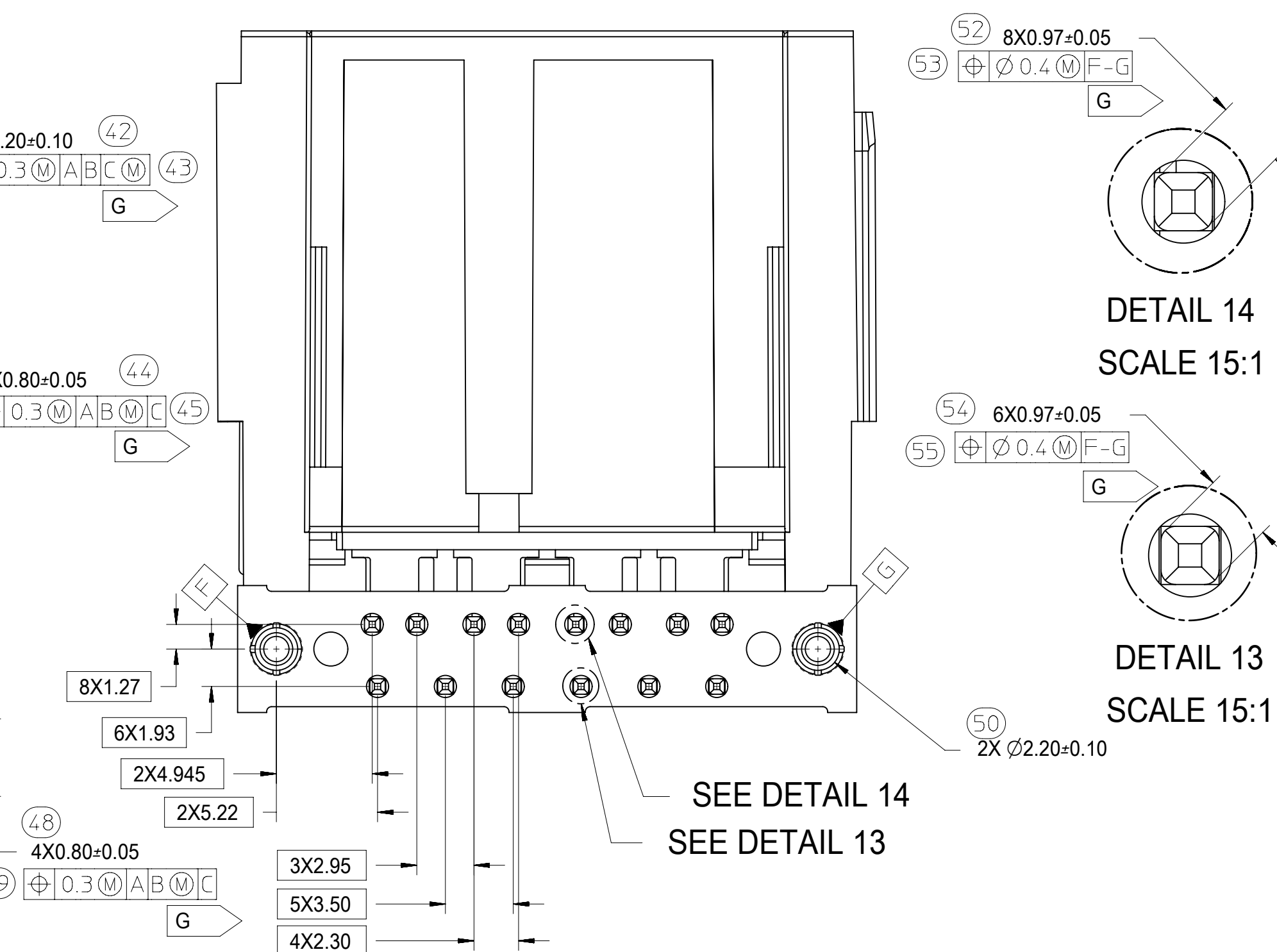
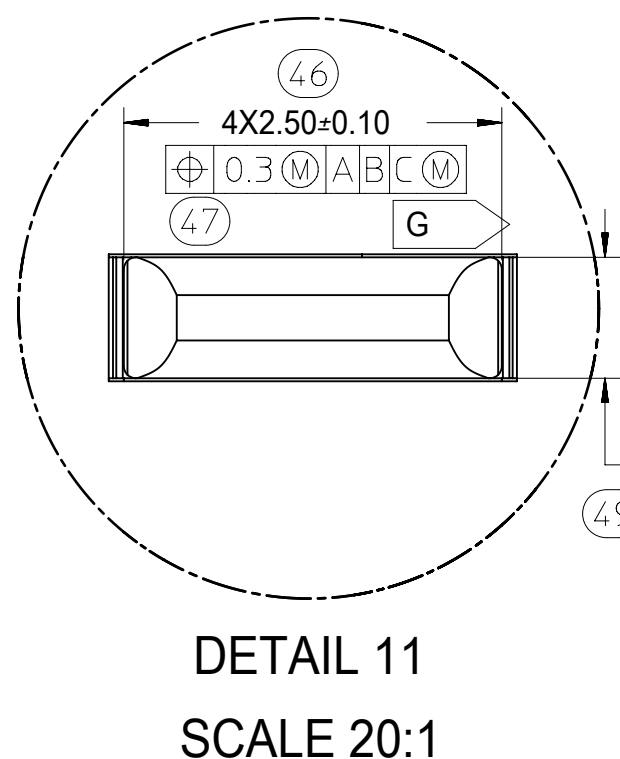
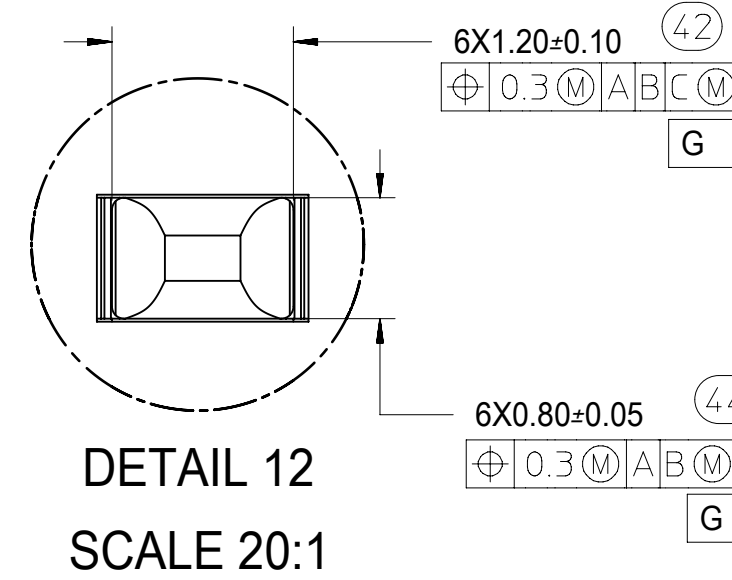
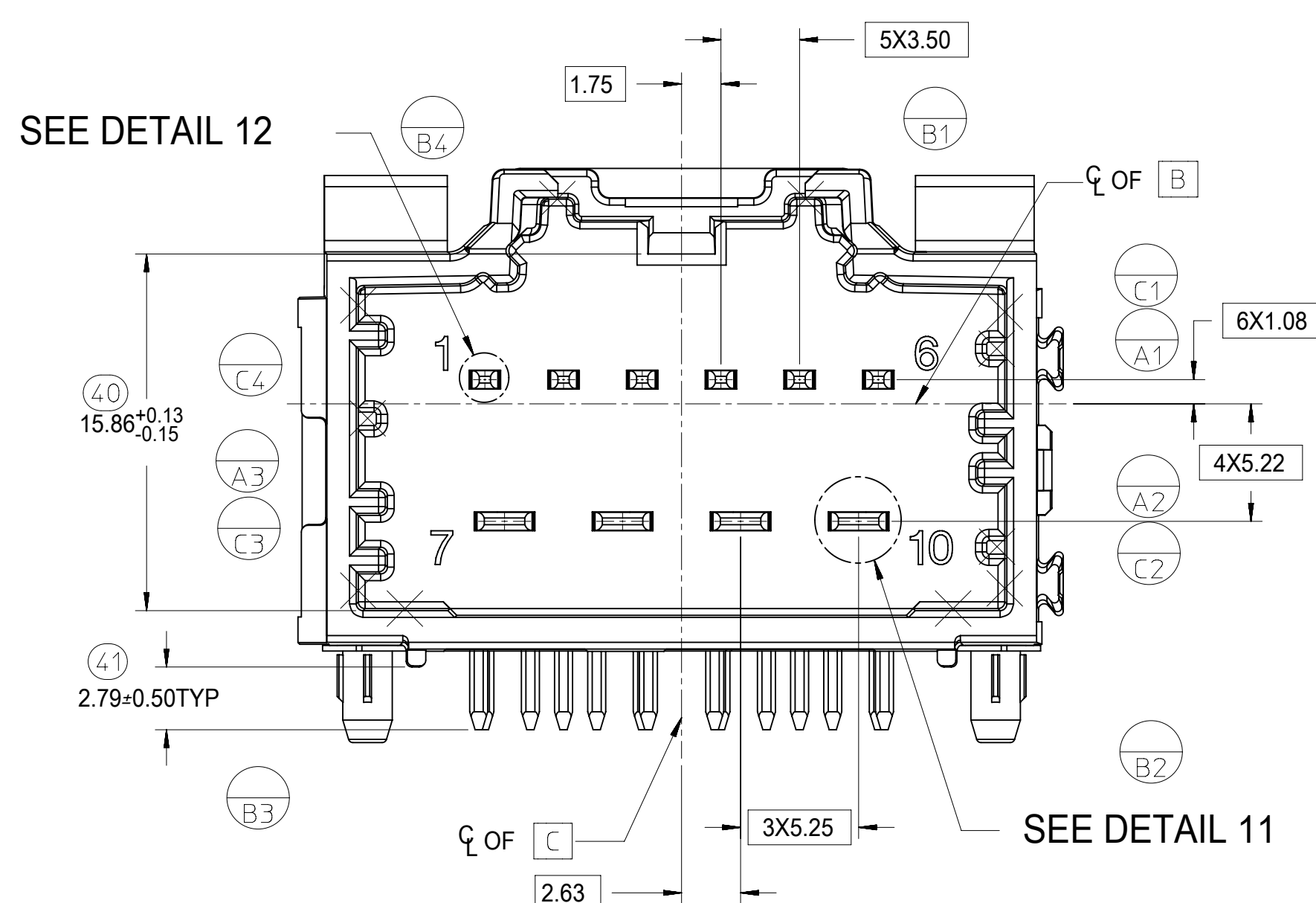
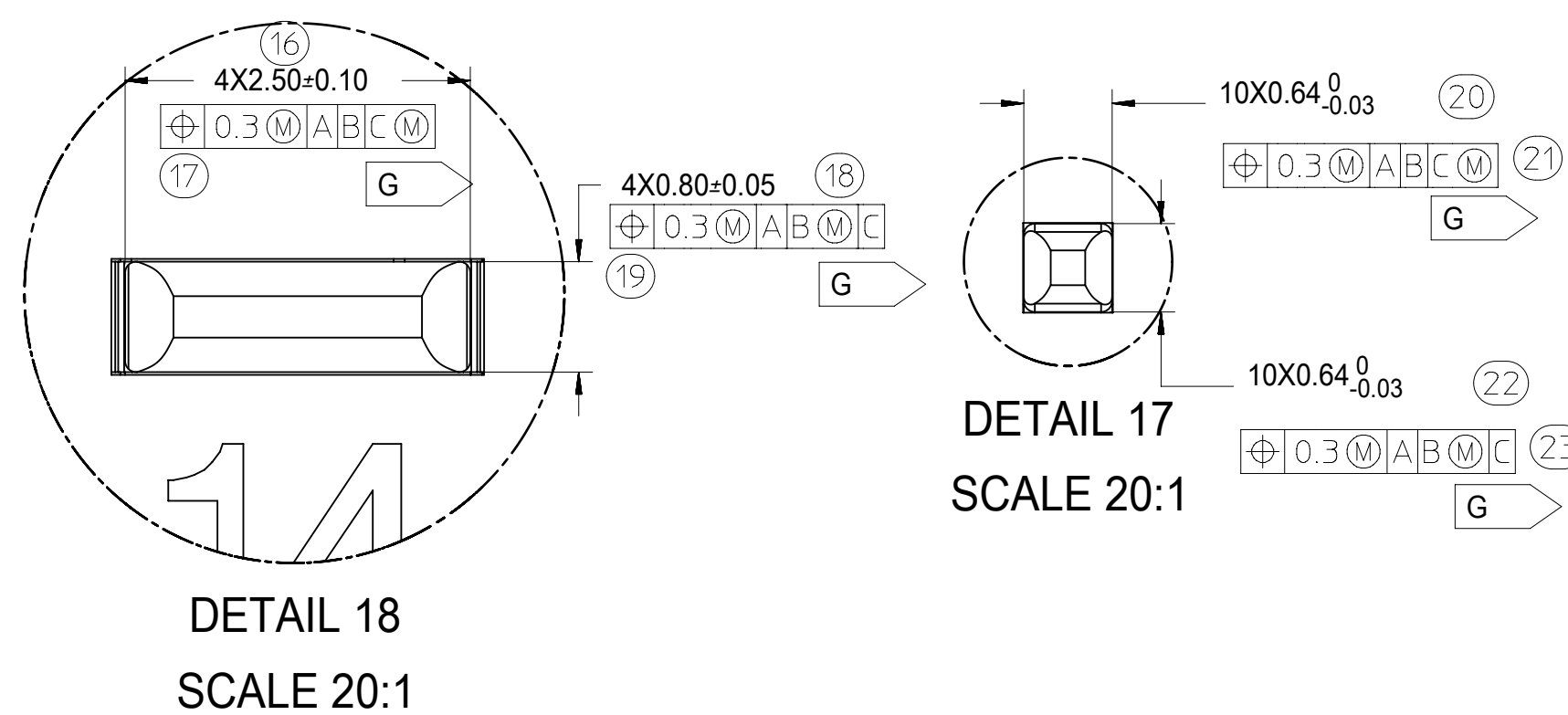
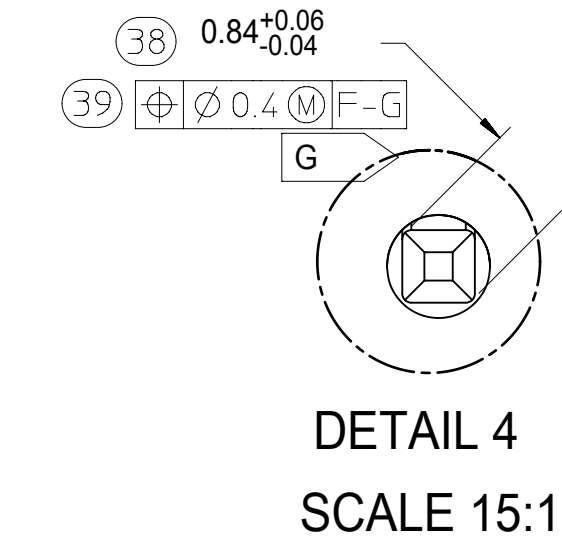
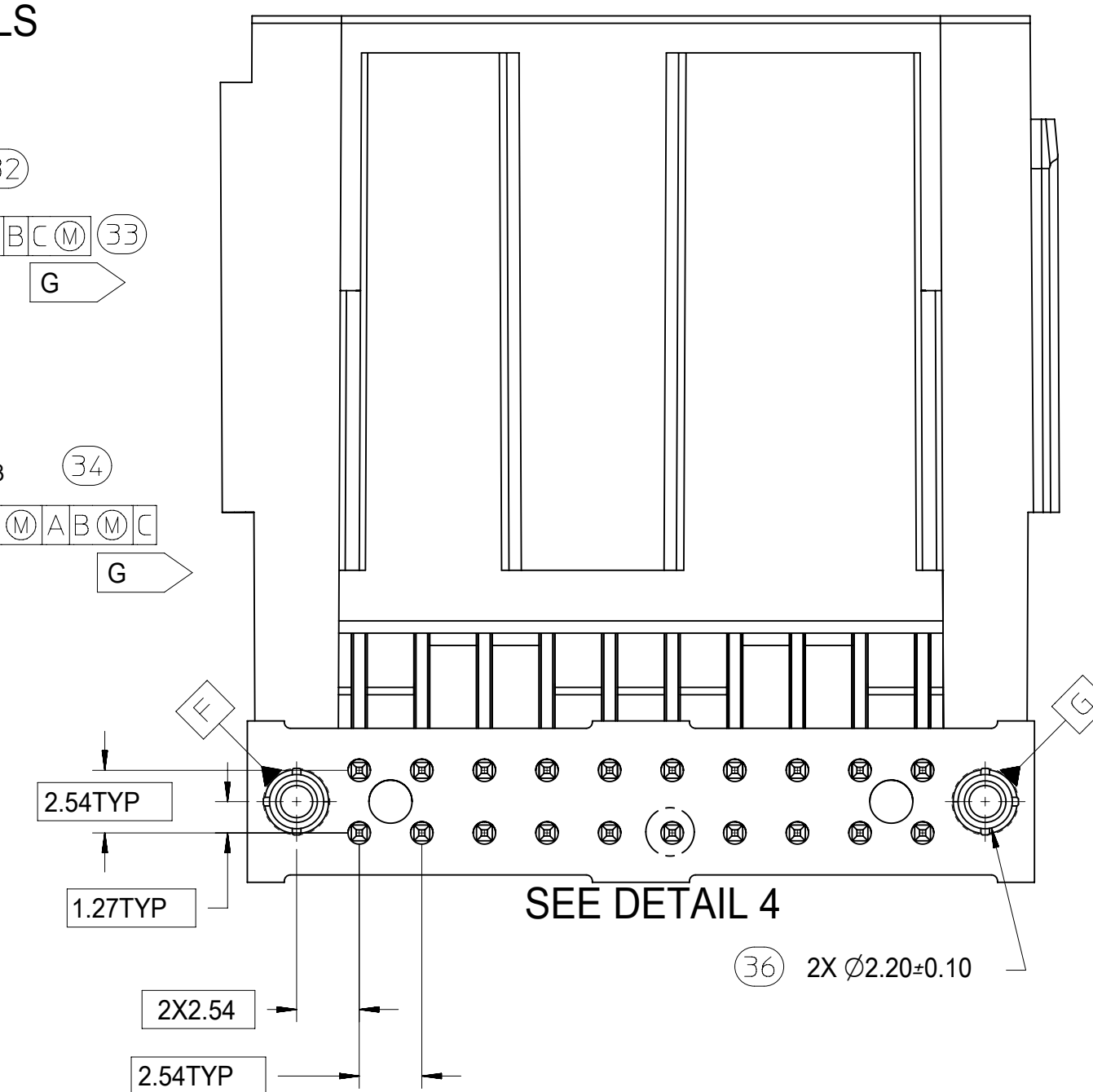
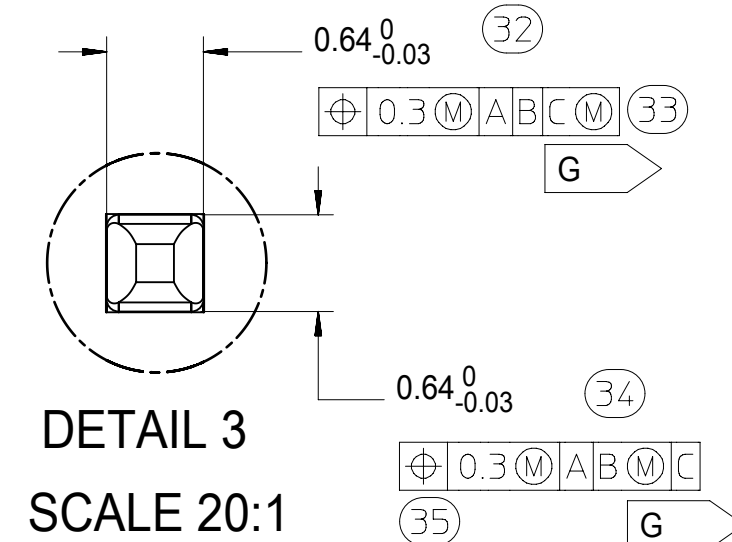
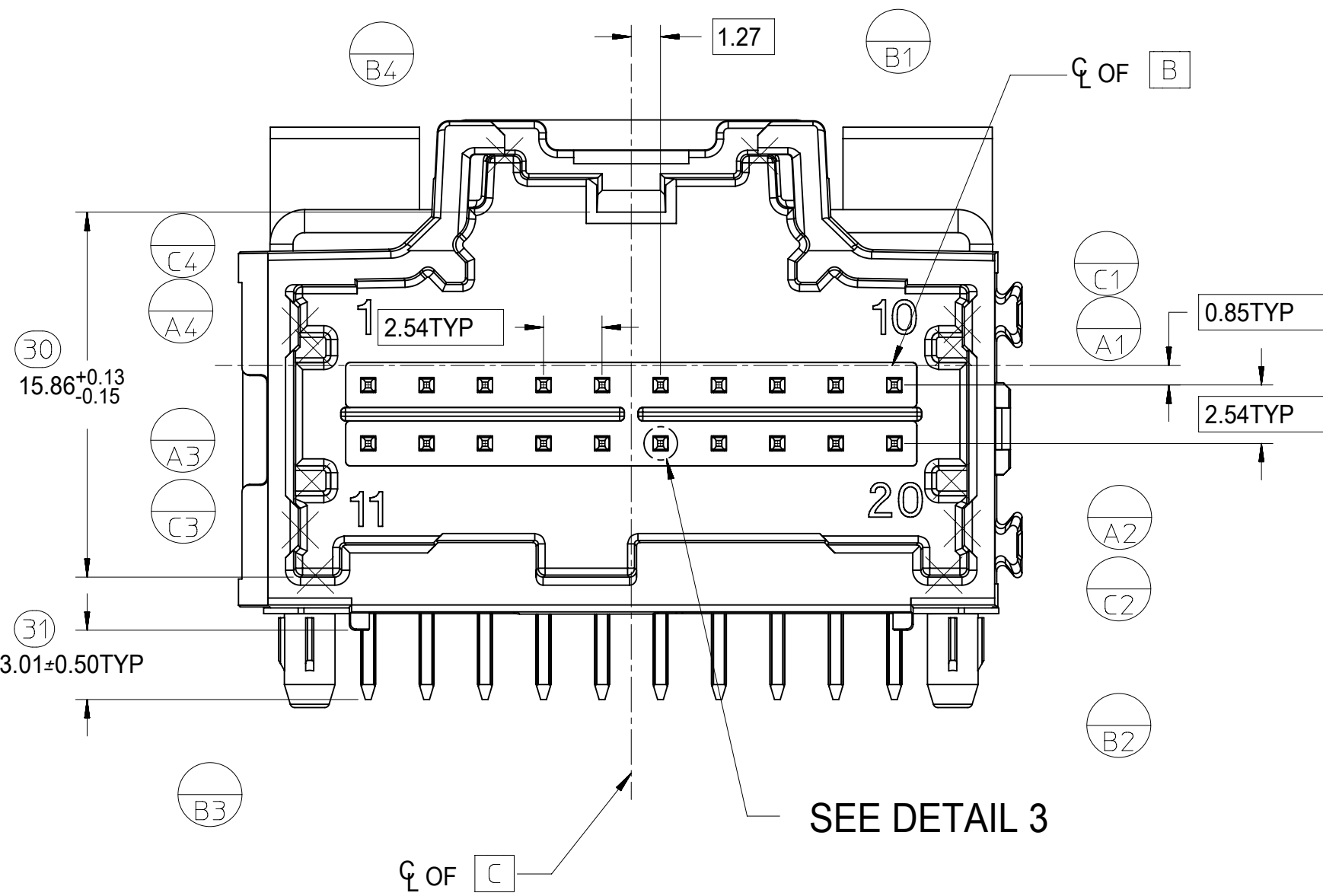
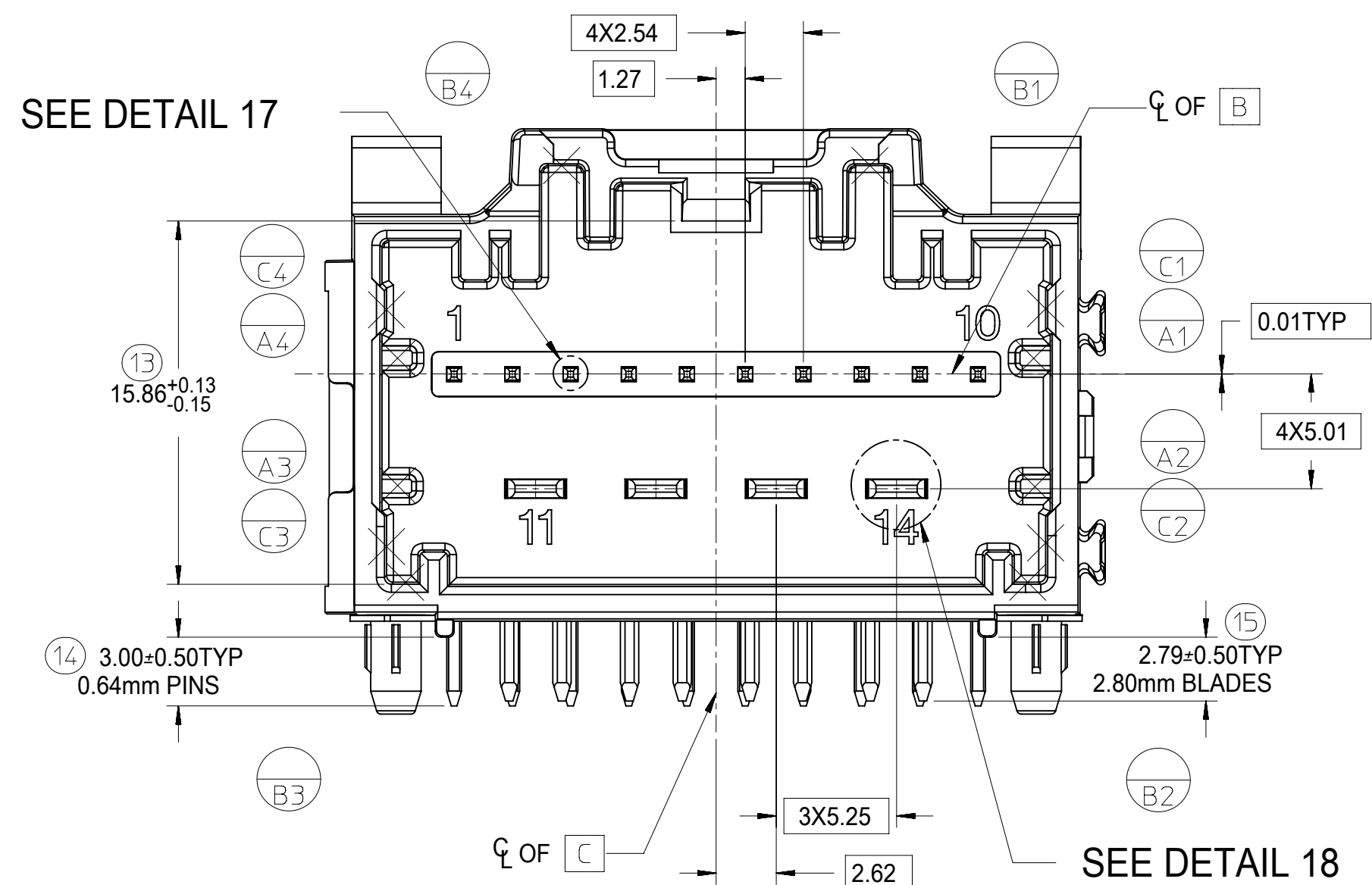
molex

3-BAY STAC64 RIGHT ANGLE
HEADER ASSEMBLY SALES DRAWING

PRODUCT CUSTOMER DRAWING

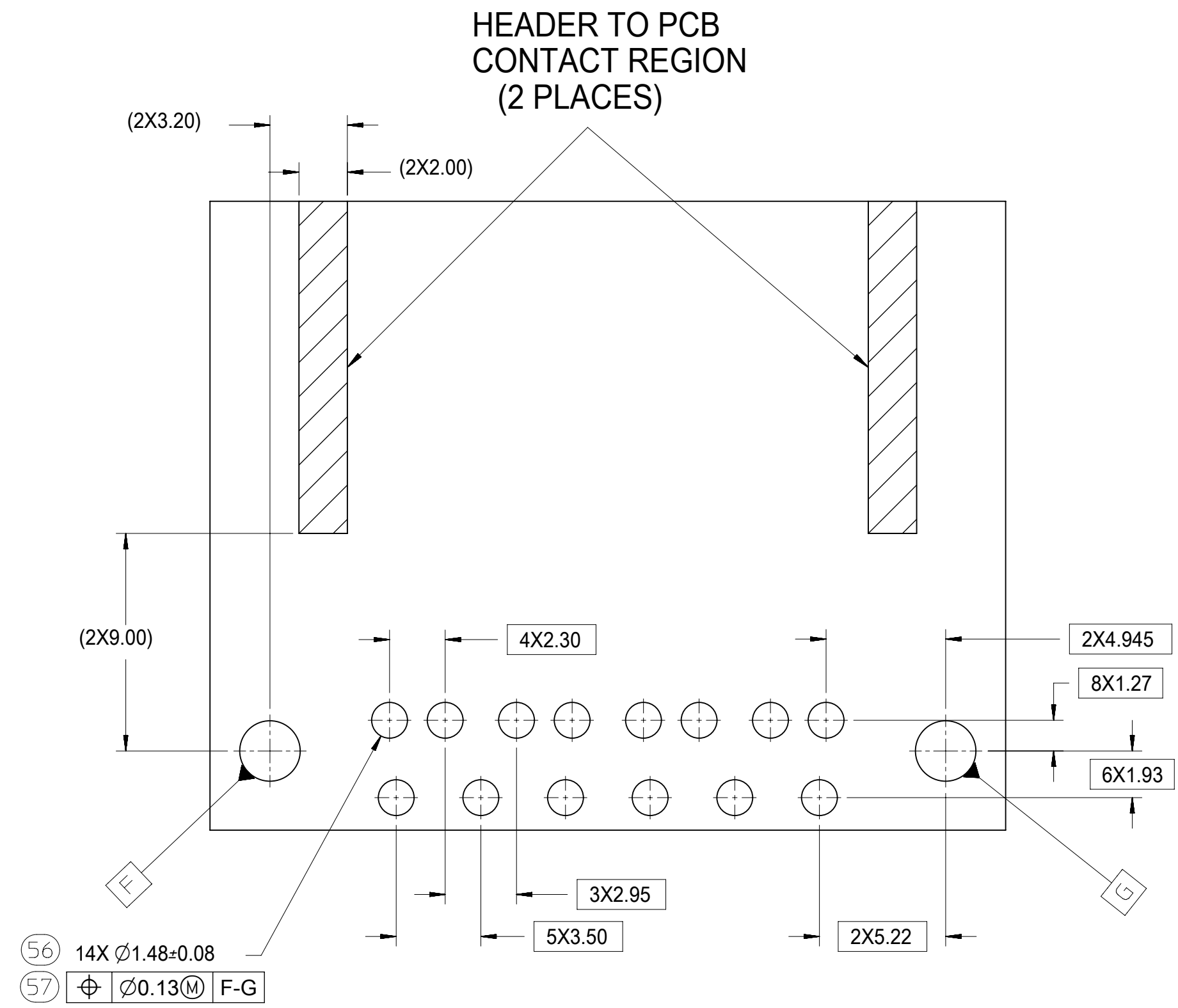
| DOCUMENT NUMBER | DOC TYPE | DOC PART | REVISION |
|-----------------|----------|----------|----------|
| SD-34708-300 | PSD | 001 | U8 |

8-20 CKT 0.64mm HEADER DETAILS

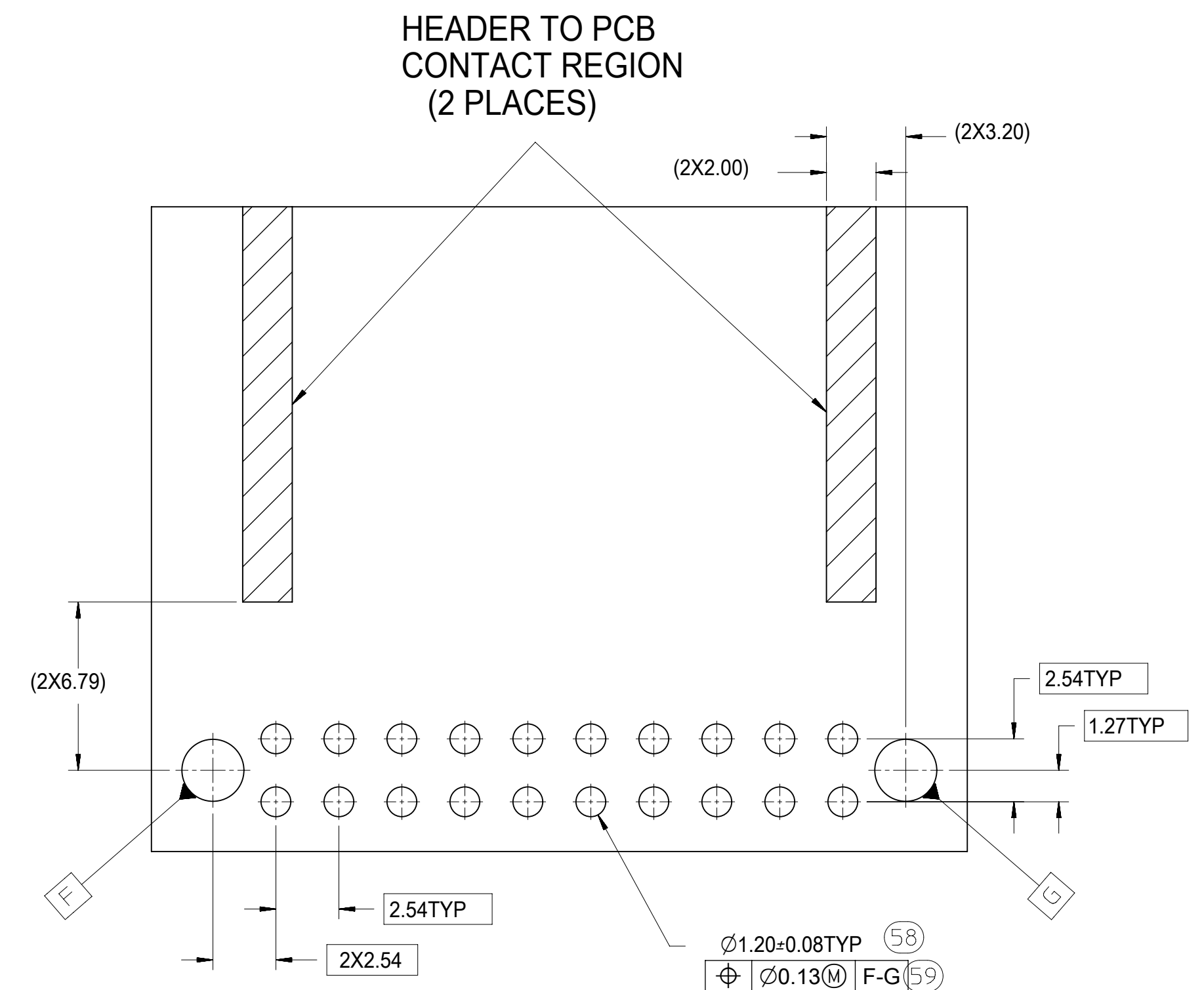


| | | | | |
|---------|---|-------|------------------------|----------------------------|
| SYMBOLS | THIS DRAWING CONTAINS INFORMATION THAT IS PROPRIETARY TO MOLEX ELECTRONIC TECHNOLOGIES, LLC AND SHOULD NOT BE USED WITHOUT WRITTEN PERMISSION | | CURRENT REV DESC: | |
| | DIMENSION UNITS | SCALE | | |
| ▽ = 0 | mm | 1:1 | | |
| ▽ = 0 | GENERAL TOLERANCES (UNLESS SPECIFIED) | | | |
| ▽ = 0 | ANGULAR TOL ± 1.0° | | | |
| ▽ = 0 | 4 PLACES ± | | | |
| ▽ = 0 | 3 PLACES ± | | | |
| ▽ = 0 | 2 PLACES ± 0.13 | | | |
| ▽ = 0 | 1 PLACE ± 0.25 | | | |
| ▽ = 0 | 0 PLACES ± | | | |
| ■ = 0 | DRAFT WHERE APPLICABLE MUST REMAIN WITHIN DIMENSIONS | | THIRD ANGLE PROJECTION | |
| ▽ = 0 | | | DRAWING | SERIES |
| | | | D-SIZE | 34708 |
| | | | MATERIAL NUMBER | CUSTOMER |
| | | | SD-34708-300 | GENERAL MARKET |
| | | | DOCUMENT NUMBER | DOC TYPE DOC PART REVISION |
| | | | PSD 001 U8 | |
| | | | SHEET NUMBER | 4 OF 6 |

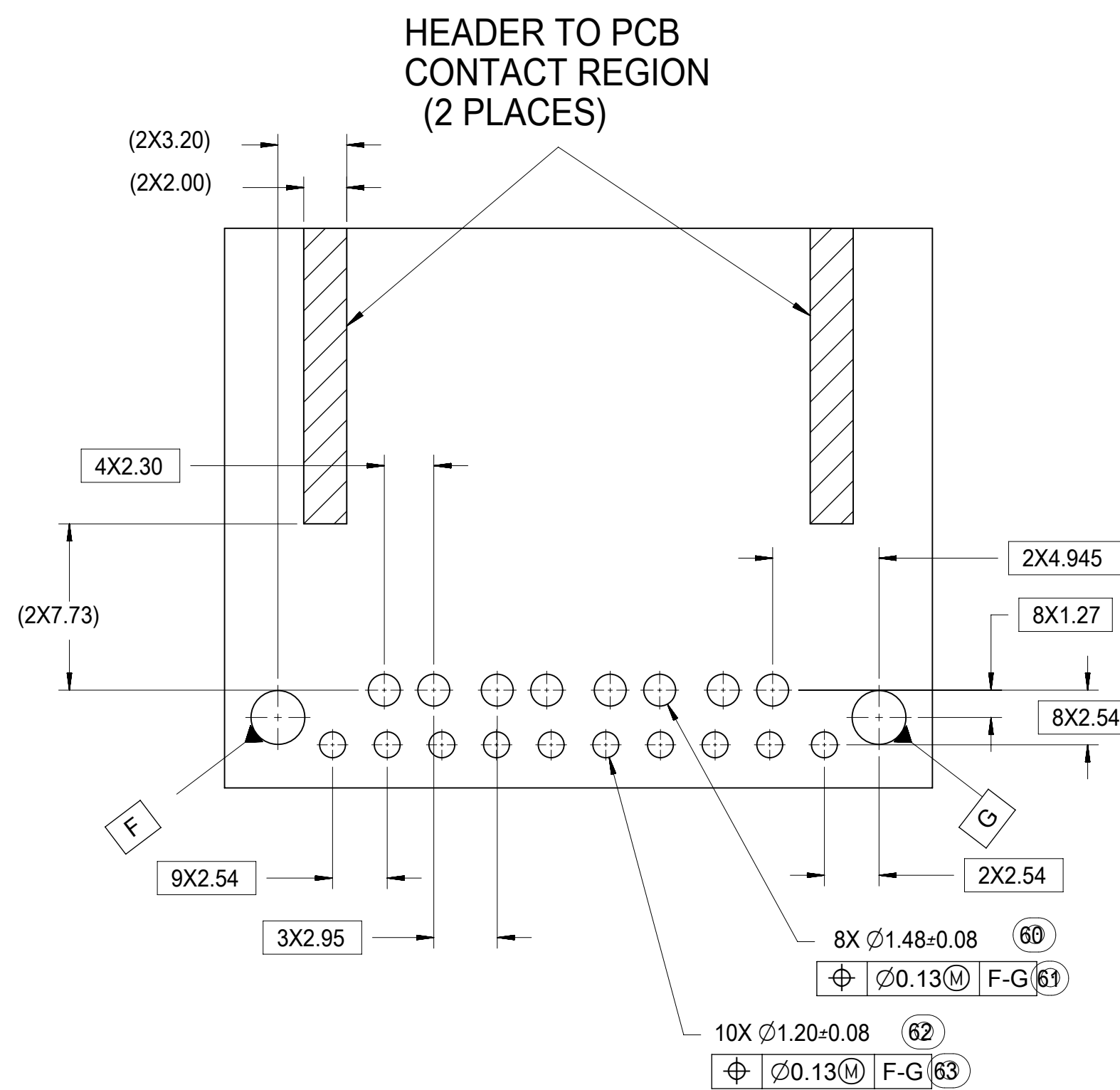
10 CKT HYBRID TEMPLATE PCB LAYOUT



8-20 CKT 0.64mm TEMPLATE PCB LAYOUT



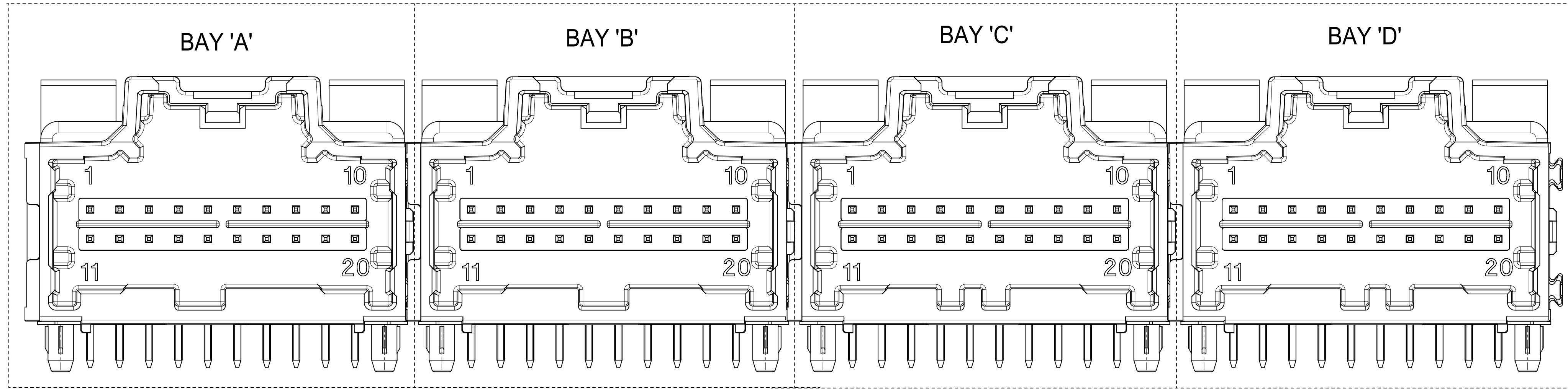
14 CKT HYBRID TEMPLATE PCB LAYOUT



| | | | |
|---------|---|---------|-------------------------------|
| SYMBOLS | THIS DRAWING CONTAINS INFORMATION THAT IS PROPRIETARY TO MOLEX ELECTRONIC TECHNOLOGIES, LLC AND SHOULD NOT BE USED WITHOUT WRITTEN PERMISSION | | |
| | DIMENSION UNITS | SCALE | CURRENT REV DESC: |
| ▽ = 0 | mm | 1:1 | |
| ▽ = 0 | GENERAL TOLERANCES (UNLESS SPECIFIED) | | |
| ▽ = 0 | ANGULAR TOL | ± 1.0° | |
| ▽ = 0 | 4 PLACES | ± | EC NO: 612618 |
| ▽ = 0 | 3 PLACES | ± | DRWN: SHANDITHAVAL 2019/02/22 |
| ▽ = 0 | 2 PLACES | ± 0.13 | CHK'D: RBAUMAN 2019/02/23 |
| ▽ = 0 | 1 PLACE | ± 0.25 | APPR: RBAUMAN 2019/02/23 |
| ▽ = 0 | 0 PLACES | ± | INITIAL REVISION: |
| ▽ = 0 | DRAFT WHERE APPLICABLE MUST REMAIN WITHIN DIMENSIONS | | |
| ▽ = 0 | THIRD ANGLE PROJECTION | DRAWING | SERIES |
| | | D-SIZE | 34708 |

| | | | |
|---|----------------|--------------|----------|
| molex | | | |
| 3-BAY STAC64 RIGHT ANGLE HEADER ASSEMBLY SALES DRAWING | | | |
| PRODUCT CUSTOMER DRAWING | | | |
| DOCUMENT NUMBER | DOC TYPE | DOC PART | REVISION |
| SD-34708-300 | PSD | 001 | U8 |
| MATERIAL NUMBER | CUSTOMER | SHEET NUMBER | |
| | GENERAL MARKET | 5 OF 6 | |

4 BAY STAC64 RIGHT ANGLE HEADER ASSEMBLY (P/N: 34708-4000 SHOWN)



NOTES: VALID UNLESS OTHERWISE SPECIFIED

1. GENERAL:

- a. CONNECTOR HEADER MUST BE VALIDATED TO THE FOLLOWING FUNCTIONAL REQUIREMENTS:

PRODUCT SPECIFICATION:
 8-20 CKT 0.64 PRODUCT SPEC: PS-34729-020/PS-31408-100
 10/14 CKT HYBRID PRODUCT SPEC: PS-31372-100

- b. APPLICATION REQUIREMENTS (REFERENCE ONLY):

APPLICATION SPECIFICATION: AS-34729-020/AS-31408-100

- c. PACKAGING SPECIFICATION PER MOLEX DRAWING PK-31300-892 (TRAY)
- d. PACKAGING SPECIFICATION PER MOLEX DRAWING PK-31301-063 (TUBE)
- e. PACKAGING SPECIFICATION PER MOLEX DRAWING PK-31300-894 (ALT TRAY)

2. DESIGN: MATERIALS:

- a. SHROUD (PLASTIC HOUSING):
RESIN - SPS 30%GF

- b. 0.64mm PINS:
BASE MATERIAL: C26000
PLATING TYPE: AS NOTED

- c. 1.50/2.80mm BLADES:
BASE MATERIAL: C19400
PLATING TYPE: AS NOTED

3. PLATING REQUIREMENTS:

- a. UNDERPLATING - OVERALL NICKEL
- b. OVERPLATING - OVERALL TIN

4. FOR DESCRIPTION OF INDIVIDUAL BAYS, REFER TO THE FOLLOWING

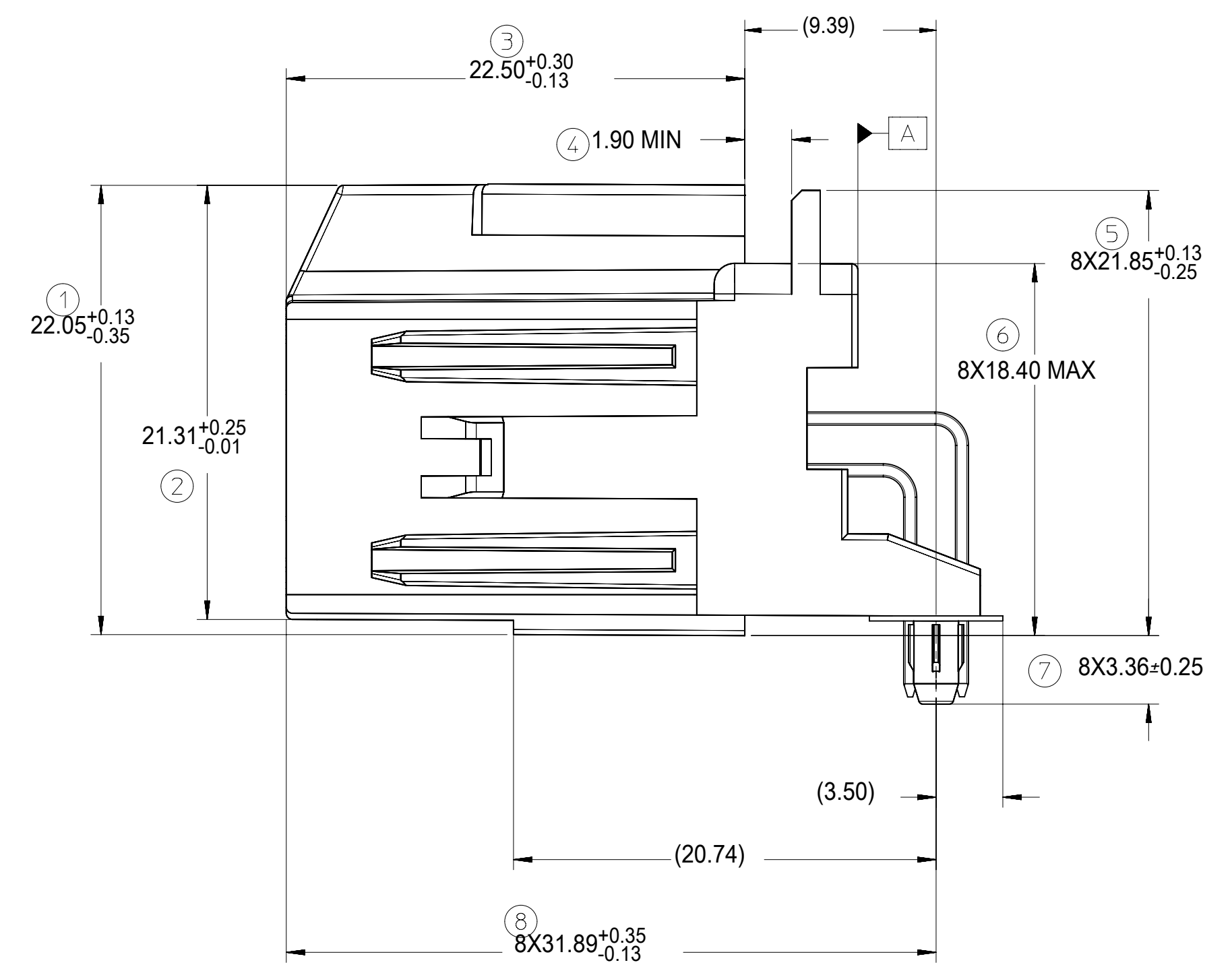
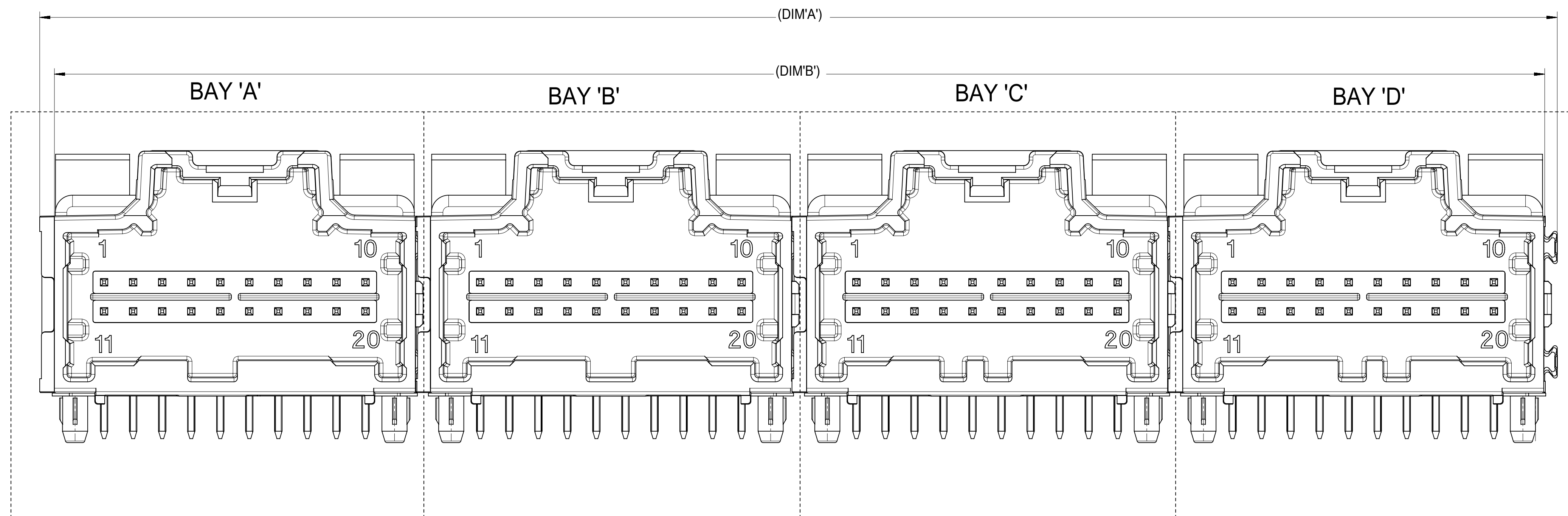
SINGLE BAY DRAWINGS:
 8-20 CKT 0.64: SD-34691-100
 10 CKT HYBRID: SD-34696-100
 14 CKT HYBRID: SD-34773-100

| | | | | |
|----------------|---|---------|--|--|
| SYMBOLS | THIS DRAWING CONTAINS INFORMATION THAT IS PROPRIETARY TO MOLEX ELECTRONIC TECHNOLOGIES, LLC AND SHOULD NOT BE USED WITHOUT WRITTEN PERMISSION | | | |
| | DIMENSION UNITS | SCALE | CURRENT REV DESC: | |
| | mm | 1:1 | EC NO: 612618 DRWN: SHANDITHAVAL 2019/01/23 CHK'D: RBAUMAN 2019/02/23 APPR: RBAUMAN 2019/02/23 INITIAL REVISION: DRWN: VDANIELE 2008/11/14 APPR: SMARCEAU 2008/11/14 | |
| | GENERAL TOLERANCES (UNLESS SPECIFIED) | | | |
| | ANGULAR TOL | ± 1.0° | | |
| | 4 PLACES | ± | | |
| | 3 PLACES | ± | | |
| | 2 PLACES | ± 0.13 | DOCUMENT NUMBER: SD-34708-400 DOC TYPE: PSD DOC PART: 001 REVISION: P | |
| | 1 PLACE | ± 0.25 | | |
| | 0 PLACES | ± | MATERIAL NUMBER: SEE TABLE CUSTOMER: GENERAL MARKET SHEET NUMBER: 1 OF 5 | |
| | DRAFT WHERE APPLICABLE MUST REMAIN WITHIN DIMENSIONS | | | |
| | THIRD ANGLE PROJECTION | DRAWING | SERIES | |
| | | D-SIZE | 34708 | |

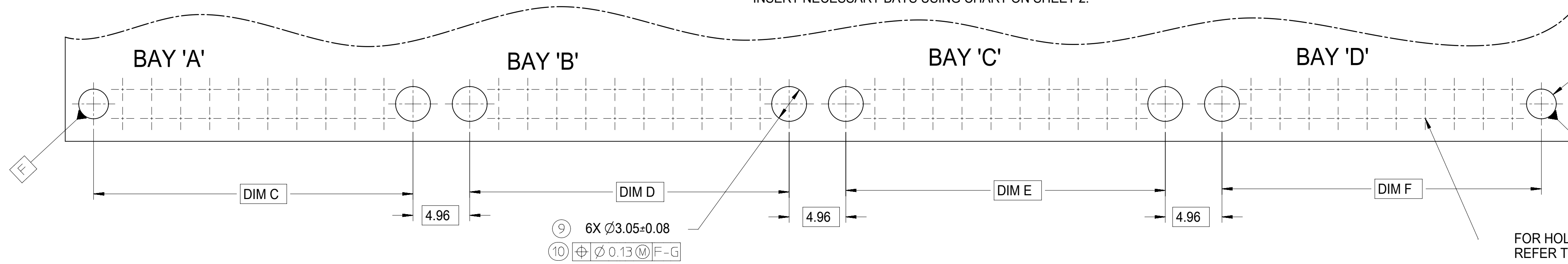
DIMENSIONAL CHART FOR MULTIBAY CONFIGURATION

| 4 BAY PART NUMBER (ALT TRAY) | 4 BAY PART NUMBER (TUBE PKG) | 4 BAY PART NUMBER (TRAY PKG) | BAY A | | | BAY B | | | BAY C | | | BAY D | | | DIM 'A' | DIM 'B' | DIM 'C' | DIM 'D' | DIM 'E' | DIM 'F' |
|------------------------------|------------------------------|------------------------------|-------|--------|-----|-------|--------|-----|-------|--------|-----|-------|--------|-----|---------|---------|---------|---------|---------|---------|
| | | | CKT | TYPE | POL | CKT | TYPE | POL | CKT | TYPE | POL | CKT | TYPE | POL | | | | | | |
| TBD | 34708-9000 | 34708-4000 | 20 | 0.64mm | A | 20 | 0.64mm | B | 20 | 0.64mm | C | 20 | 0.64mm | D | 132.74 | 130.27 | 27.94 | 27.94 | 27.94 | 27.94 |
| TBD | TBD | 34708-4010 | 12 | 0.64mm | A | 12 | 0.64mm | B | 16 | 0.64mm | A | 8 | 0.64mm | A | 92.10 | 89.63 | 17.78 | 17.78 | 22.86 | 12.70 |
| TBD | TBD | 34708-4020 | 16 | 0.64mm | B | 8 | 0.64mm | B | 16 | 0.64mm | C | 12 | 0.64mm | C | 97.18 | 94.71 | 22.86 | 12.70 | 22.86 | 17.78 |
| TBD | TBD | 34708-4030 | 16 | 0.64mm | A | 20 | 0.64mm | A | 12 | 0.64mm | A | 20 | 0.64mm | B | 117.50 | 115.03 | 22.86 | 27.94 | 17.78 | 27.94 |
| TBD | TBD | 34708-4040 | 20 | 0.64mm | B | 12 | 0.64mm | A | 20 | 0.64mm | A | 12 | 0.64mm | C | 112.42 | 109.95 | 27.94 | 17.78 | 27.94 | 17.78 |
| TBD | TBD | 34708-4050 | 20 | 0.64mm | A | 16 | 0.64mm | A | 8 | 0.64mm | A | 10 | HYBRID | A | 112.42 | 109.95 | 27.94 | 22.86 | 12.70 | 27.94 |
| TBD | TBD | 34708-4060 | 20 | 0.64mm | C | 20 | 0.64mm | A | 20 | 0.64mm | B | 12 | 0.64mm | A | 122.58 | 120.11 | 27.94 | 27.94 | 27.94 | 17.78 |
| TBD | TBD | 34708-4070 | 12 | 0.64mm | A | 20 | 0.64mm | D | 20 | 0.64mm | C | 20 | 0.64mm | A | 122.58 | 120.11 | 17.78 | 27.94 | 27.94 | 27.94 |
| TBD | TBD | 34708-4080 | 20 | 0.64mm | B | 8 | 0.64mm | A | 20 | 0.64mm | A | 12 | 0.64mm | A | 107.34 | 104.87 | 27.94 | 12.70 | 27.94 | 17.78 |
| TBD | TBD | 34708-4090 | 12 | 0.64mm | A | 20 | 0.64mm | A | 20 | 0.64mm | B | 20 | 0.64mm | C | 122.58 | 120.11 | 17.78 | 27.94 | 27.94 | 27.94 |
| TBD | TBD | 34708-4011 | 16 | 0.64mm | B | 16 | 0.64mm | A | 8 | 0.64mm | A | 10 | HYBRID | A | 107.34 | 104.87 | 22.86 | 22.86 | 12.70 | 27.94 |
| TBD | TBD | 34708-4012 | 8 | 0.64mm | B | 20 | 0.64mm | D | 12 | 0.64mm | A | 12 | 0.64mm | C | 97.18 | 94.71 | 12.70 | 27.94 | 17.78 | 17.78 |
| TBD | 34708-9013 | 34708-4013 | 16 | 0.64mm | A | 20 | 0.64mm | B | 20 | 0.64mm | C | 20 | 0.64mm | D | 127.66 | 125.19 | 22.86 | 27.94 | 27.94 | 27.94 |
| TBD | TBD | 34708-4014 | 8 | 0.64mm | A | 20 | 0.64mm | C | 20 | 0.64mm | B | 10 | HYBRID | A | 117.50 | 115.03 | 12.70 | 27.94 | 27.94 | 27.94 |
| TBD | 34708-9015 | 34708-4015 | 20 | 0.64mm | A | 20 | 0.64mm | B | 20 | 0.64mm | C | 8 | 0.64mm | A | 117.50 | 115.03 | 27.94 | 27.94 | 27.94 | 12.70 |
| TBD | 34708-9016 | 34708-4016 | 20 | 0.64mm | A | 20 | 0.64mm | B | 20 | 0.64mm | C | 12 | 0.64mm | A | 122.58 | 120.11 | 27.94 | 27.94 | 27.94 | 17.78 |
| TBD | TBD | 34708-4017 | 20 | 0.64mm | D | 20 | 0.64mm | A | 20 | 0.64mm | B | 20 | 0.64mm | C | 132.74 | 130.27 | 27.94 | 27.94 | 27.94 | 27.94 |
| TBD | TBD | 34708-4018 | 20 | 0.64mm | C | 20 | 0.64mm | A | 20 | 0.64mm | B | 16 | 0.64mm | A | 127.66 | 125.19 | 27.94 | 27.94 | 27.94 | 22.86 |
| 34708-9519 | TBD | 34708-4019 | 10 | HYBRID | A | 16 | 0.64mm | C | 12 | 0.64mm | B | 20 | 0.64mm | A | 117.50 | 115.03 | 27.94 | 22.86 | 17.78 | 27.94 |
| TBD | TBD | 34708-4020 | 10 | HYBRID | A | 10 | HYBRID | B | 20 | 0.64mm | A | 20 | 0.64mm | B | 132.74 | 130.27 | 27.94 | 27.94 | 27.94 | 27.94 |

| | | | |
|---------|---|-------------------------------|--|
| SYMBOLS | THIS DRAWING CONTAINS INFORMATION THAT IS PROPRIETARY TO MOLEX ELECTRONIC TECHNOLOGIES, LLC AND SHOULD NOT BE USED WITHOUT WRITTEN PERMISSION | | |
| | DIMENSION UNITS | SCALE | CURRENT REV DESC: |
| ▽ = 0 | mm | 1:1 | <p>molex</p> <p>4-BAY STAC64 RIGHT ANGLE HEADER ASSEMBLY SALES DRAWING</p> <p>PRODUCT CUSTOMER DRAWING</p> <p>DOCUMENT NUMBER: SD-34708-400 DOC TYPE: PSD DOC PART: 001 REVISION: P</p> <p>MATERIAL NUMBER: SEE TABLE CUSTOMER: GENERAL MARKET SHEET NUMBER: 2 OF 5</p> |
| ▽ = 0 | GENERAL TOLERANCES (UNLESS SPECIFIED) | | |
| ▽ = 0 | ANGULAR TOL ± 1.0° | | |
| ▽ = 0 | 4 PLACES ± | EC NO: 612618 | |
| ▽ = 0 | 3 PLACES ± | DRWN: SHANDITHAVAL 2019/01/23 | |
| ▽ = 0 | 2 PLACES ± 0.13 | CHK'D: RBAUMAN 2019/02/23 | |
| ▽ = 0 | 1 PLACE ± 0.25 | APPR: RBAUMAN 2019/02/23 | |
| ☒ = 0 | 0 PLACES ± | INITIAL REVISION: | |
| ■ = 0 | DRAFT WHERE APPLICABLE MUST REMAIN WITHIN DIMENSIONS | | |
| ▽ = 0 | THIRD ANGLE PROJECTION | DRAWING | DRWN: VDANIELE 2008/11/14 |
| | | SERIES | APPR: SMARCEAU 2008/11/14 |
| | | D-SIZE | |
| | | 34708 | |

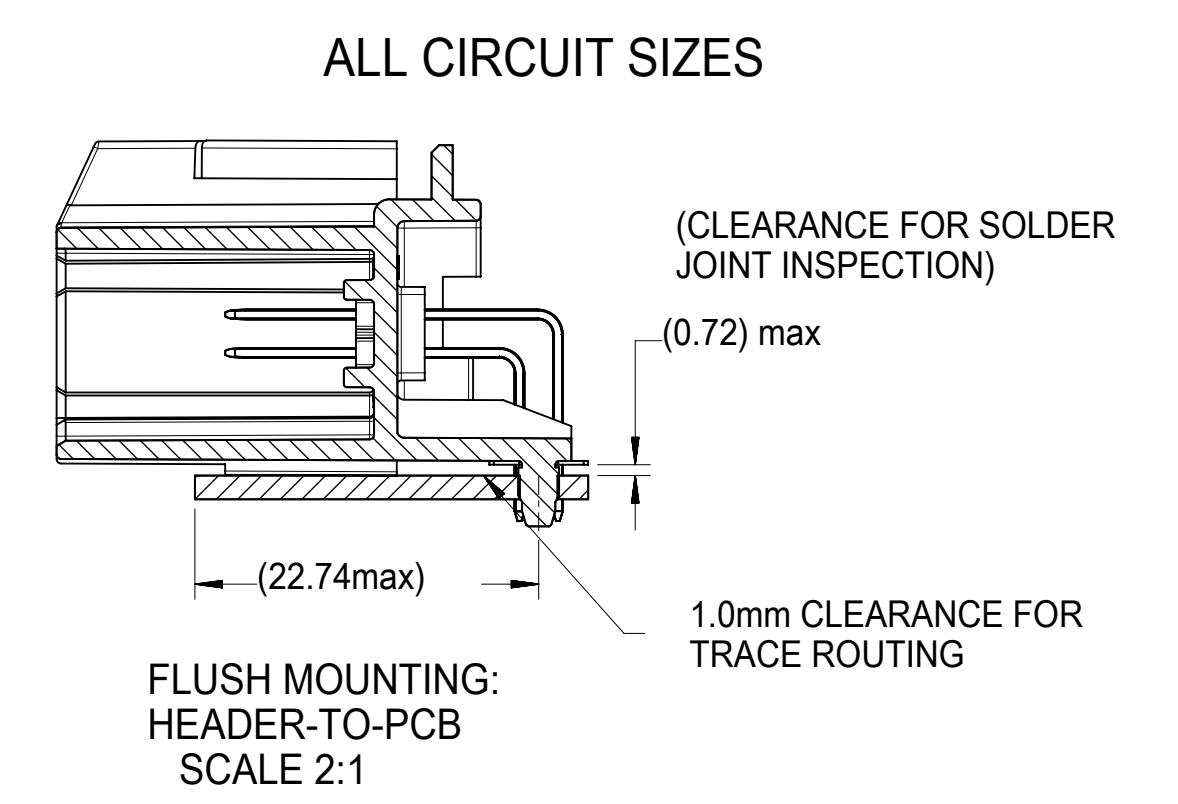


RECOMMENDED PCB LAYOUT
INSERT NECESSARY BAYS USING CHART ON SHEET 2.



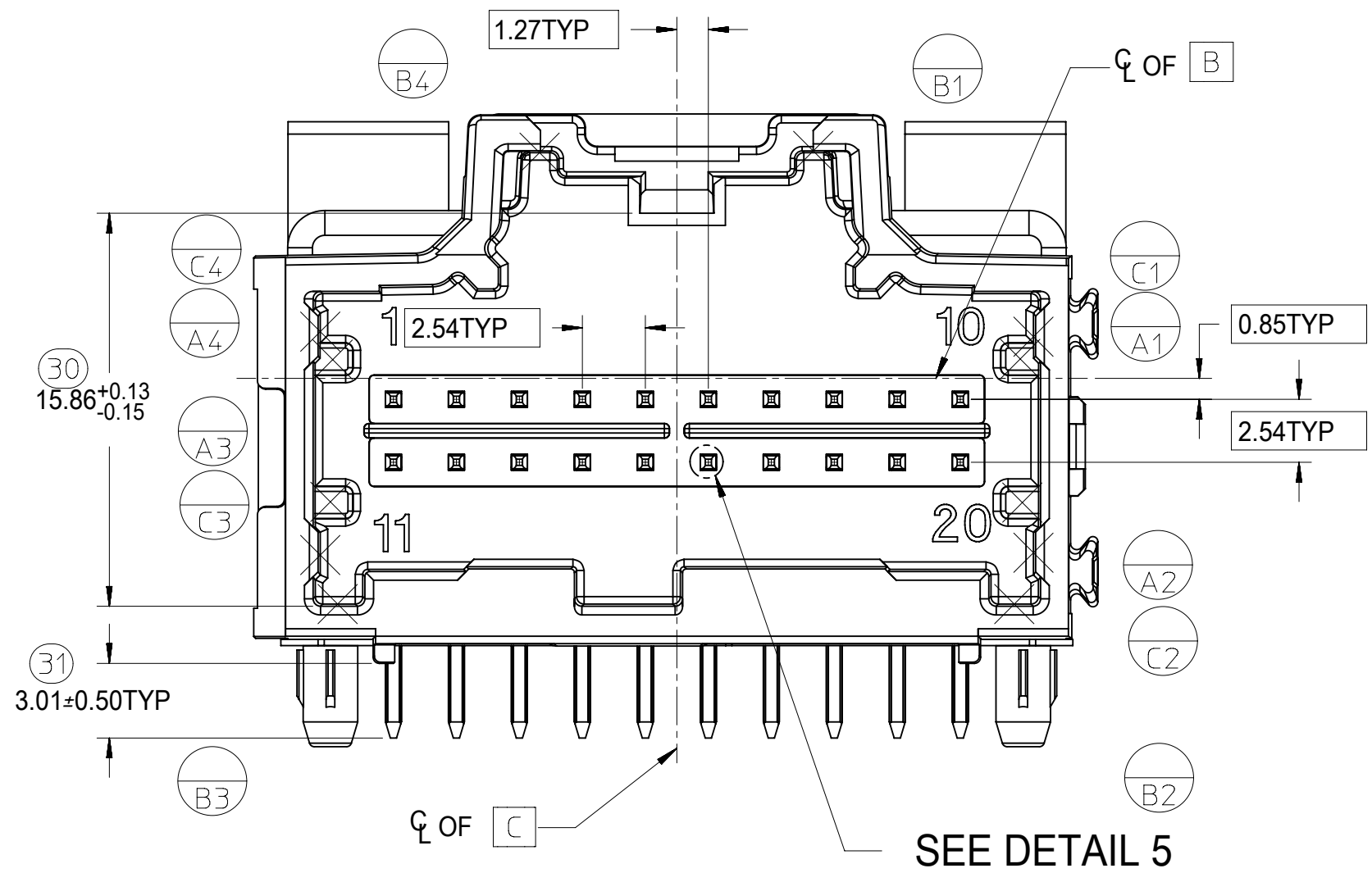
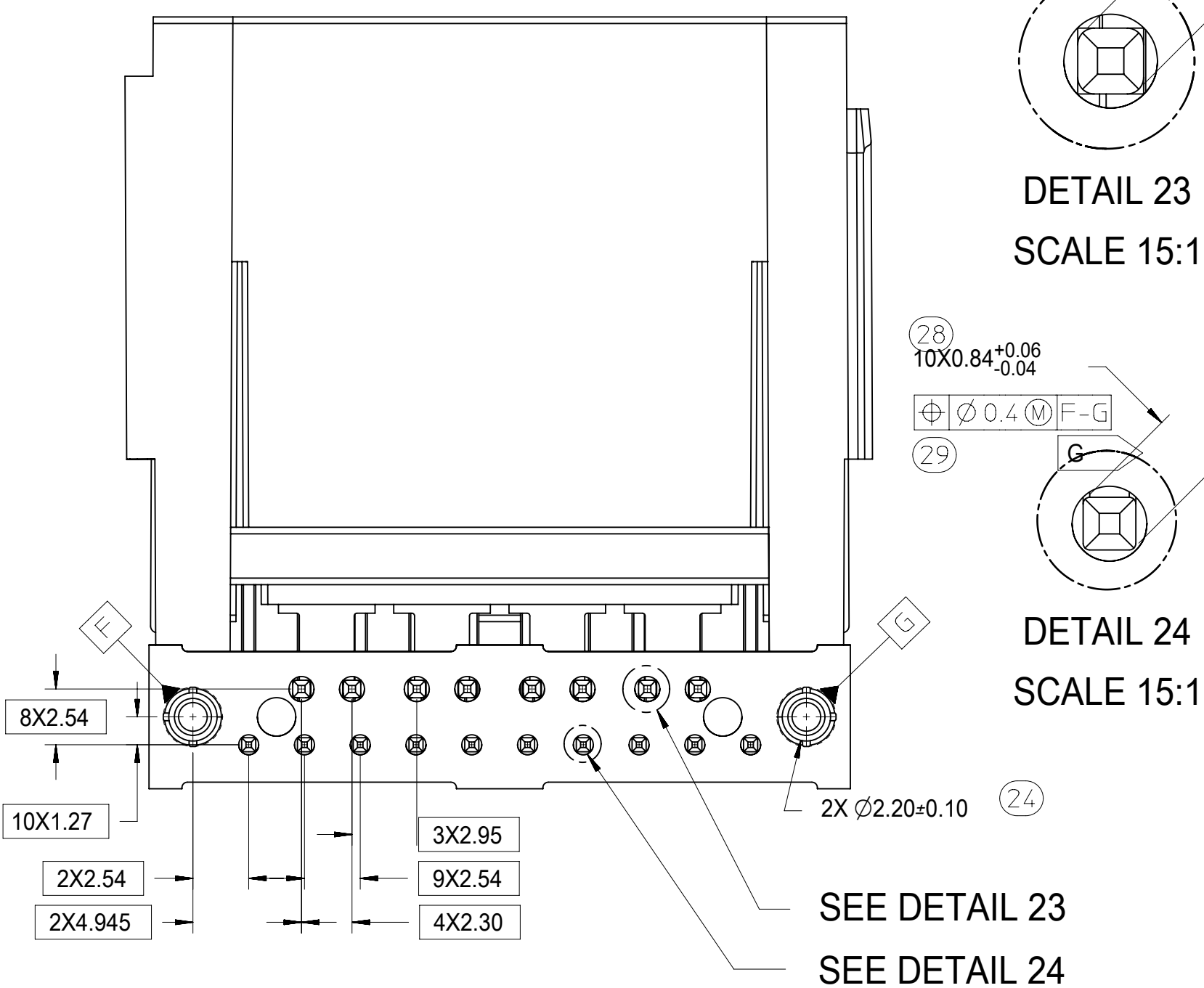
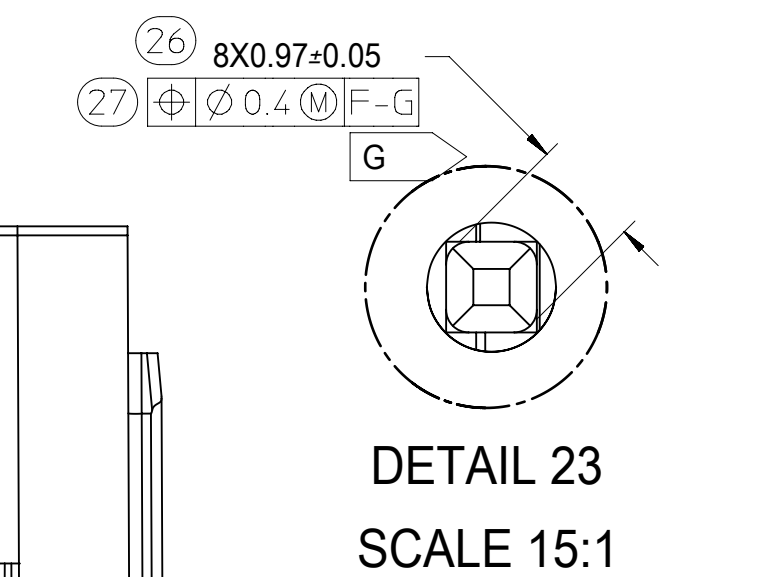
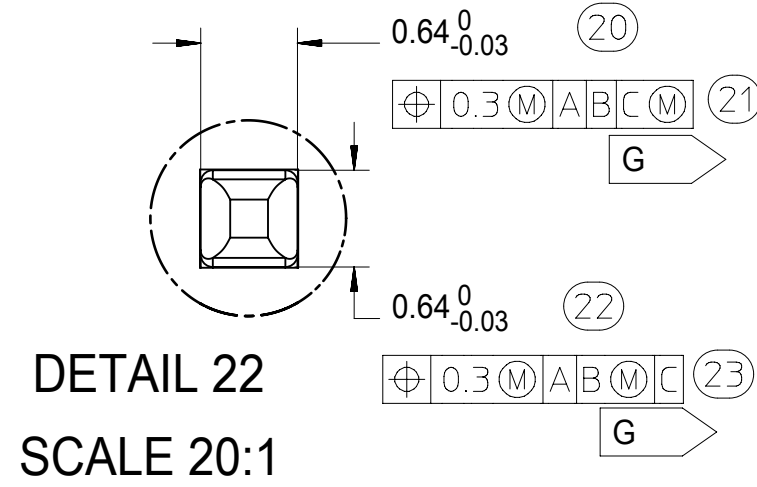
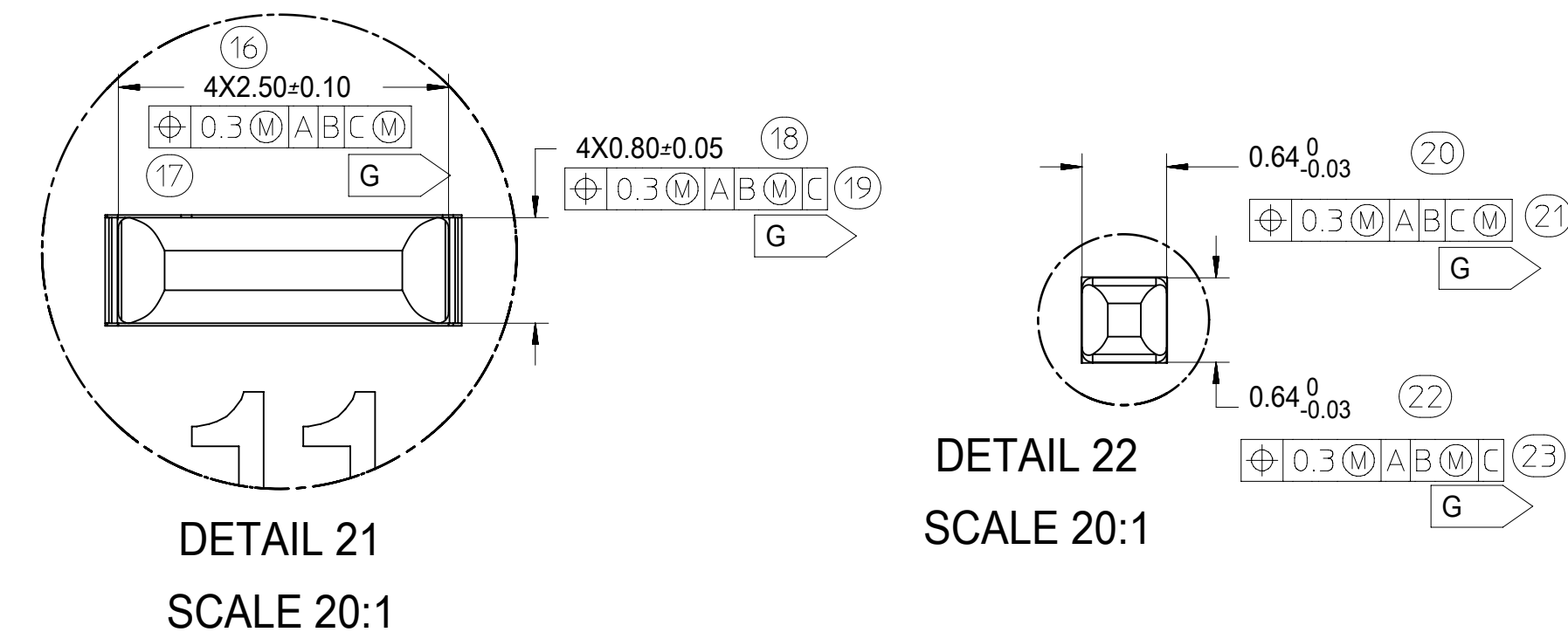
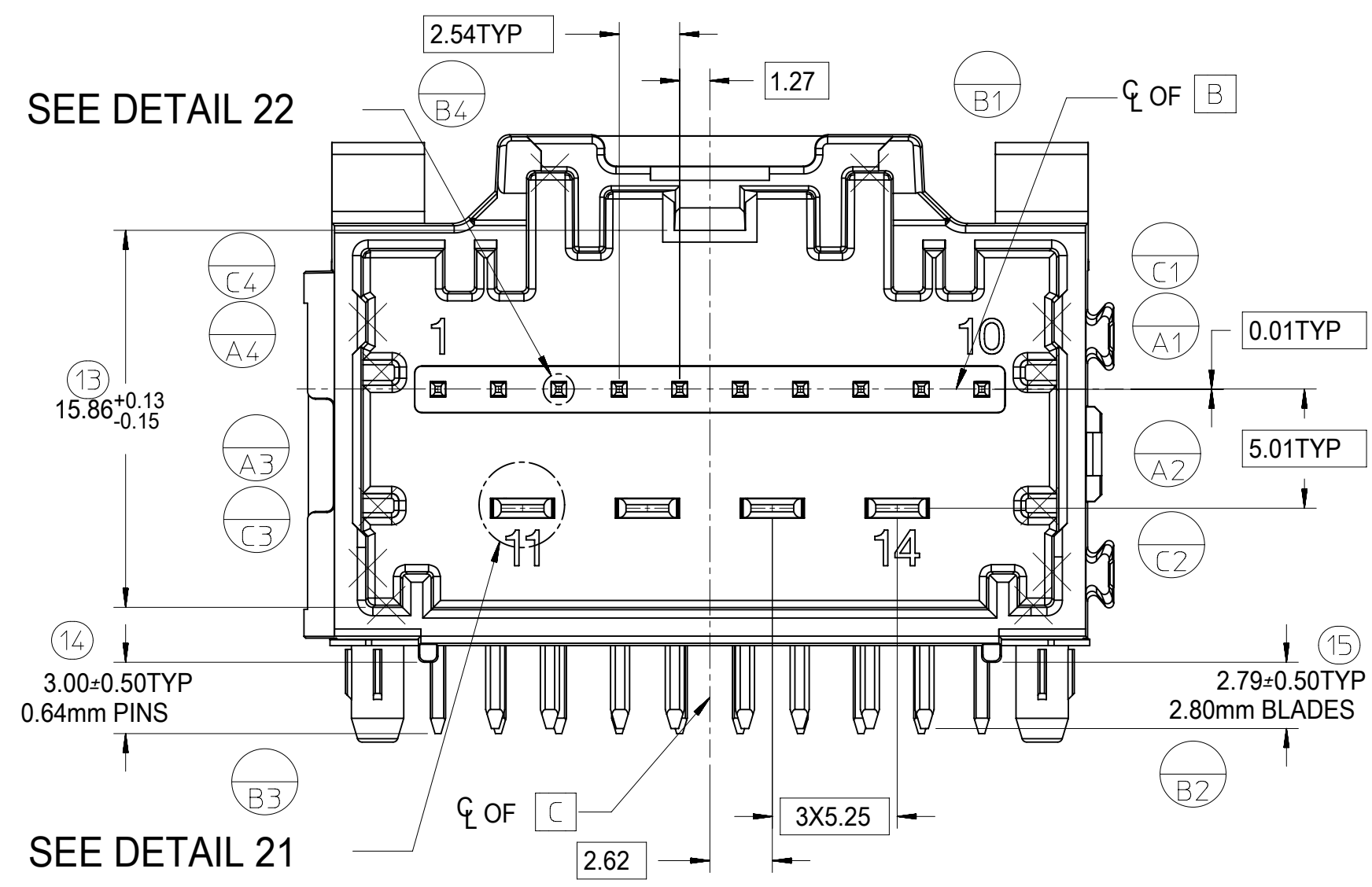
POST HOLE TABLE:
FOR DIM E:

| | |
|------------|------|
| PRESS FIT: | 2.60 |
| DROP IN: | 3.05 |

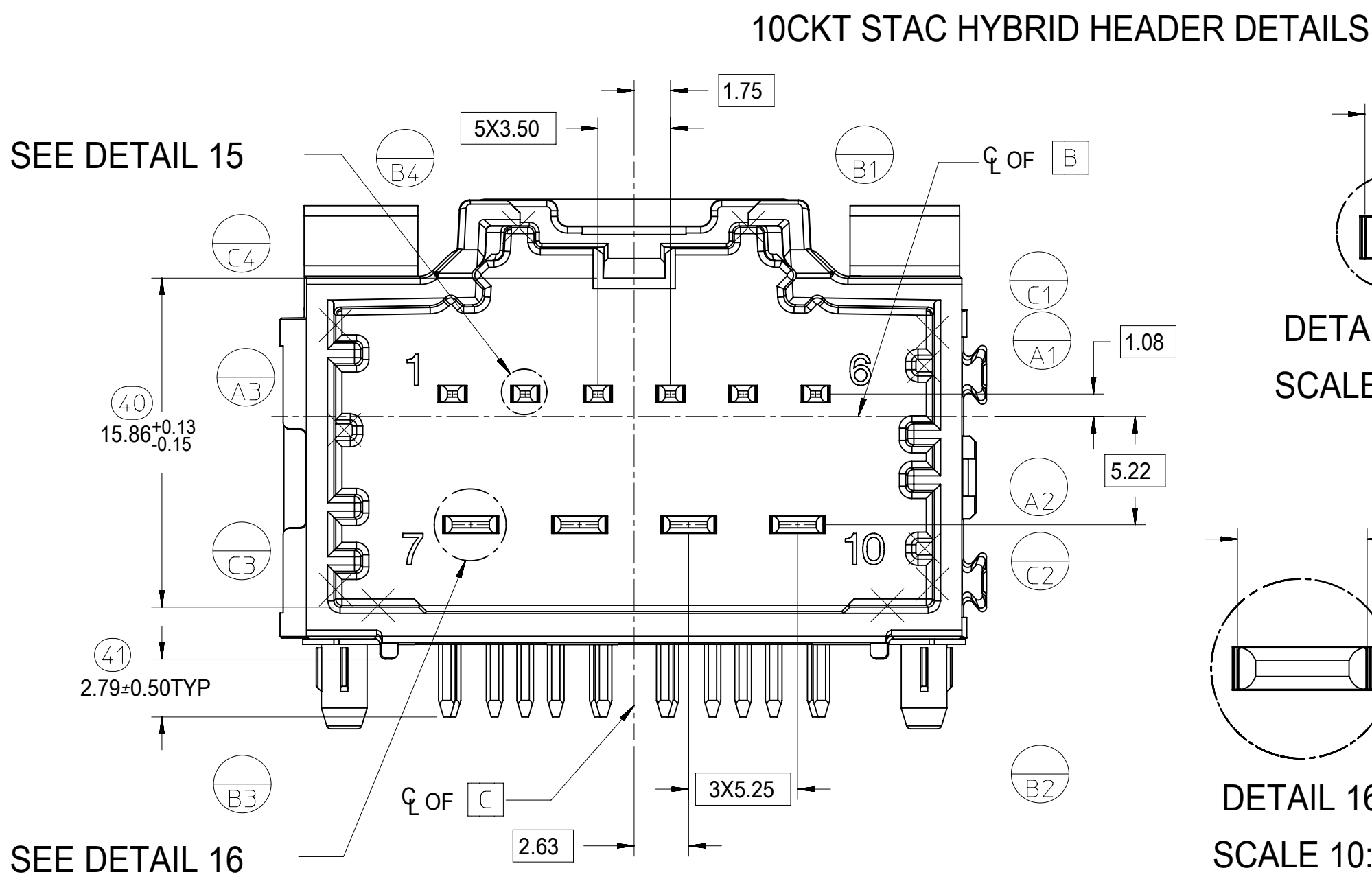
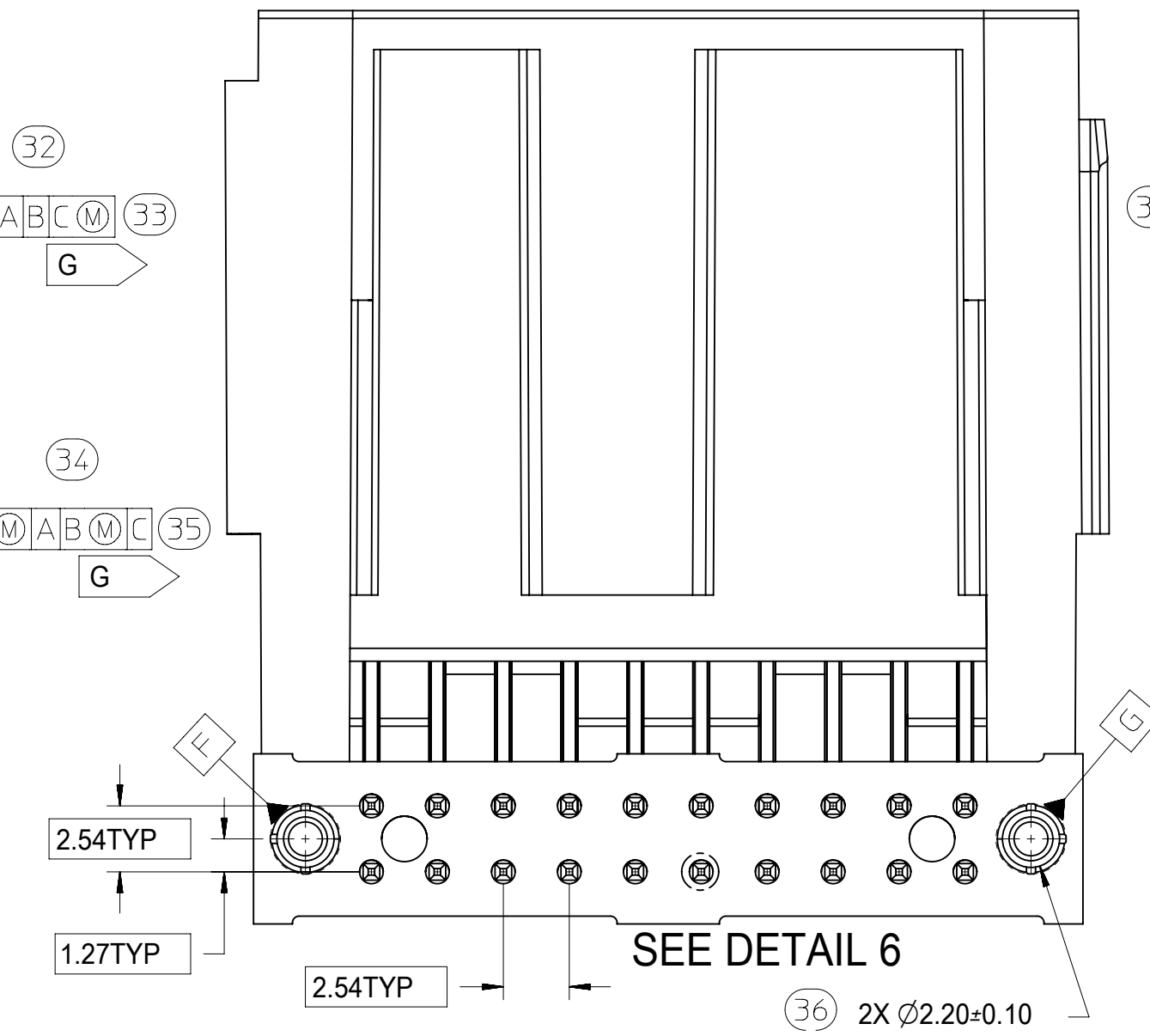
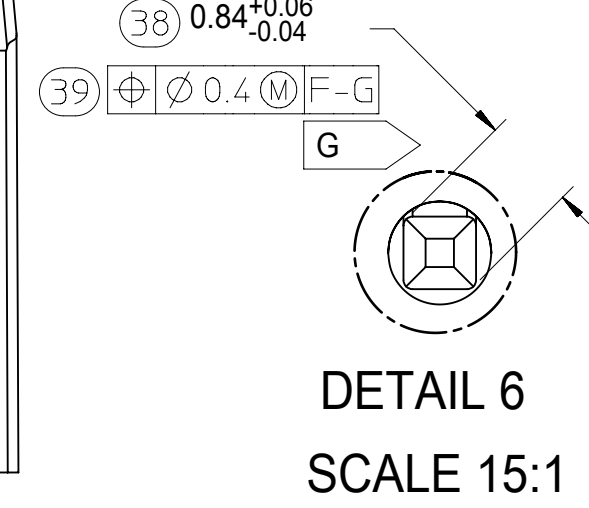
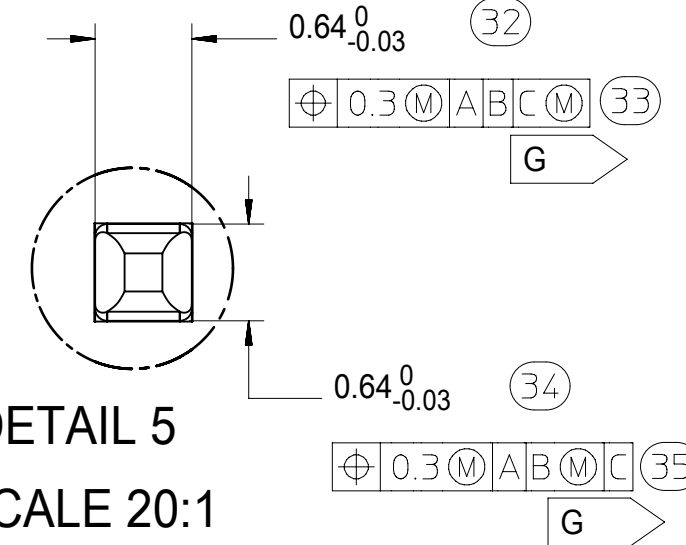


FOR HOLE LOCATION REFER TO TEMPLATES ON SHEET 5

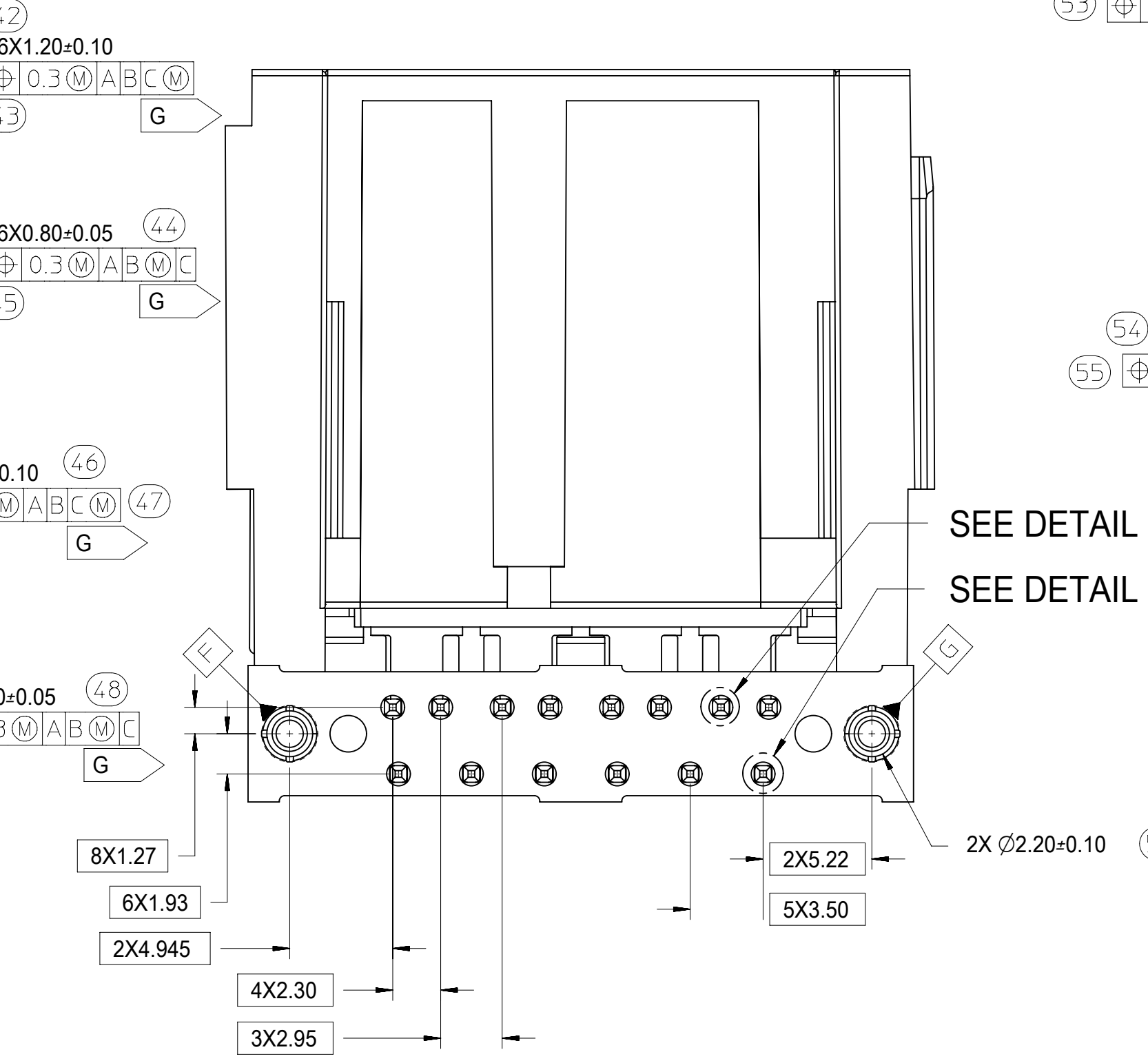
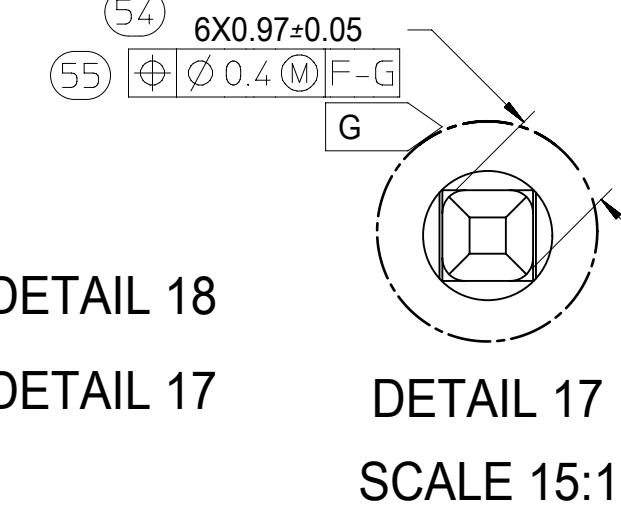
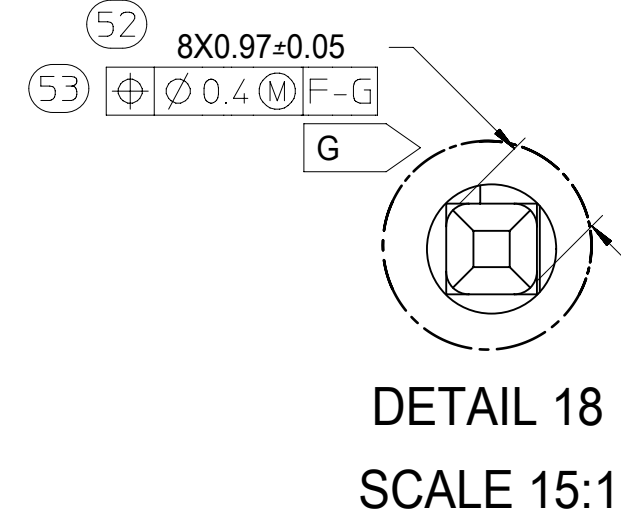
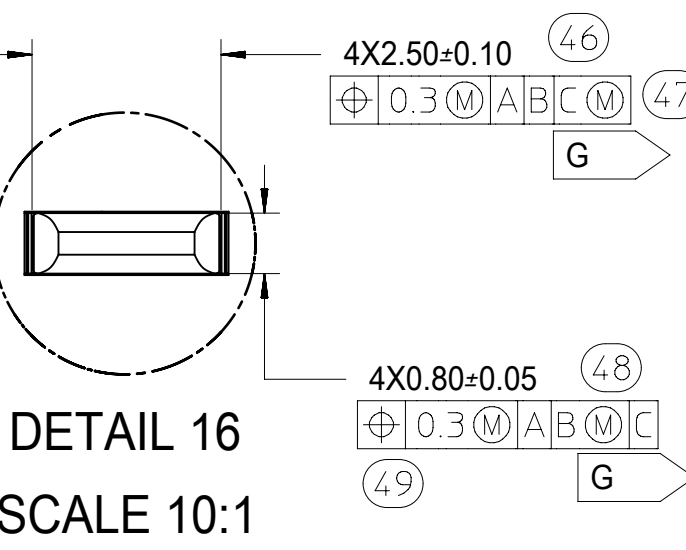
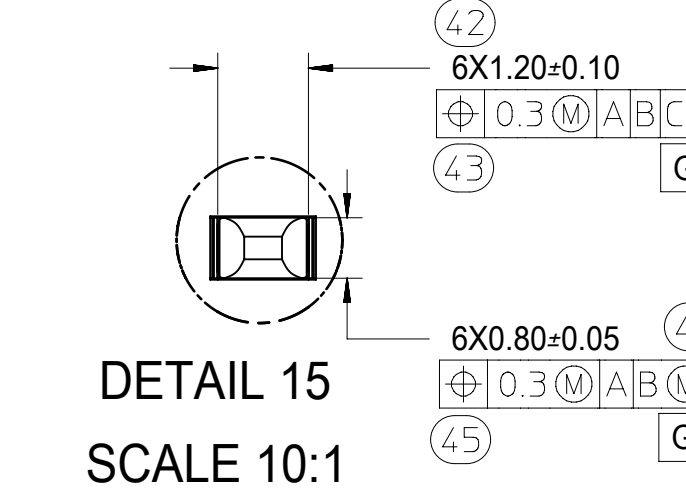
| | | | | | | | | |
|---------|---|-------|--|-------------------------|--------------------------|----------------|--------------|---------------|
| SYMBOLS | THIS DRAWING CONTAINS INFORMATION THAT IS PROPRIETARY TO MOLEX ELECTRONIC TECHNOLOGIES, LLC AND SHOULD NOT BE USED WITHOUT WRITTEN PERMISSION | | CURRENT REV DESC: | | | | | |
| | DIMENSION UNITS | SCALE | | | | | | EC NO: 612618 |
| ▽ = 0 | mm | 1:1 | DRWN: RBAUMAN 2019/02/23 | APP: RBAUMAN 2019/02/23 | PRODUCT CUSTOMER DRAWING | | | |
| ▽ = 0 | GENERAL TOLERANCES (UNLESS SPECIFIED) | | INITIAL REVISION: | | DOCUMENT NUMBER | DOC TYPE | DOC PART | REVISION |
| ▽ = 0 | ANGULAR TOL ± 1.0° | | DRWN: VDANIELE 2008/11/14 | | SD-34708-400 | PSD | 001 | P |
| ▽ = 0 | 4 PLACES ± | | APP: SMARCEAU 2008/11/14 | | MATERIAL NUMBER | CUSTOMER | SHEET NUMBER | |
| ▽ = 0 | 3 PLACES ± | | DRAFT WHERE APPLICABLE MUST REMAIN WITHIN DIMENSIONS | | SEE TABLE | GENERAL MARKET | 3 OF 5 | |
| ▽ = 0 | 2 PLACES ± 0.13 | | THIRD ANGLE PROJECTION | | D-SIZE 34708 | | | |
| ▽ = 0 | 1 PLACE ± 0.25 | | DRAWING | | | | | |
| ▽ = 0 | 0 PLACES ± | | SERIES | | | | | |



DETAIL 5
SCALE 20:1

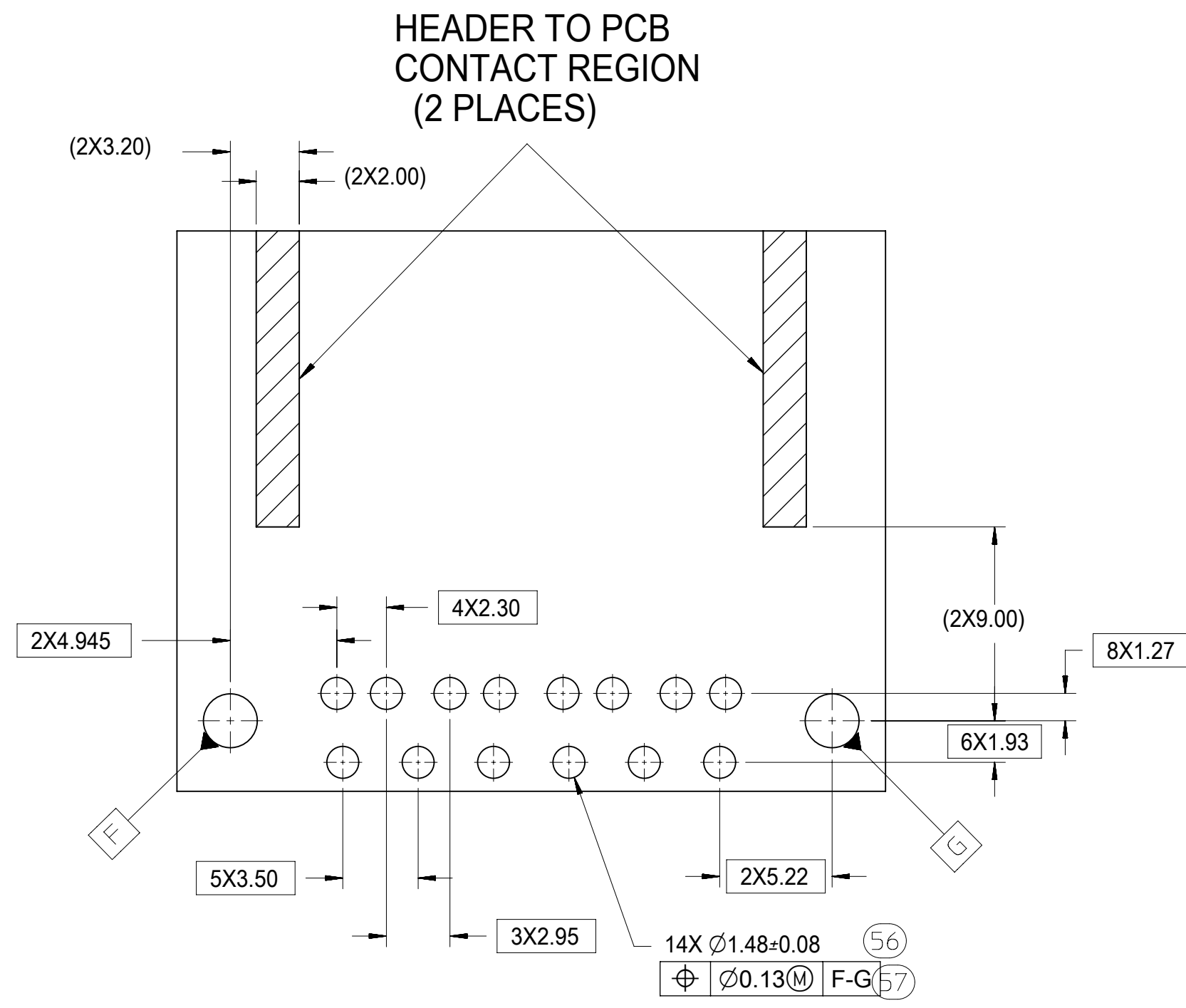


DETAIL 15
SCALE 10:1

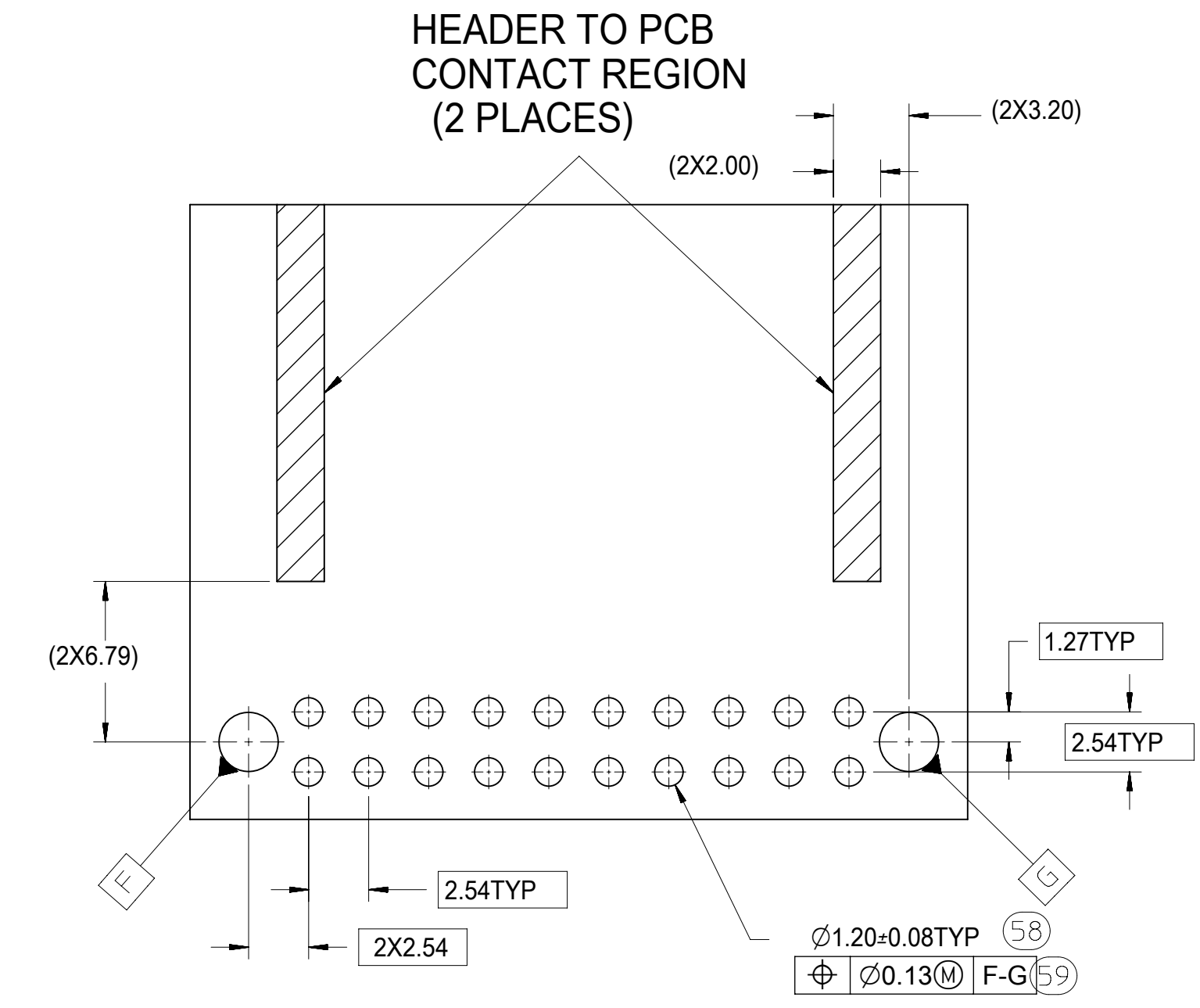


| | | | | |
|--------------------|---|------------|-------------------|--------------------------|
| SYMBOLS | THIS DRAWING CONTAINS INFORMATION THAT IS PROPRIETARY TO MOLEX ELECTRONIC TECHNOLOGIES, LLC AND SHOULD NOT BE USED WITHOUT WRITTEN PERMISSION | | CURRENT REV DESC: | |
| | DIMENSION UNITS | SCALE | | |
| ▽ = 0 | mm | 1:1 | | |
| ▽ = 0 | GENERAL TOLERANCES (UNLESS SPECIFIED) | | | |
| ▽ = 0 | ANGULAR TOL ± 1.0° | | | |
| ▽ = 0 | 4 PLACES ± | | | |
| ▽ = 0 | 3 PLACES ± | | | |
| ▽ = 0 | 2 PLACES ± 0.13 | | | |
| ▽ = 0 | 1 PLACE ± 0.25 | | | |
| ▽ = 0 | 0 PLACES ± | | | |
| ■ = 0 | DRAFT WHERE APPLICABLE MUST REMAIN WITHIN DIMENSIONS | | | |
| ▽ = 0 | THIRD ANGLE PROJECTION | DRAWING | SERIES | |
| | | D-SIZE | 34708 | |
| EC NO: 612618 | | 2019/01/23 | | |
| DRWN: SHANDITHAVAL | | 2019/02/23 | | |
| CHK'D: RBAUMAN | | 2019/02/23 | | |
| APPR: RBAUMAN | | 2019/02/23 | | PRODUCT CUSTOMER DRAWING |
| INITIAL REVISION: | | | | DOCUMENT NUMBER |
| DRWN: VDANIELE | | 2008/11/14 | | SD-34708-400 |
| APPR: SMARCEAU | | 2008/11/14 | | DOC TYPE |
| | | | | PSD |
| | | | | DOC PART |
| | | | | 001 |
| | | | | REVISION |
| | | | | P |
| | | | | MATERIAL NUMBER |
| | | | | SEE TABLE |
| | | | | CUSTOMER |
| | | | | GENERAL MARKET |
| | | | | SHEET NUMBER |
| | | | | 4 OF 5 |

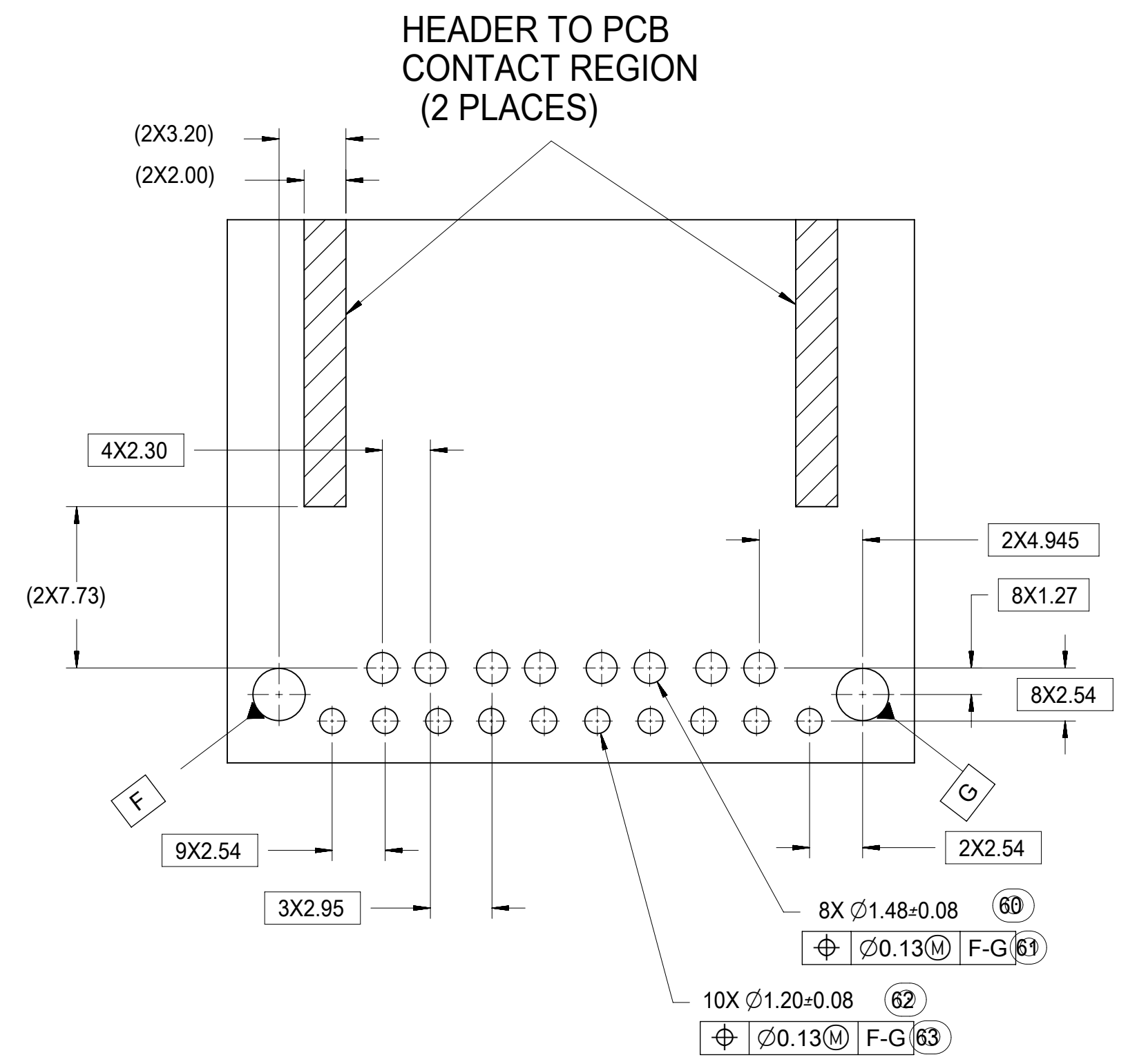
10 CKT HYBRID TEMPLATE PCB LAYOUT



8-20CKT 0.64mm TEMPLATE PCB LAYOUT

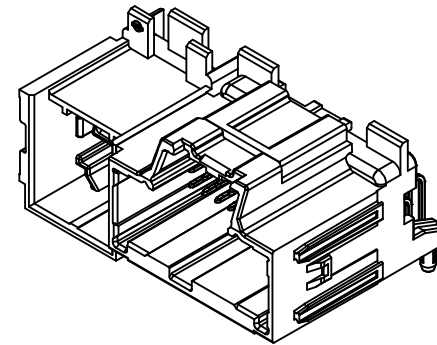
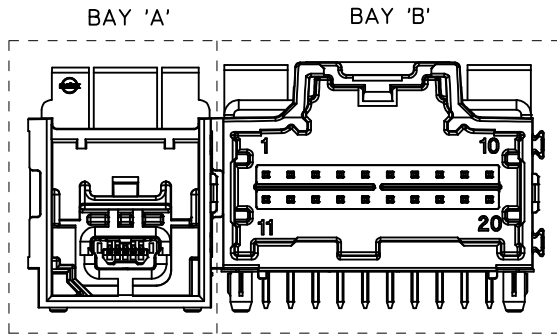


14 CKT HYBRID TEMPLATE PCB LAYOUT



| | | | |
|---------|---|------------------------|---|
| SYMBOLS | THIS DRAWING CONTAINS INFORMATION THAT IS PROPRIETARY TO MOLEX ELECTRONIC TECHNOLOGIES, LLC AND SHOULD NOT BE USED WITHOUT WRITTEN PERMISSION | | |
| | DIMENSION UNITS | SCALE | CURRENT REV DESC: |
| ▽ = 0 | mm | 1:1 | molex 4-BAY STAC64 RIGHT ANGLE HEADER ASSEMBLY SALES DRAWING PRODUCT CUSTOMER DRAWING DOCUMENT NUMBER: SD-34708-400 DOC TYPE: PSD DOC PART: 001 REVISION: P MATERIAL NUMBER: SEE TABLE CUSTOMER: GENERAL MARKET SHEET NUMBER: 5 OF 5 |
| ▽ = 0 | GENERAL TOLERANCES (UNLESS SPECIFIED) | | |
| ▽ = 0 | ANGULAR TOL ± 1.0° | | |
| ▽ = 0 | 4 PLACES ± | | |
| ▽ = 0 | 3 PLACES ± | | |
| ▽ = 0 | 2 PLACES ± 0.13 | | |
| ▽ = 0 | 1 PLACE ± 0.25 | | |
| ▽ = 0 | 0 PLACES ± | | |
| ■ = 0 | DRAFT WHERE APPLICABLE MUST REMAIN WITHIN DIMENSIONS | THIRD ANGLE PROJECTION | EC NO: 612618 DRWN: SHANDITHAVAL 2019/01/23 CHK'D: RBAUMAN 2019/02/23 APPR: RBAUMAN 2019/02/23 INITIAL REVISION: DRWN: VDANIELE 2008/11/14 APPR: SMARCEAU 2008/11/14 |
| ▽ = 0 | | D-DRAWING | SERIES: D-SIZE 34708 MATERIAL NUMBER: SEE TABLE CUSTOMER: GENERAL MARKET SHEET NUMBER: 5 OF 5 |

2 BAY HS STAC RIGHT ANGLE HEADER ASSEMBLY (P/N: 34787-2000 SHOWN)



NOTES: VALID UNLESS OTHERWISE SPECIFIED
1. GENERAL:

a. CONNECTOR HEADER MUST BE VALIDATED TO THE FOLLOWING FUNCTIONAL REQUIREMENTS:

PRODUCT SPECIFICATION:
8-20 CKT 0.64 PRODUCT SPEC: PS-31408-100
10 CKT HYBRID PRODUCT SPEC: PS-31372-100
HS STAC PRODUCT SPEC: TBD

b. APPLICATION REQUIREMENTS (REFERENCE ONLY):

APPLICATION SPECIFICATION: TBD

c. PACKAGING SPECIFICATION PER MOLEX DRAWING TBD

2. DESIGN: MATERIALS:

a. SHROUD (PLASTIC HOUSING):
RESIN - SPS 30%GF

b. HS STAC PINS:
0.35mm PINS
BASE MATERIAL: C70250
PLATING TYPE: AS NOTED

0.64mm PINS:
BASE MATERIAL: C26000
PLATING TYPE: AS NOTED

150mm BLADES:
BASE MATERIAL: C19400
PLATING TYPE: AS NOTED

2.80mm BLADES:
BASE MATERIAL: C19400
PLATING TYPE: AS NOTED

3. PLATING REQUIREMENTS:

a. UNDERPLATING - OVERALL NICKEL

b. OVERPLATING - OVERALL TIN

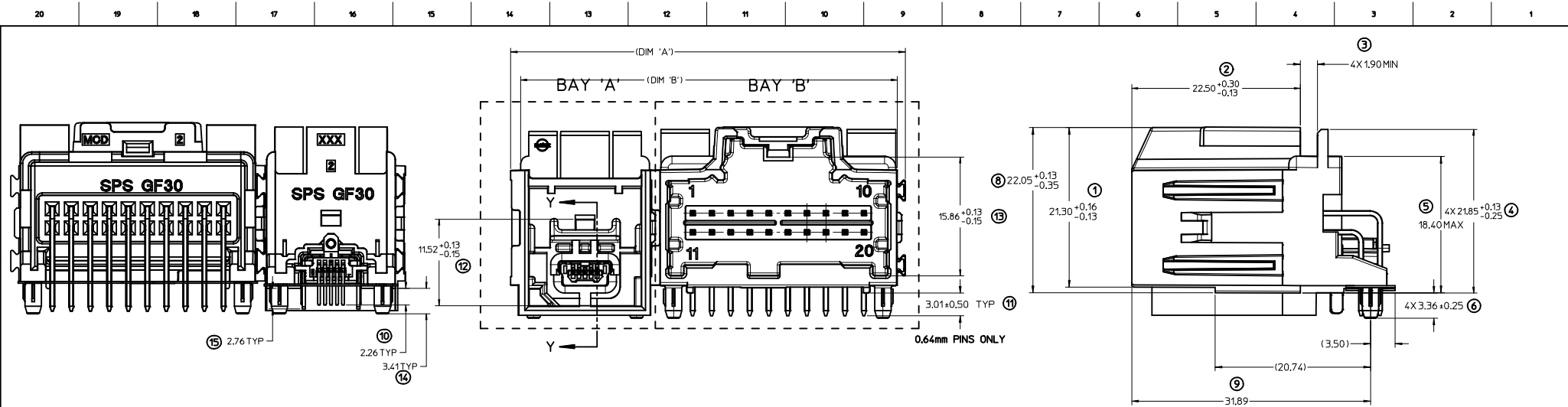
4. FOR DESCRIPTION OF INDIVIDUAL BAYS, REFER TO THE FOLLOWING

SINGLE BAY DRAWINGS:
8-20 CKT 0.64: SD-34691-100
10 CKT HYBRID: SD-34696-100
HS STAC: SD-34786-100

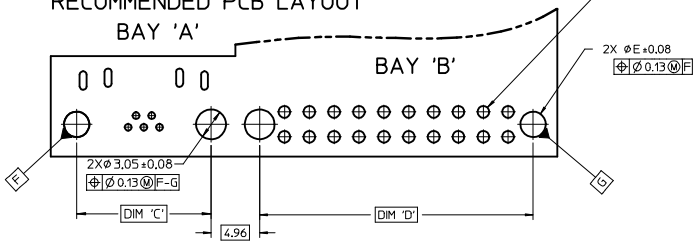
DIMENSIONAL CHART FOR MULTIBAY CONFIGURATION:

| 2 BAY PART NUMBER | BAY A | | | BAY B | | | DIM 'A' | DIM 'B' | DIM 'C' | DIM 'D' |
|-------------------|-------|--------|-----|-------|--------|-----|---------|---------|---------|---------|
| | CKT | TYPE | POL | CKT | TYPE | POL | | | | |
| 34787-2000 | - | HS | A | 20 | 0.64mm | A | 52.73 | 50.27 | 13.73 | 27.94 |
| 34787-2010 | - | HS | A | - | HS | E | 38.52 | 36.06 | 13.73 | 13.73 |
| 34787-2020 | 12 | 0.64mm | A | - | HS | A | 42.57 | 40.11 | 13.73 | 17.78 |
| | | | | | | | | | | |
| | | | | | | | | | | |
| | | | | | | | | | | |
| | | | | | | | | | | |
| | | | | | | | | | | |
| | | | | | | | | | | |
| | | | | | | | | | | |
| | | | | | | | | | | |
| | | | | | | | | | | |
| | | | | | | | | | | |
| | | | | | | | | | | |
| | | | | | | | | | | |
| | | | | | | | | | | |
| | | | | | | | | | | |
| | | | | | | | | | | |
| | | | | | | | | | | |
| | | | | | | | | | | |

| | | | | | | |
|--|---|--|--|--|--|--|
| REVISED EC NO: UAU2012-1387 DRAWN: DANIELE CHKD: APPR: SMARCEAU 2012/05/10 2012/05/11 | QUALITY SYMBOLS ▽=0 ▽=0 | GENERAL TOLERANCES (UNLESS SPECIFIED): mm INCH 4 PLACES ±--- ±--- 3 PLACES ±--- ±--- 2 PLACES ±0.13 ±--- 1 PLACE ±0.25 ±--- ANGULAR ± 1° | DIMENSION STYLE MM ONLY DRAWN BY: DANIELE DATE: 2010/06/24 CHECKED BY: JDUNA J DATE: 2010/06/29 APPROVED BY: SMARCEAU DATE: 2010/07/08 | SCALE: 4:1 DESIGN UNITS: METRIC THIRD ANGLE PROJECTION | TITLE: 2-BAY HSSTAC RIGHT ANGLE HEADER ASSEMBLY SALES DRAWING | |
| | MATERIAL NO.: SEE CHART DOCUMENT NO.: SD-34787-200 | SHEET NO.: 1 OF 2 | MOLEX INCORPORATED | | | |
| | DRAFT WHERE APPLICABLE MUST REMAIN WITHIN DIMENSIONS THIS DRAWING CONTAINS INFORMATION THAT IS PROPRIETARY TO MOLEX INCORPORATED AND SHOULD NOT BE USED WITHOUT WRITTEN PERMISSION | | | | | |



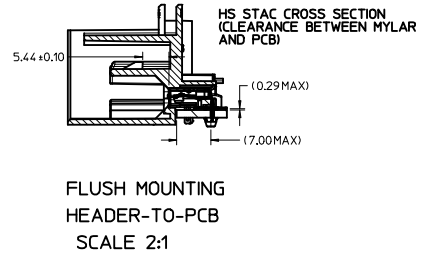
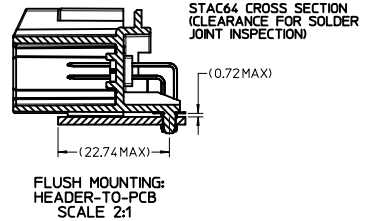
INSERT NECESSARY BAYS USING CHART ON SHEET 1.
RECOMMENDED PCB LAYOUT



FOR HOLE LOCATION REFER TO TEMPLATE BELOW

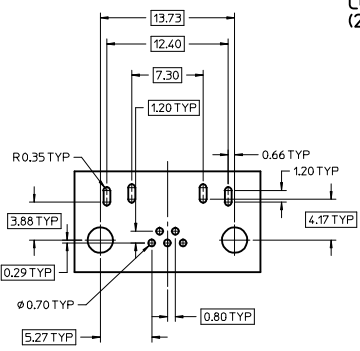
POST HOLE TABLE:

| | |
|------------|------|
| FOR DIM E: | |
| PRESS FIT: | 2.60 |
| DROP IN: | 3.05 |

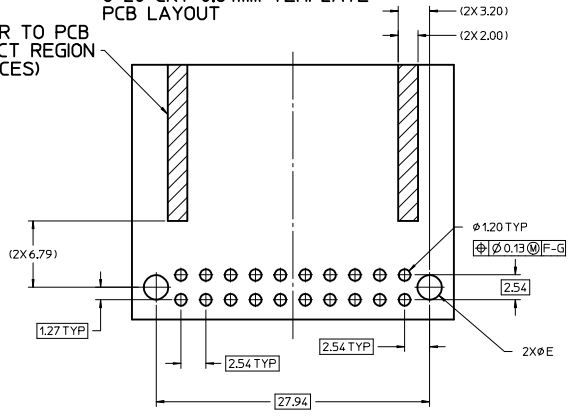


* RECOMMENDED FOR PIN THROUGH PASTE REFLOW PROCESSING *

HS STAC TEMPLATE PCB LAYOUT



8-20 CKT 0.64mm TEMPLATE PCB LAYOUT



| | | | | | | | | | |
|--|--------------------------|---|---------------------------------------|-------------|-----------------|------------|---------------------------|--|------------------------|
| REVISED EC NO. UAU2012-1387 DRAWN/DANIELE 2010/05/10 CHKD: APPR:SMARCEAU 2012/05/11 DESCRIPTION | QUALITY SYMBOLS | | GENERAL TOLERANCES (UNLESS SPECIFIED) | | DIMENSION STYLE | | SCALE | DESIGN UNITS | THIRD ANGLE PROJECTION |
| | $\nabla=0$ $\nabla=0$ | | mm | INCH | MM ONLY | | 4:1 | METRIC | |
| | 4 PLACES | ± | --- | --- | --- | DRAWN BY | DATE | TITLE | |
| | 3 PLACES | ± | --- | --- | --- | DANIELE | 2010/06/24 | 2-BAY HSSTAC RIGHT ANGLE HEADER ASSEMBLY SALES DRAWING | |
| 2 PLACES | ± | 0.13 | --- | --- | CHECKED BY | DATE | MOLEX INCORPORATED | | |
| 1 PLACE | ± | 0.25 | --- | --- | JUNAJ | 2010/06/29 | MATERIAL NO. SD-34787-200 | | |
| ANGULAR ± 1° | | DRAFT WHERE APPLICABLE MUST REMAIN WITHIN DIMENSIONS | | APPROVED BY | | DATE | DOCUMENT NO. SD-34787-200 | | |
| SEE CHART | | THIS DRAWING CONTAINS INFORMATION THAT IS PROPRIETARY TO MOLEX INCORPORATED AND SHOULD NOT BE USED WITHOUT WRITTEN PERMISSION | | SMARCEAU | | 2010/07/08 | SHEET NO. 2 OF 2 | | |