

**Type PMA-KB-03-Q2S (formerly PKA-02)**  
**Panel Mount Fuse Holder**  
**1/4" x 1 1/4" (6.3 x 32mm) Fuses**  
**Knob / Bayonet**



www.optifuse.com

(619) 593-5050

**Electrical Rating:** 10A, 250V AC

**Fuse Style:** 1/4" x 1 1/4" (6.3 x 32mm)

**Material:**

**Frame and Cap:** Phenolic (UL flame: 94V-1)

**Terminals:** Nickel-plated brass

**Cap:** Knob type, Bayonet type

**Max. Operating Temperature:** 150°C

**Mounting:** by nut

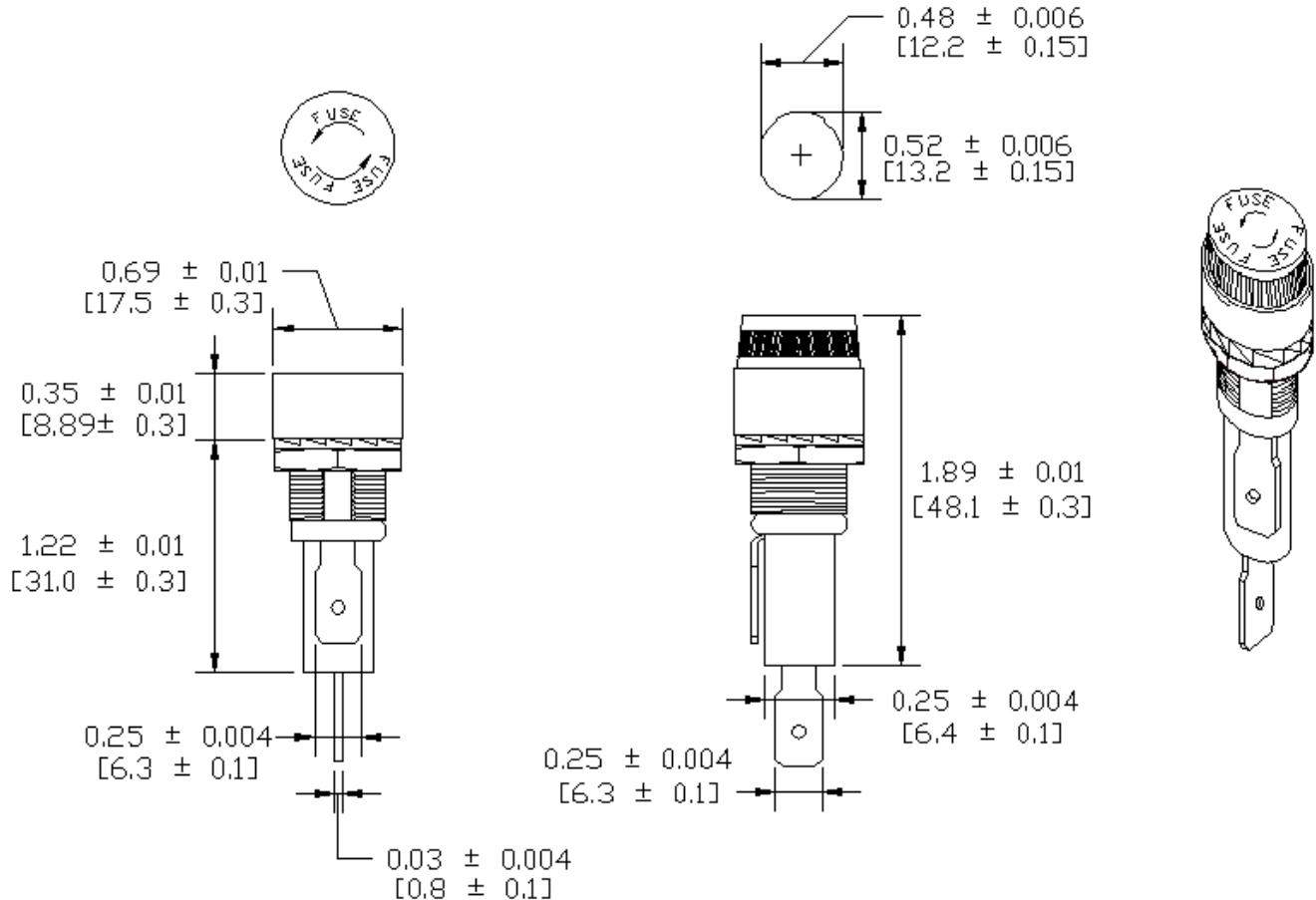
**Terminal:** Solder/Quick-Connect 6.4mm / 0.250"

**Panel Thickness:** 0.5 ~ 6.5mm

**Agency Standards and Listings:**



**Product Dimensions: Inches [mm]**



**Warning:**



- Operation beyond the specified maximum ratings or improper use may result in damage and possible electrical arcing and/or flame.
- Fuse Holders are not intended for circuit disconnect. All power should be disconnected before removing fuse.
- Avoid contact of Fuse Holder with chemical solvent. Prolonged contact will damage the device performance.