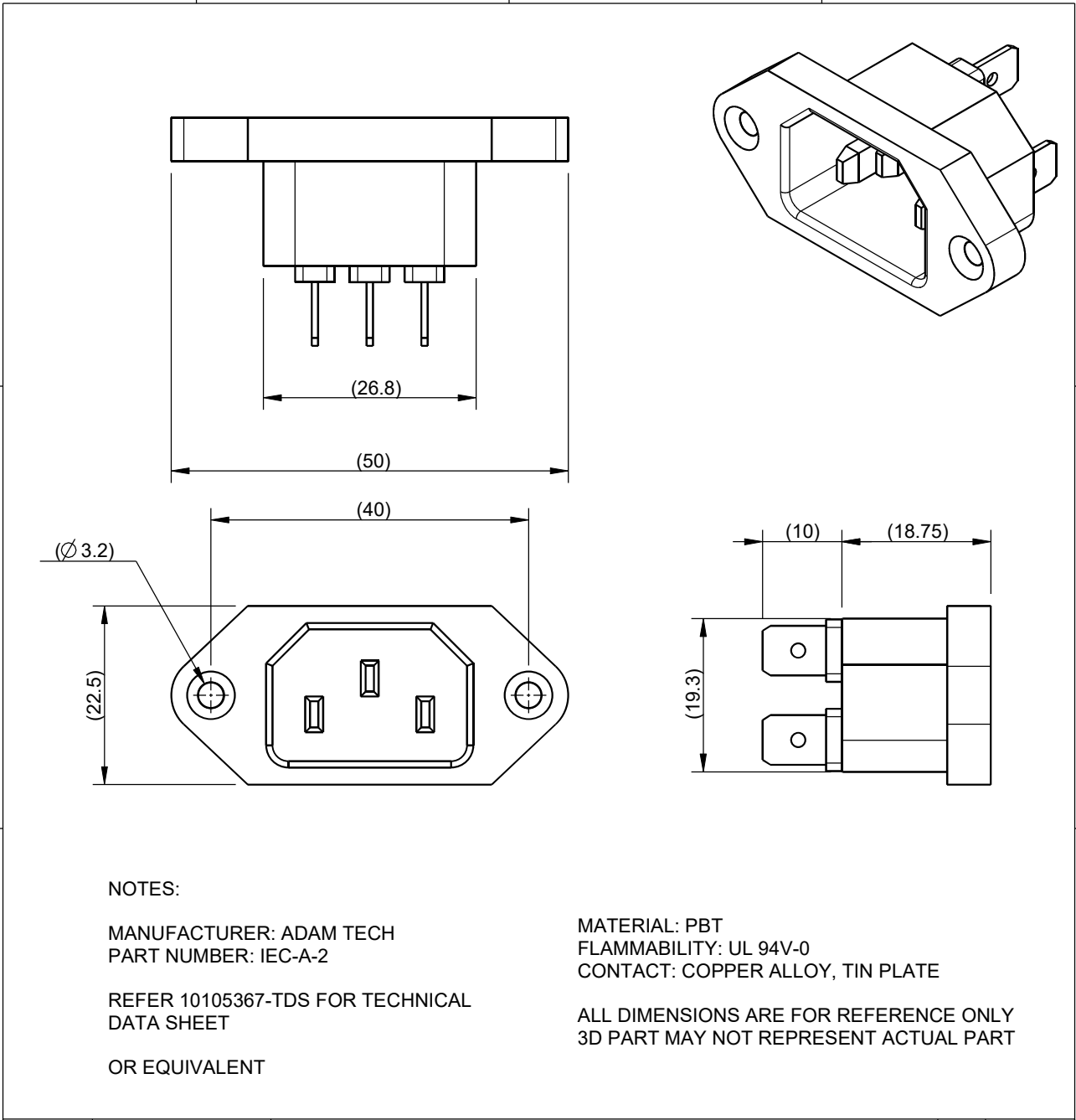


This document is Markem-Imaje's property and cannot be communicated without written authorization



Approved:	N/A	CRCO-26134		
Verifier:	T_PERRY			
Author:	B_MORETTI			
Date:	10.JAN.2022	Modification description:	Rev.	CR/CO

<b>FIRST ANGLE PROJECTION</b> 		Status: <b>Under Review</b>	Designer: <b>V_MENON</b>
		CR/CO: <b>CRCO-26134</b>	Creation date: <b>09.DEC.2020</b>
		-RoHS Compliant with 2011/65/EU & 2015/863 directives. - REACH Compliant with 1907/2006 directive - All parts and final product must be UL compliance (REF. 322-TES)	

General tolerances:	----	Description:	<b>AC MAIN</b>		
Surface roughness:	----	Treatment:	--		
Surface finish:	----	Material:	--		
Scale: <b>4/3</b>	Format: <b>A4</b>	Units: <b>mm</b>	Mass: <b>15 g</b>	Drawing No. <b>10105367</b>	Rev. <b>AB</b>
		Sheet: <b>1 / 1</b>			

This Drawing 10105367-AB.3 FALSE uses Model 10105367-AB.3 FALSE