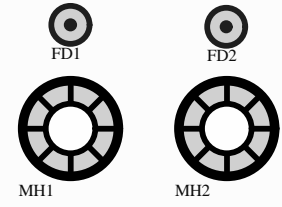
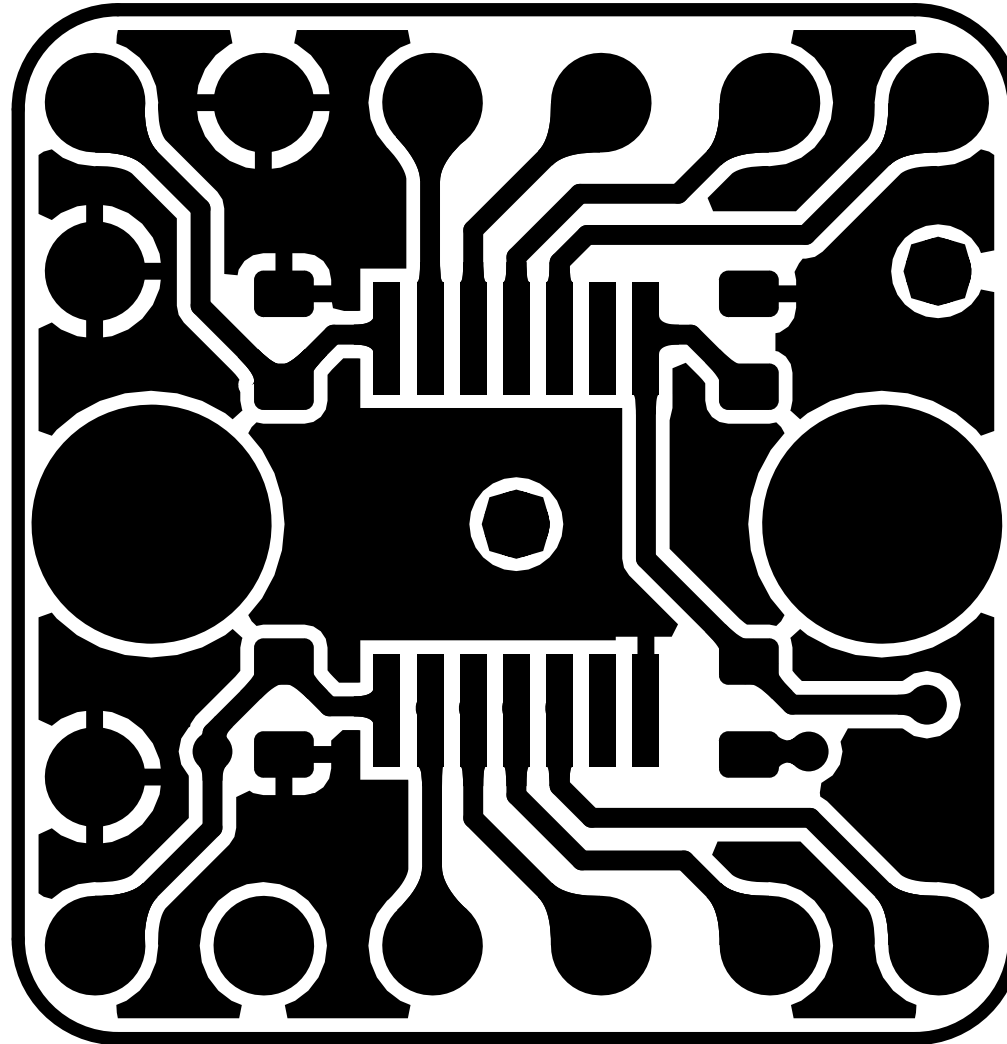


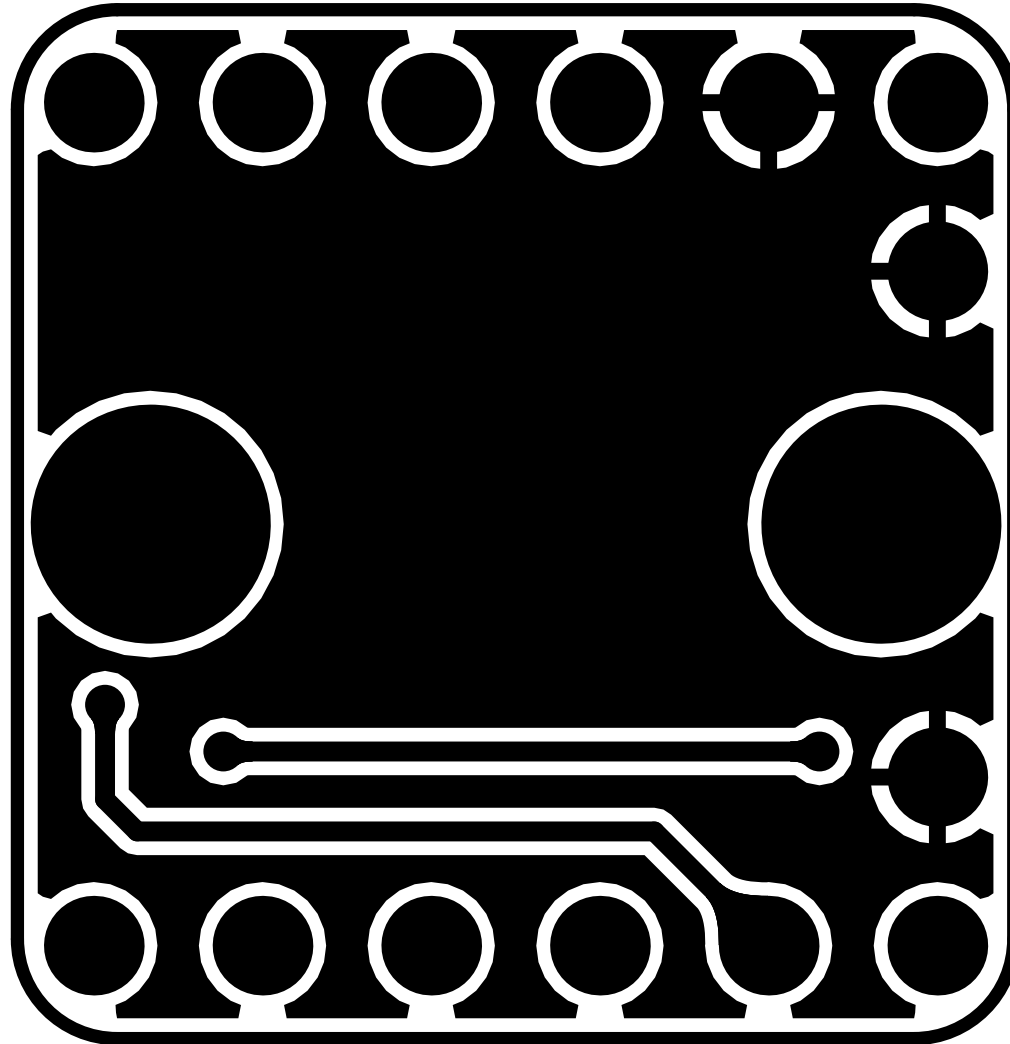
Use Conditions: 1.2V ≤ VCCA ≤ 3.6V 2.3 ≤ VCCB ≤ 5.5V VCCA < VCCB



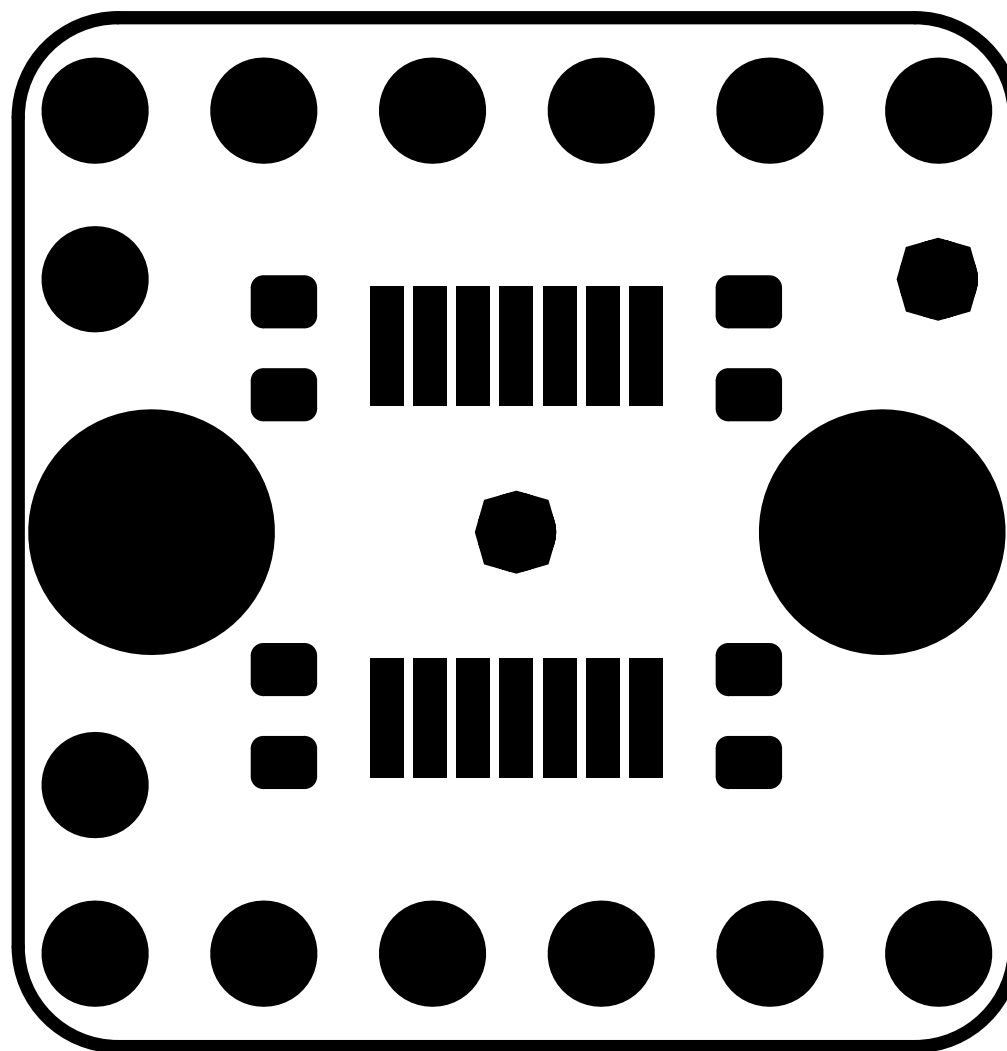
Title: 4-Bit Level Translator	Code: DFR0843
Drawn: HDJ-CD	Revision: V0.1
Page: 1 of 1	Size: A4
Date: 2021-03-02	Time: 8:52:51



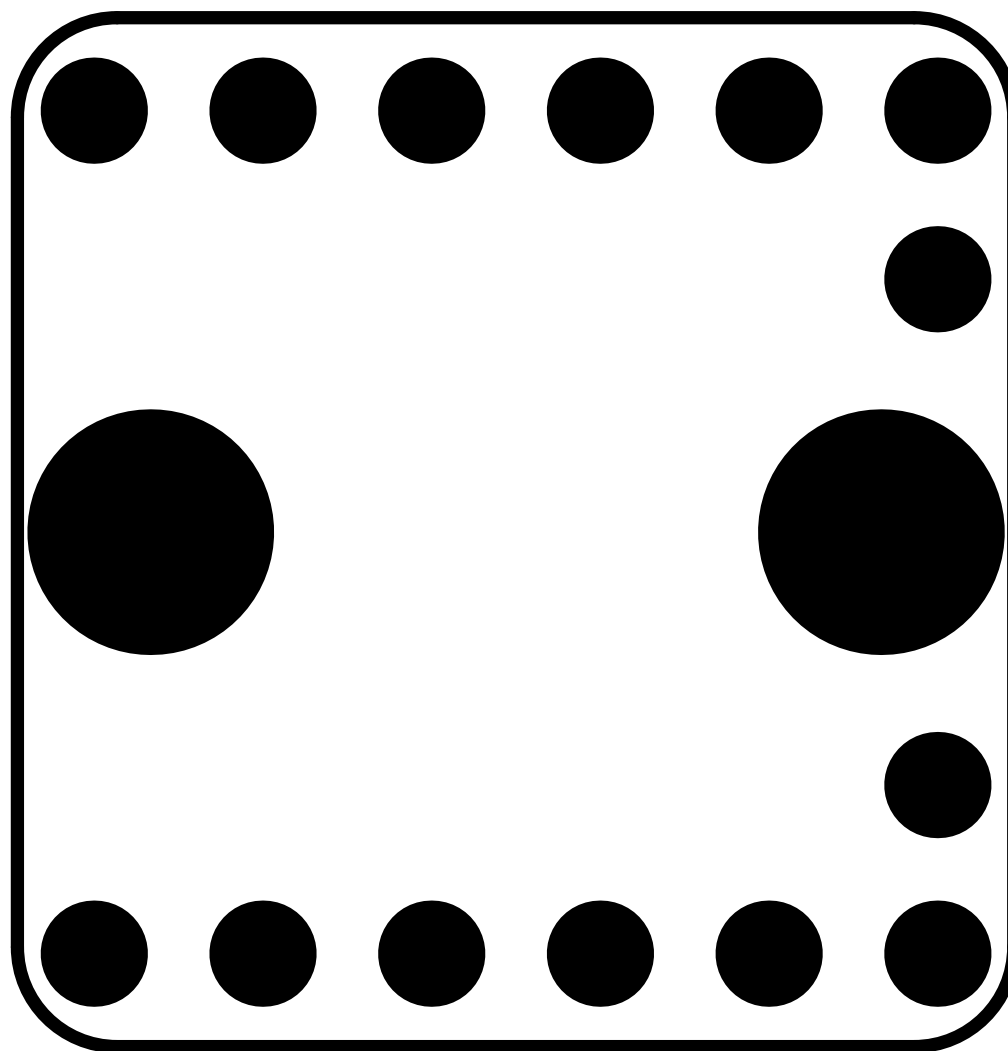
PCB Information	Name:DFR0843[V1.0]	Thickness: 1.0mm
Engineer: HDJ	Top SolderMask: Black	Bottom SolderMask: Black
Date: 20210302	Top Silkscreen: White	Bottom Silkscreen: White



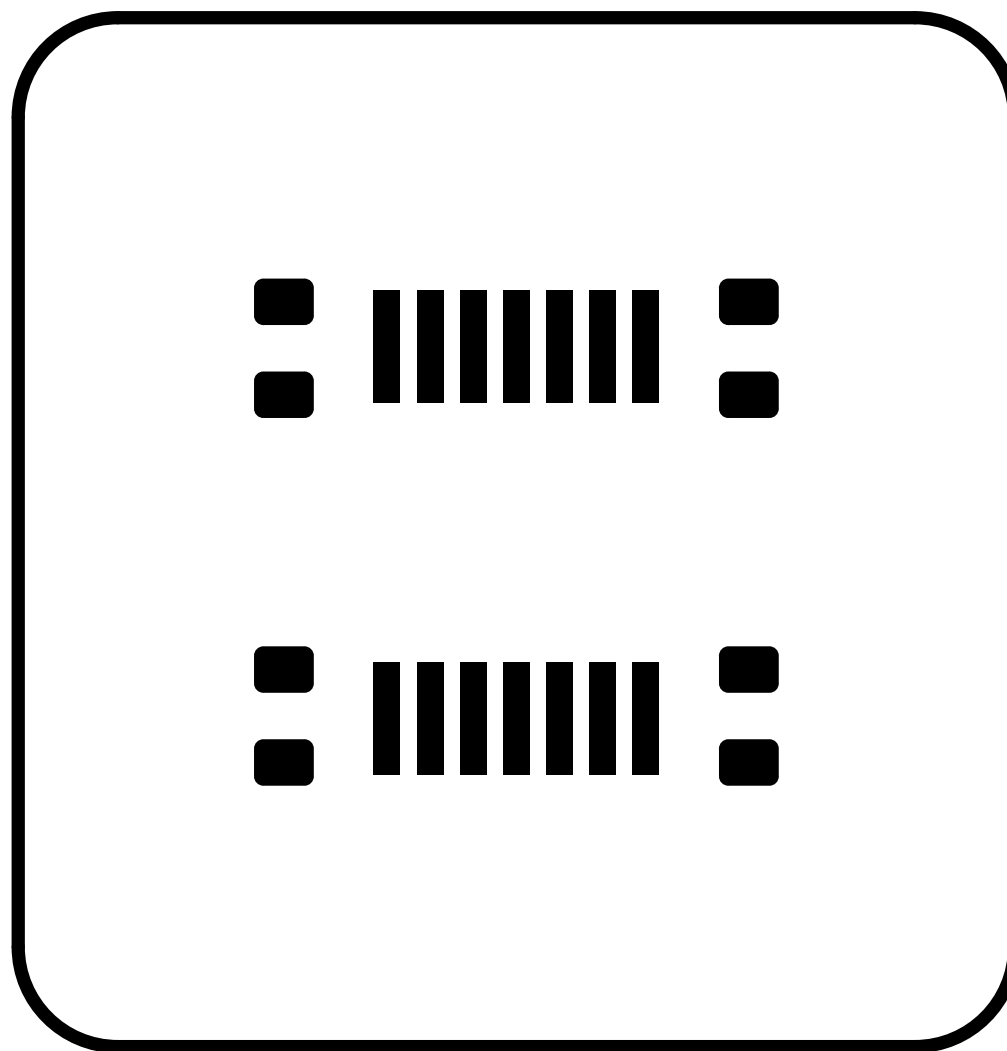
PCB Information	Name:DFR0843[V1.0]	Thickness: 1.0mm
Engineer: HDJ	Top SolderMask: Black	Bottom SolderMask: Black
Date: 20210302	Top Silkscreen: White	Bottom Silkscreen: White



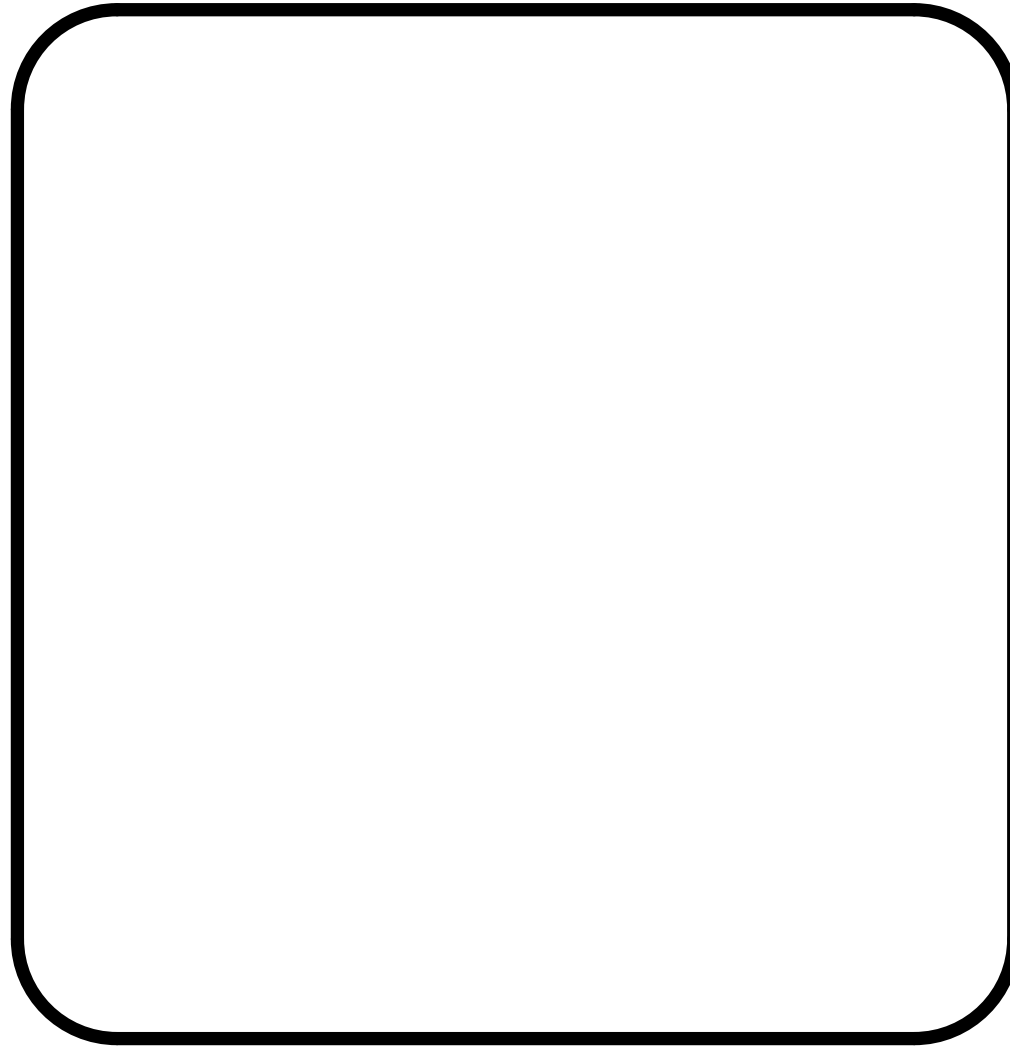
PCB Information	Name:DFR0843[V1.0]	Thickness: 1.0mm
Engineer: HDJ	Top SolderMask: Black	Bottom SolderMask: Black
Date: 20210302	Top Silkscreen: White	Bottom Silkscreen: White



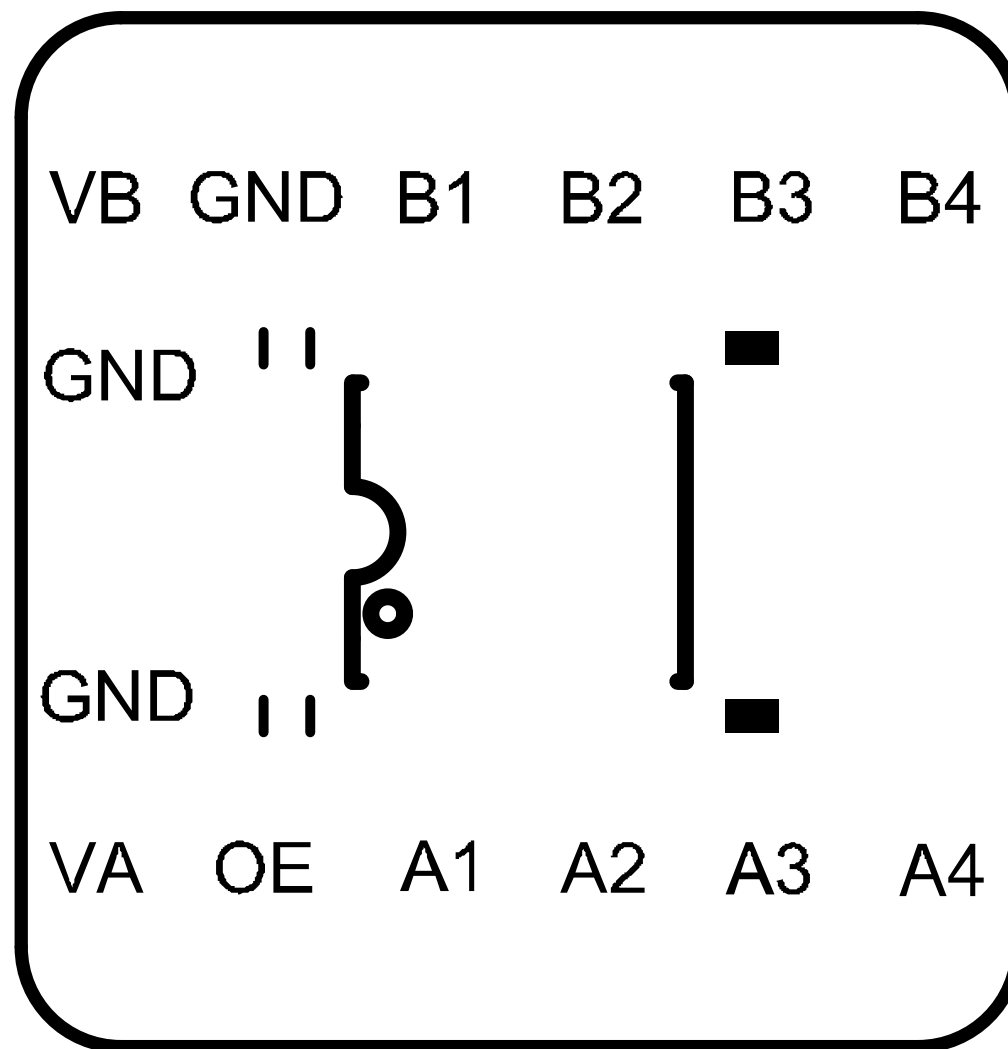
PCB Information	Name:DFR0843[V1.0]	Thickness: 1.0mm
Engineer: HDJ	Top SolderMask: Black	Bottom SolderMask: Black
Date: 20210302	Top Silkscreen: White	Bottom Silkscreen: White



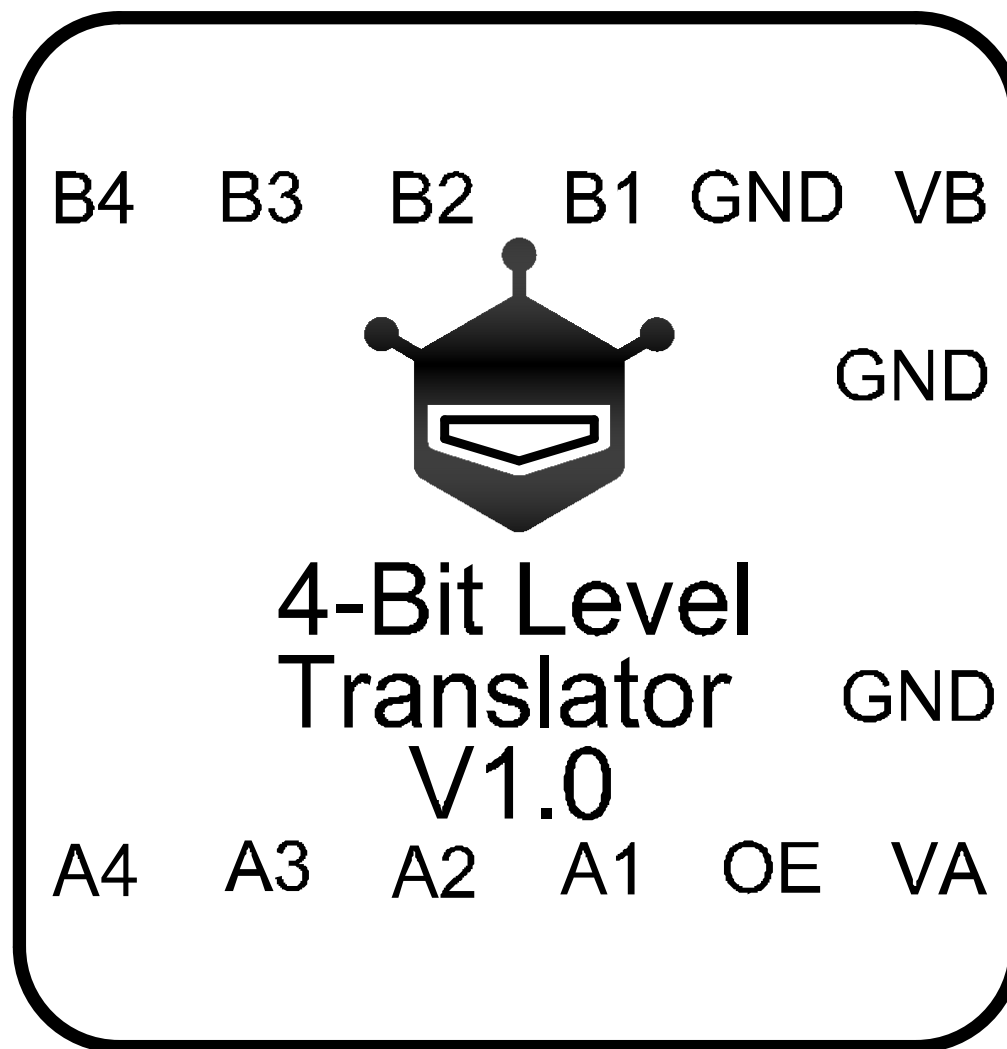
PCB Information	Name:DFR0843[V1.0]	Thickness: 1.0mm
Engineer: HDJ	Top SolderMask: Black	Bottom SolderMask: Black
Date: 20210302	Top Silkscreen: White	Bottom Silkscreen: White



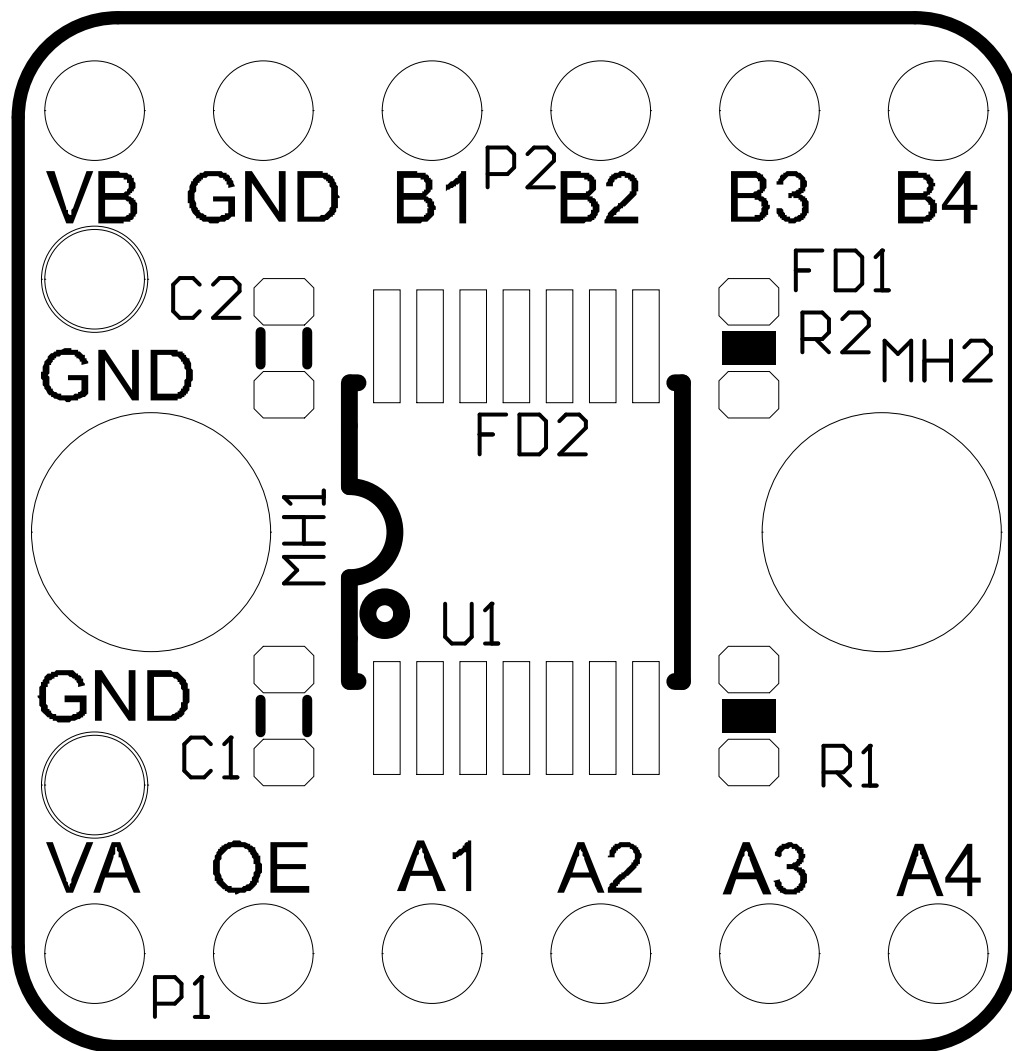
PCB Information	Name:DFR0843[V1.0]	Thickness: 1.0mm
Engineer: HDJ	Top SolderMask: Black	Bottom SolderMask: Black
Date: 20210302	Top Silkscreen: White	Bottom Silkscreen: White



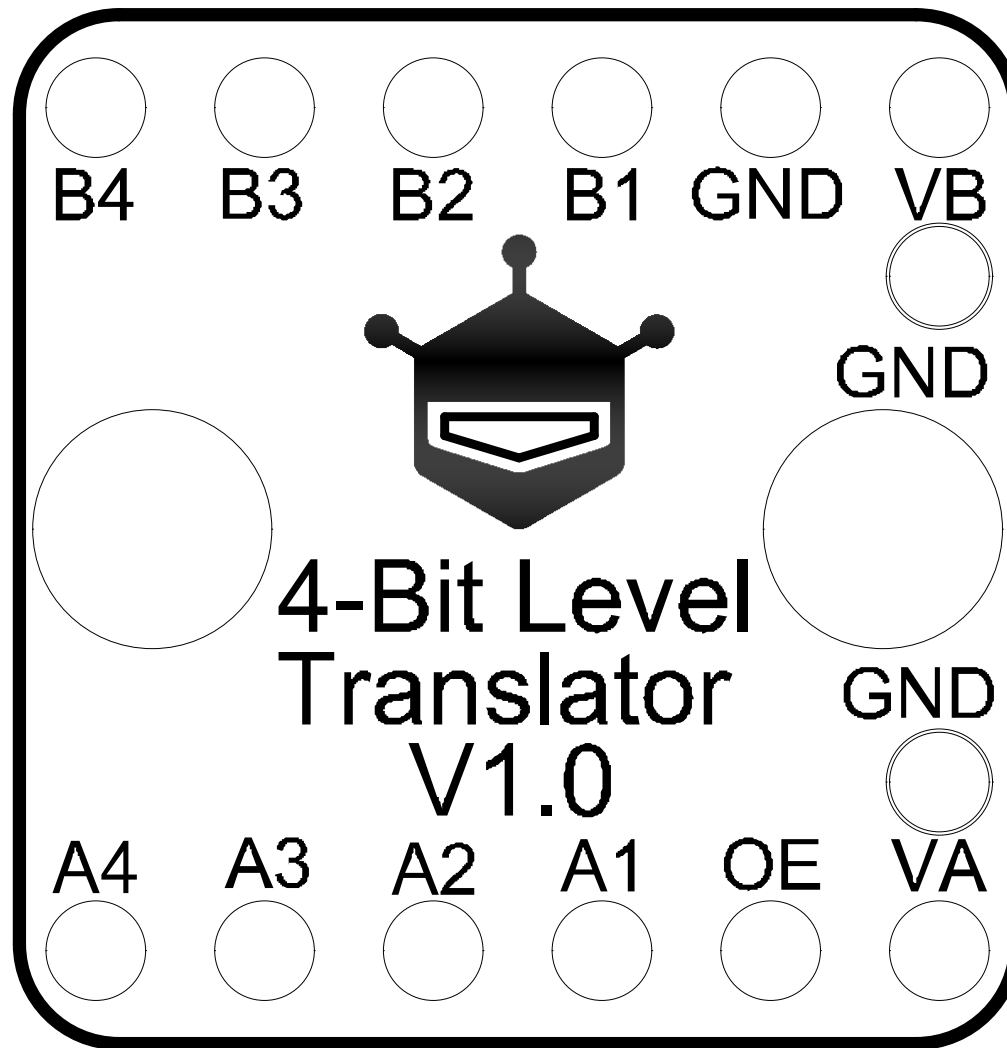
PCB Information	Name:DFR0843[V1.0]	Thickness: 1.0mm
Engineer: HDJ	Top SolderMask: Black	Bottom SolderMask: Black
Date: 20210302	Top Silkscreen: White	Bottom Silkscreen: White



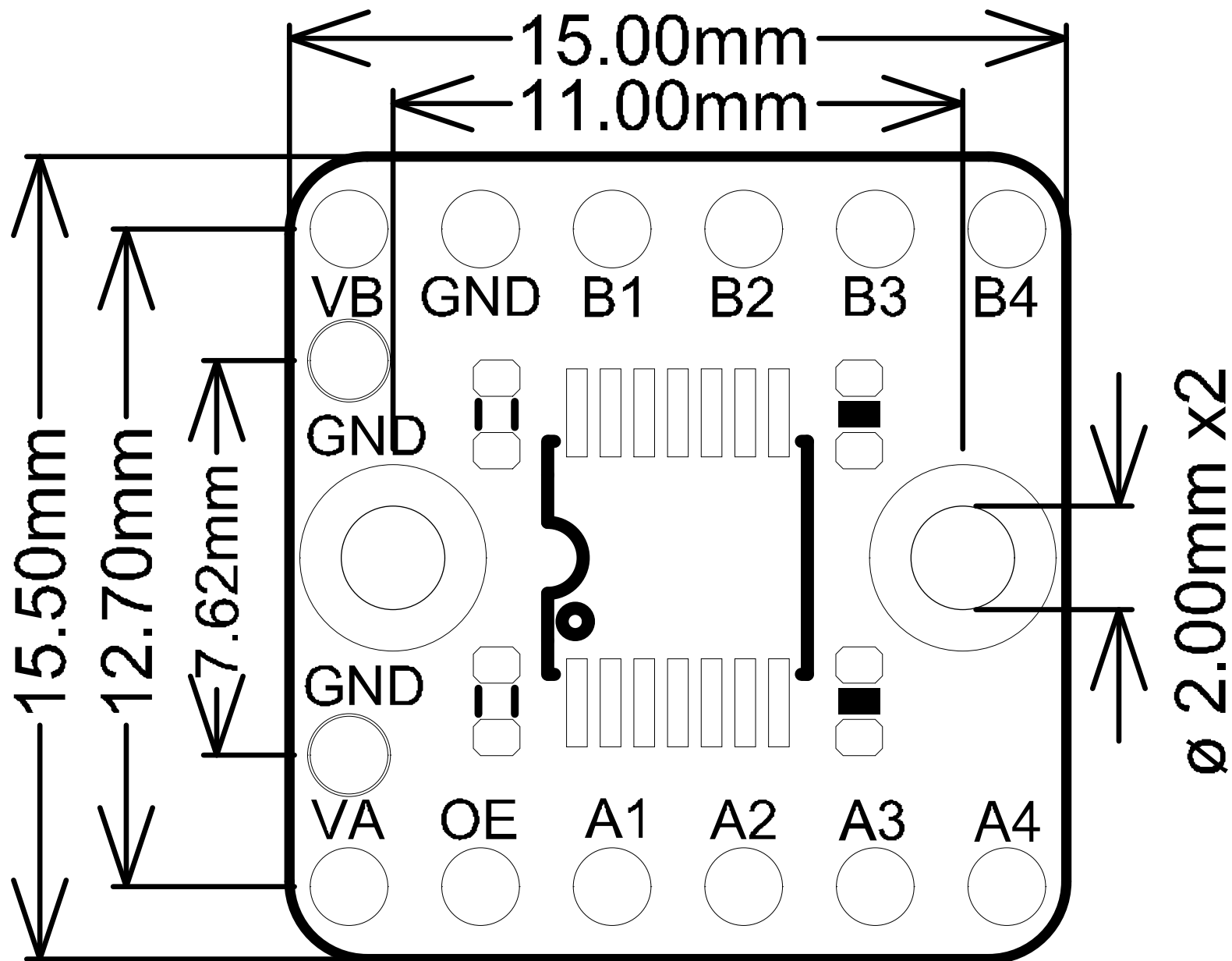
PCB Information	Name:DFR0843[V1.0]	Thickness: 1.0mm
Engineer: HDJ	Top SolderMask: Black	Bottom SolderMask: Black
Date: 20210302	Top Silkscreen: White	Bottom Silkscreen: White



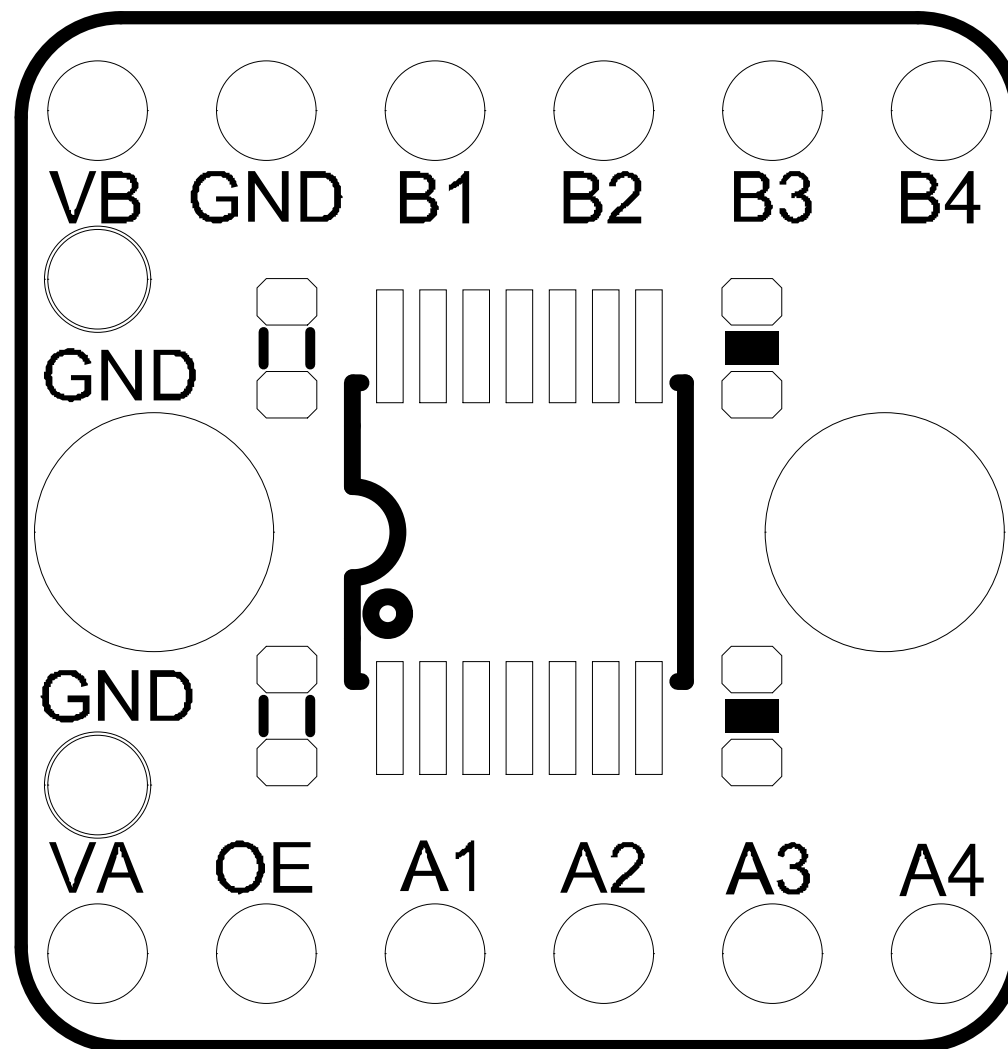
PCB Information	Name:DFR0843[V1.0]	Thickness: 1.0mm
Engineer: HDJ	Top SolderMask: Black	Bottom SolderMask: Black
Date: 20210302	Top Silkscreen: White	Bottom Silkscreen: White



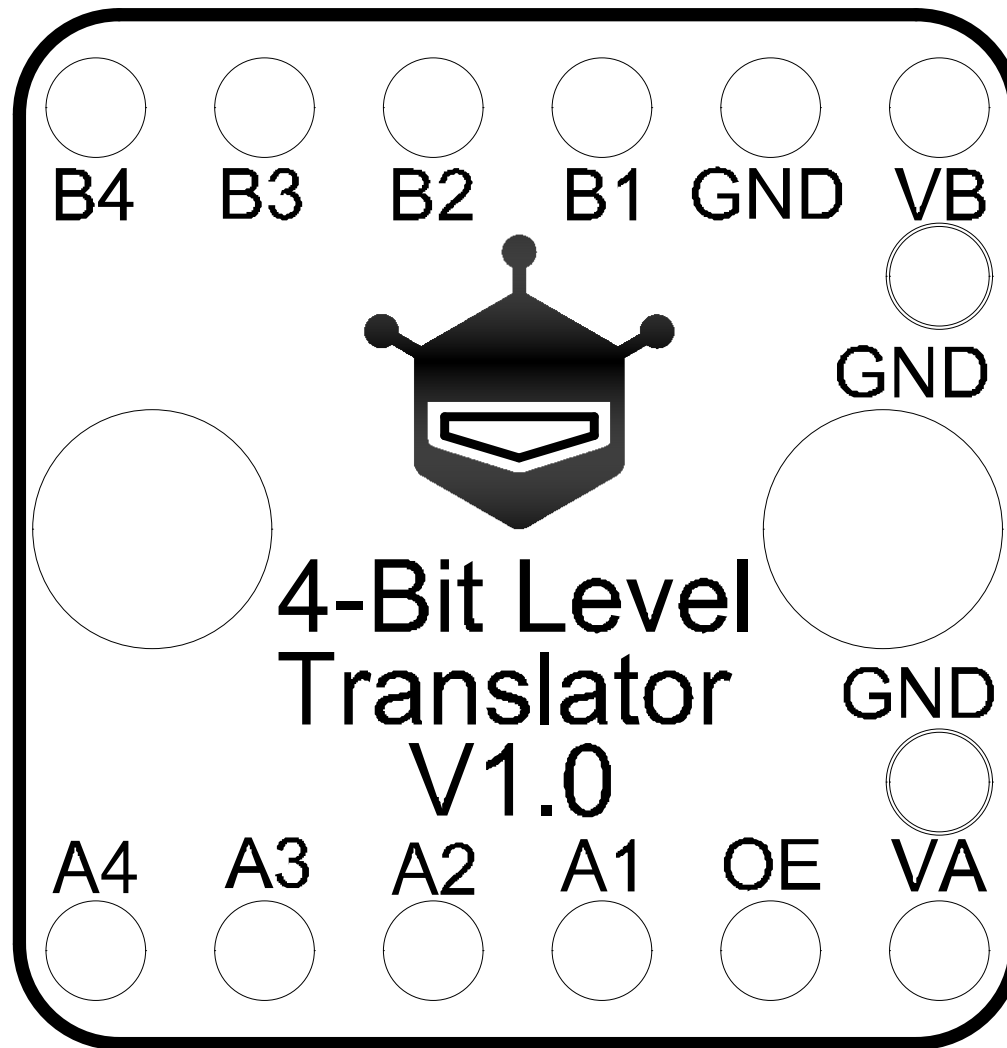
PCB Information	Name:DFR0843[V1.0]	Thickness: 1.0mm
Engineer: HDJ	Top SolderMask: Black	Bottom SolderMask: Black
Date: 20210302	Top Silkscreen: White	Bottom Silkscreen: White



PCB Information	Name:DFR0843[V1.0]	Thickness: 1.0mm
Engineer: HDJ	Top SolderMask: Black	Bottom SolderMask: Black
Date: 20210302	Top Silkscreen: White	Bottom Silkscreen: White



PCB Information	Name:DFR0843[V1.0]	Thickness: 1.0mm
Engineer: HDJ	Top SolderMask: Black	Bottom SolderMask: Black
Date: 20210302	Top Silkscreen: White	Bottom Silkscreen: White



PCB Information	Name:DFR0843[V1.0]	Thickness: 1.0mm
Engineer: HDJ	Top SolderMask: Black	Bottom SolderMask: Black
Date: 20210302	Top Silkscreen: White	Bottom Silkscreen: White