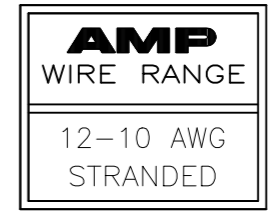
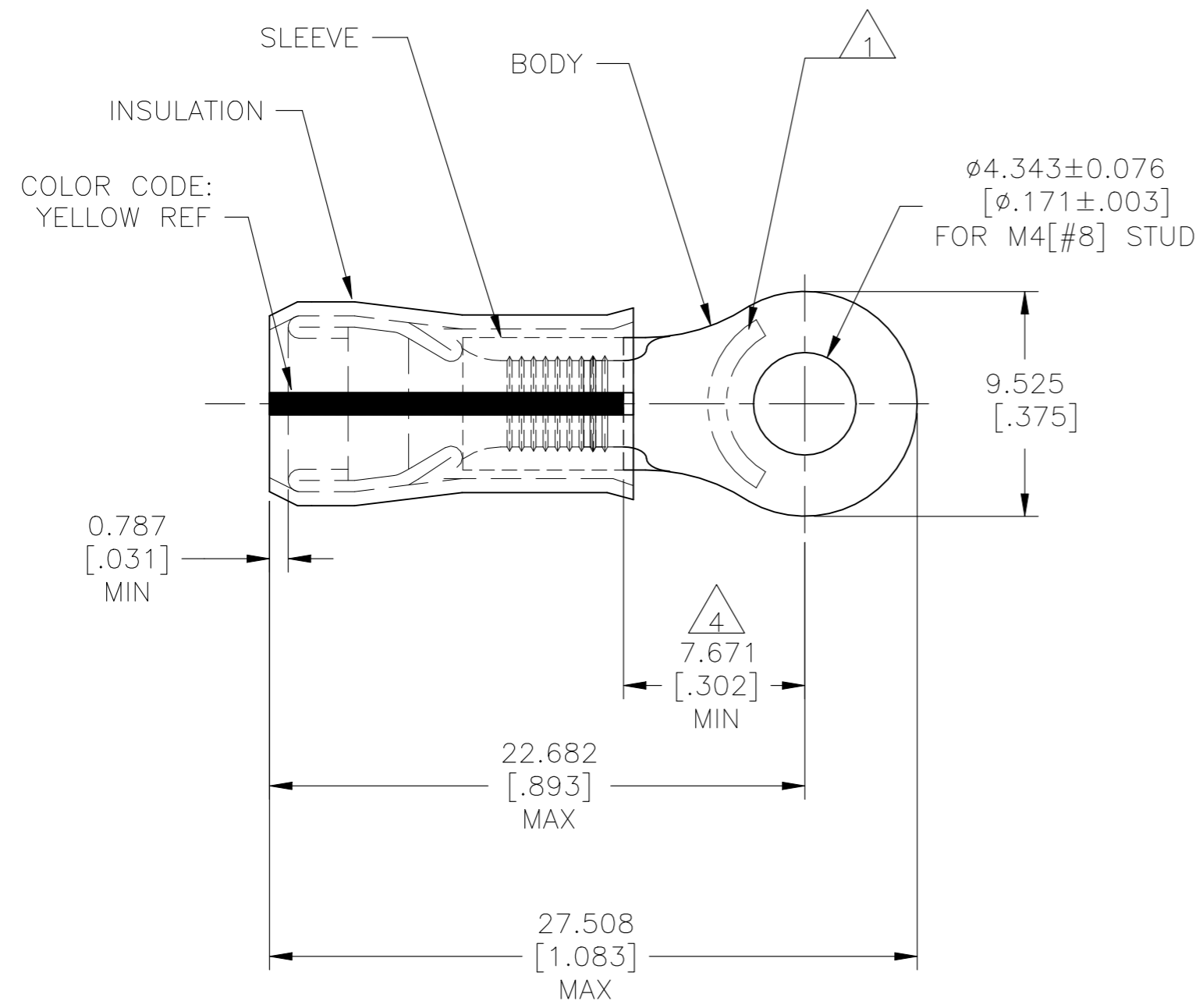


© - TE Connectivity. All Rights Reserved.

REVISIONS					
P	LTR	DESCRIPTION	DATE	DWN	APVD
	S6	REVISED PER ECN-22-156403	03JUN2022	RK	CSD



- 1 STAMP AMP 12-10* APPROX AS SHOWN
- 2 WIRE INSULATION DIA: "A" (SEE TABLE)
- 3 BODY MATERIAL THK: 0.991 ± 0.051 [$.039 \pm .002$]
- 4 APPLIES FROM EDGE OF METAL WIRE BARREL TO CENTER OF STUD HOLE
- 5 MEETS M7928/4-156, CLASS 1
MEETS M7928/13-156, CLASS 1
- 6 NOTE DELETED
- 7 MATERIAL:
BODY & SLEEVE: COPPER PER ASTM B152
INSULATION: PVF2
- 8 FINISH:
BODY & SLEEVE: TIN-LEAD (93-7) PLATE PER ASTM B545 (3% MIN LEAD CONTENT)
INSULATION: COLOR - NATURAL

2500	ON TAPE	3.810-5.842	53424-2
500	LOOSE PIECE	[.150-.230]	5 53424-1
QTY	PACKAGE TYPE	"A"	PART NO

AMP INCORPORATED
CUSTOMER SERVICE SYSTEMS

FOR ADDITIONAL PRODUCT INFORMATION OR COPIES OF DRAWINGS AND TECHNICAL DOCUMENTS
PRODUCT INFORMATION CENTER
1-800-522-6752

FOR APPLICATION TOOLING INFORMATION
TOOLING ASSISTANCE CENTER
1-800-722-1111

FOR ORDER ENTRY
1-800-526-5142

MAX RECOMMENDED OPERATING TEMPERATURE:
150°C [302°F] MAX

VOLTAGE RATING:
-

CIRCULAR MIL AREA:
2.62-6.64mm² [5,180-13,100] STRANDED

THIS DRAWING IS A CONTROLLED DOCUMENT.

DIMENSIONS: mm [INCHES]

TOLERANCES UNLESS OTHERWISE SPECIFIED:

0 PLC	± -
1 PLC	± -
2 PLC	± -
3 PLC	± 0.127[.005]
4 PLC	± -
ANGLES	± -

MATERIAL

DWN JR RUTH 16OCT07

CHK T MICHELUTTI 16OCT07

APVD T MICHELUTTI 16OCT07

PRODUCT SPEC

APPLICATION SPEC

WEIGHT -

STE TE Connectivity

NAME: TERMINAL, RING TONGUE, PVF2, P.I.D.G. WIRE SIZE: 12-10 AWG

SIZE: A3 CAGE CODE: 00779 DRAWING NO: C-53424 RESTRICTED TO: -

CUSTOMER DRAWING SCALE: 4:1 SHEET: 1 OF 1 REV: S6