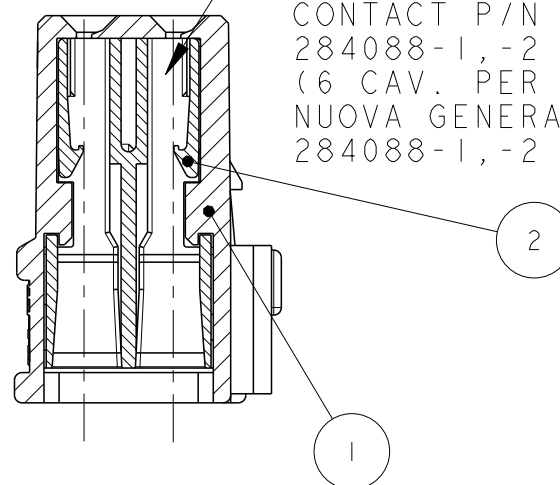
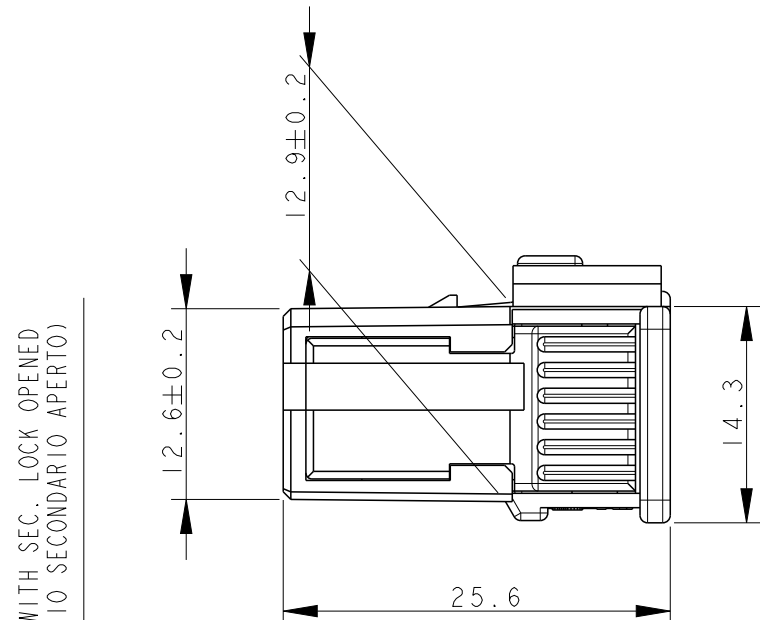


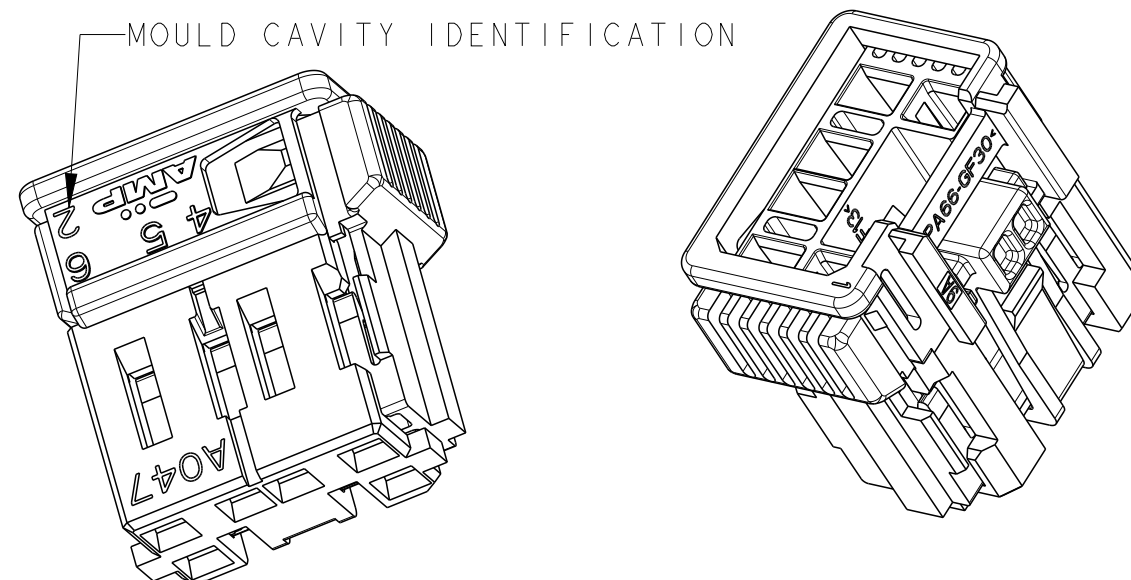
P	LTR	DESCRIPTION	DATE	DWN	APVD
A2		ADDED POL. -1 ET000160-00	JUL00	D.B.	O.C.
A3		RELEASED FOR PRODUCTION POL. -1 (ET00-0063-02)	04APR2002	M.P.	O.C.
A4		REVISED PER ECO-19-007445	14MAY2019	AP	V.N.
A5		REVISED PER ECN-22-141284	01MAR2022	V.N.	V.N.

SECTION A-A
(SEZIONE A-A)

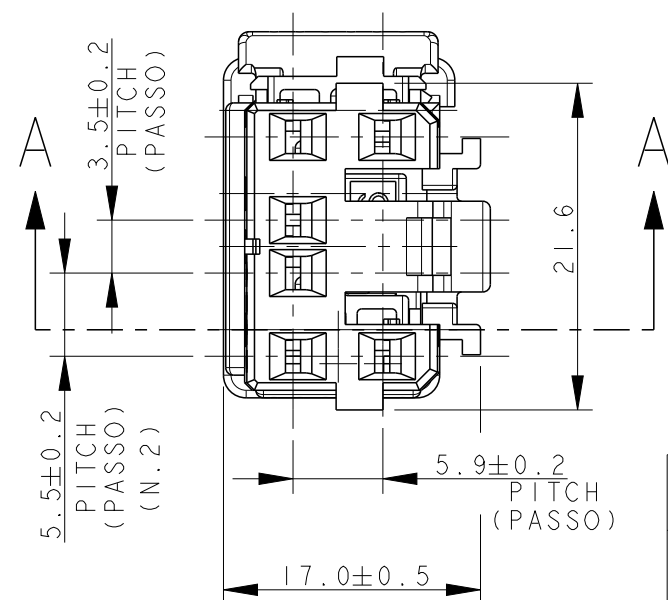
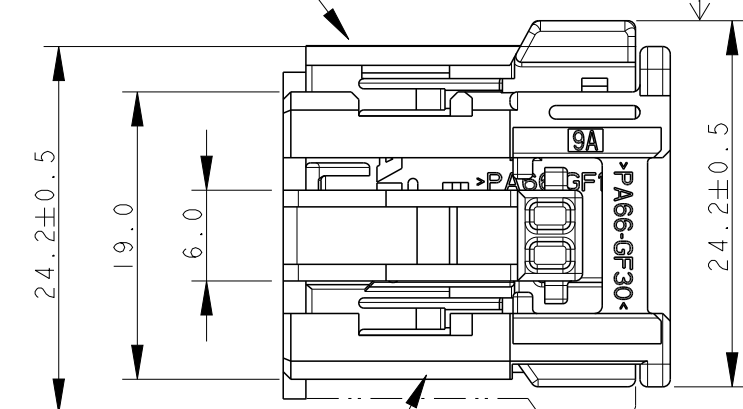
6 CAV. FOR NEW GENERATION MULTILOCK RECEPTACLE CONTACT P/N 284087-1,-2 ; 284088-1,-2 AND 284166-1,-2 (6 CAV. PER CONTATTI FEMMINA NUOVA GENERAZIONE P/N 284087-1,-2 284088-1,-2 E 284166-1,-2)



MOULD CAVITY IDENTIFICATION



SUPPLIED WITH SEC. LOCKING DEVICE ON PRE-ASSEMBLED POSITION (FORNITO CON IL DISPOSITIVO DI AGGANCIO SECONDARIO IN POS. PRE-ASSEMBLATO)



282989-2 AS SHOWN (COME MOSTRATO)

2	RECEPTACLE HOUSING (BLOCC. PORTA FEMMINE)	SEE SHEET 2 VED.FOGLIO 2	PA 66 G.F.	SEE SHEET 2 VED.FOGLIO 2
1	SEC. LOCKING DEVICE (AGGANCIO SECONDARIO)	SEE SHEET 2 VED. FOGLIO 2	PA 66 G.F.	SEE SHEET 2 VED. FOGLIO 2
ITEM	DESCRIPTION (DESCRIZIONE)	FINISH/COLOUR (FINITURA/COLORE)	MATERIAL (MATERIALE)	PART NUMBER (NUMERO)

FOR POLARIZATION DETAILS AND COUNTERPARTS P/N'S SEE SHEET 2 (PER DETTAGLIO POLARIZZAZIONI E P/N'S CONTROPARTI VEDERE FOGLIO 2)

THIS DRAWING IS A CONTROLLED DOCUMENT.

DWN	A. MARANGON	04MAR99
CHK	O. CANUTO	04MAR99
APVD	A. GENTA	04MAR99
PRODUCT SPEC	108-20175	
APPLICATION SPEC	114-20098	
WEIGHT	3.50 g	

TE TE Connectivity

NAME: 6 POS. NEW GENERATION RECEPTACLE CONNECTOR for trucks

SIZE	CAGE CODE	DRAWING NO	RESTRICTED TO
A3	00779	C-282989	-

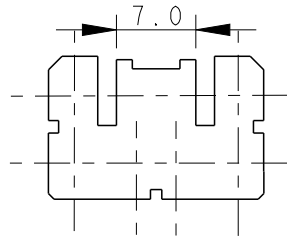
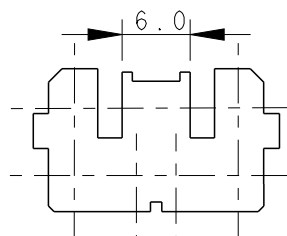
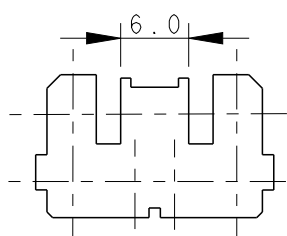
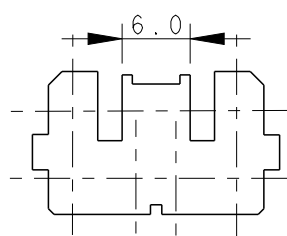
CUSTOMER DRAWING SCALE 2:1 SHEET 1 OF 2 REV A5

OVERALL DIMENSIONS WITH SEC. LOCK CLOSED: (INGOMBRO CON AGGANCIO SECONDARIO CHIUSO)

OVERALL DIMENSIONS WITH SEC. LOCK OPENED: (INGOMBRO CON AGGANCIO SECONDARIO APERTO)

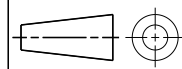
REVISIONS

P	LTR	DESCRIPTION	DATE	DWN	APVD
		SEE SHEET 1			

P/N	ITEM 1-2 COLOUR (COLORE)	PART REV.	GRAPHIC REPRESENTATION MATING FACE (RAPPRESENTAZIONE GRAFICA LATO ACCOPIAMENTO)	P/N FREE HANGING COUNTERPART (CONTROPARTE VOLANTE)	P/N APPLICATION PANEL (DIMA DI APPLICAZIONE)
282989-1	WHITE (BIANCO)	A		282992-1	92-51195-1
282989-2	BLACK (NERO)	A		282992-2	92-51195-2
282989-3	BLUE (BLU)	A		282992-3	92-51195-3
282989-4	GREY (GRIGIO)	A		282992-4	92-51195-4

THIS DRAWING IS A CONTROLLED DOCUMENT.

DIMENSIONS:
mm



MATERIAL
SEE SHEET 1

TOLERANCES UNLESS
OTHERWISE SPECIFIED:

- 0 PLC ±0.3
- 1 PLC ±0.3
- 2 PLC ±0.3
- 3 PLC ±-
- 4 PLC ±-
- ANGLES ±2

FINISH

-

DWN 04MAR99

A. MARANGON

CHK 04MAR99

O. CANUTO

APVD 04MAR99

A. GENTIA

PRODUCT SPEC

SEE SHEET 1 (VEDERE FOGLIO 1)

APPLICATION SPEC

SEE SHEET 1 (VEDERE FOGLIO 1)

WEIGHT

SEE SHEET 1 (VEDERE FOGLIO 1)

CUSTOMER DRAWING



TE Connectivity

NAME
6 POS. NEW GENERATION
RECEPTACLE CONNECTOR
for trucks

SIZE CAGE CODE DRAWING NO RESTRICTED TO

A300779 G-282989

SCALE - SHEET 2 OF 2 REV A5