

TABLE OF CONTENTS	
SHEET NO.	SHEET DESCRIPTION
1	NOTES AND BOM
2	1X2 AND 1X3 CONFIGURATIONS
3	1X4 AND 1X6 CONFIGURATIONS
4	CONVOLUTE INTERFACE/BACKSHELL DETAIL

BILL OF MATERIALS(BOM)							
DESCRIPTION	PART NUMBER	CIRCUIT SIZE	CONVOLUTE SIZE	DIRECTION TYPE	CABLE TIE ACCESS	STATUS	MATING ASSEMBLY DRAWING
1X2 WIRE DRESS TYPE 1	160091-2010	1X2	NW 4.5	1	NO	SALEABLE	SD-34900-2001
1X2 WIRE DRESS TYPE 2	160091-2110	1X2	NW 4.5	2	NO	SALEABLE	SD-34900-2001
1X2 WIRE DRESS TYPE 3	160091-2210	1X2	NW 4.5	3	NO	SALEABLE	SD-34900-2001
1X3 WIRE DRESS TYPE 1	160091-3010	1X3	NW 4.5	1	NO	SALEABLE	SD-34900-2001
1X3 WIRE DRESS TYPE 2	160091-3110	1X3	NW 4.5	2	NO	SALEABLE	SD-34900-2001
1X3 WIRE DRESS TYPE 3	160091-3210	1X3	NW 4.5	3	NO	SALEABLE	SD-34900-2001
1X4 WIRE DRESS TYPE 1, CABLE TIE ACCESS	160091-4020	1X4	NW 7.5	1	YES	SALEABLE	SD-34900-6001
1X4 WIRE DRESS TYPE 2, CABLE TIE ACCESS	160091-4120	1X4	NW 7.5	2	YES	SALEABLE	SD-34900-6001
1X4 WIRE DRESS TYPE 3, CABLE TIE ACCESS	160091-4220	1X4	NW 7.5	3	YES	SALEABLE	SD-34900-6001
1X6 WIRE DRESS TYPE 1, CABLE TIE ACCESS	160091-6020	1X6	NW 7.5	1	YES	SALEABLE	SD-34900-6001
1X6 WIRE DRESS TYPE 2, CABLE TIE ACCESS	160091-6120	1X6	NW 7.5	2	YES	SALEABLE	SD-34900-6001
1X6 WIRE DRESS TYPE 3, CABLE TIE ACCESS	160091-6220	1X6	NW 7.5	3	YES	SALEABLE	SD-34900-6001

BACKSHELL NOTES: VALID UNLESS OTHERWISE SPECIFIED

1. GENERAL:

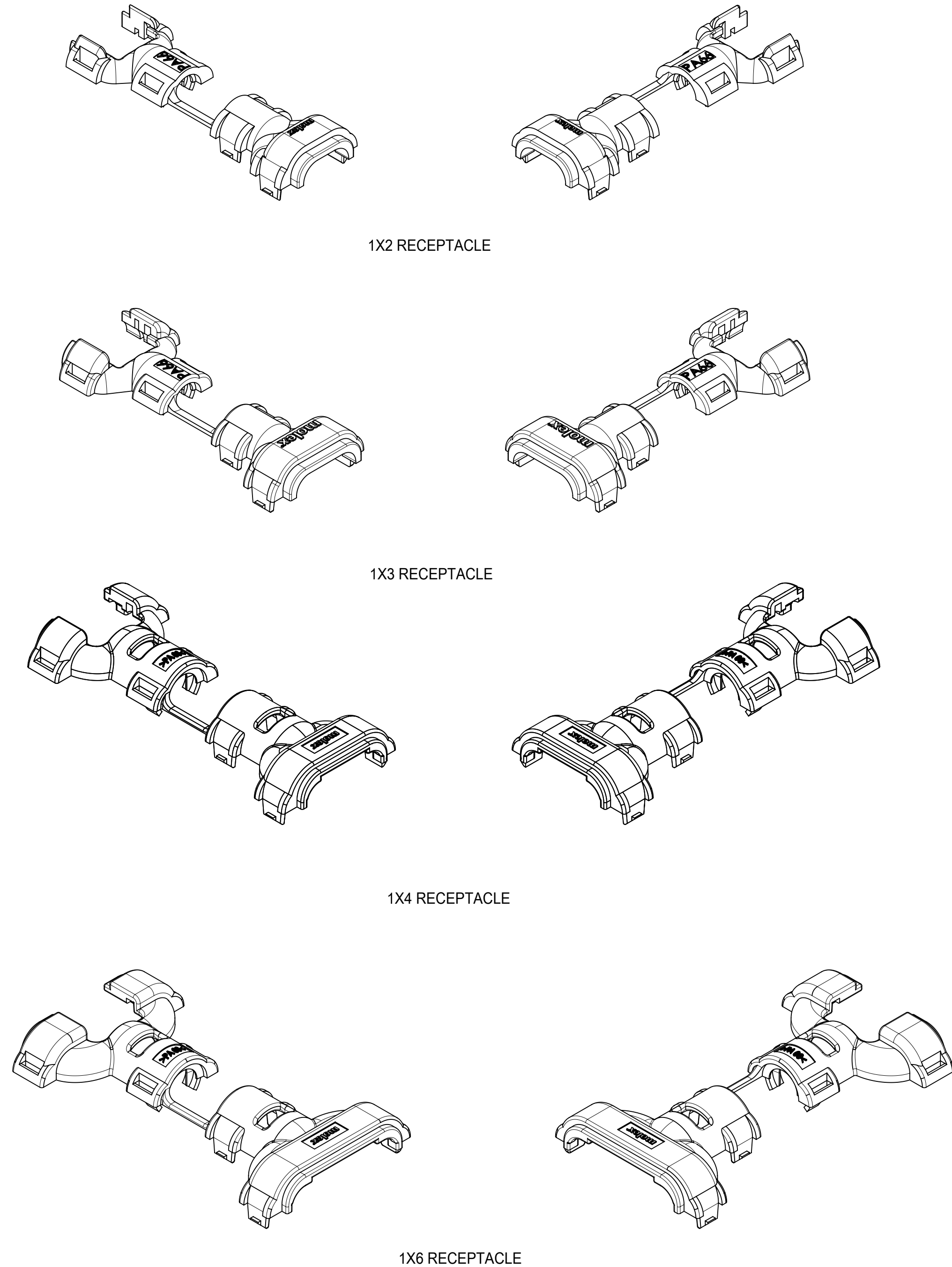
- a. APPLICATION SPECIFICATION SEE: AS-34900-0001
  - DESIGNED TO MATE WITH RECEPTACLE SEALED ASSEMBLY AS SPECIFIED IN BOM
  - COMPONENTS ARE OPTIONAL AND MUST BE PURCHASED SEPERATELY
  - BACKSHELL DESIGN IS OWNED BY SCHLEMMER
- b. PRODUCT SPECIFICATION
  - THESE PRODUCTS ARE ONE TIME USE ONLY.
  - REMOVAL FORCE OF THE BACKSHELL FROM THE MOLEX CONNECTOR TO BE 110N MIN.
  - REMOVAL FORCE OF SLIT CONVOLUTE FROM THE WIRE DRESS COVER TO BE 20 N MIN.
  - REMOVAL FORCE OF UNSLIT CONVOLUTE FROM THE WIRE DRESS COVER TO BE 20 N MIN.
- c. PACKAGING SPECIFICATION SEE PK-31302-118
- d. PARTS MUST BE IN COMPLIANCE TO MOLEX CHEMICAL SUBSTANCES FOR PRODUCTS AND PACKAGING SPECIFICATION: QEHS-699000-300
- e. DATA MUST BE SUBMITTED UNDER THE MOLEX PART NUMBER TO IMDS (COMPANY ID#13255)
- f. FOLLOWING PRODUCTION CODES TO BE PRESENT
  - DATE CODE
  - MOLD CAVITY CODE
  - CONVOLUTE SIZE
  - MOLEX LOGO
  - MATERIAL
  - SUPPLIER PART NUMBER

3. DESIGN GEOMETRY:

- a. THIS IS A 100% CAD GENERATED PART. THE CAD MATHEMATICAL DATA IS THE MASTER FOR THIS PART. FOR DIMENSIONAL OR ANY INFORMATION NOT SHOWN ON THIS DRAWING, ANALYZE THE CAD MODEL.
- b. GEOMETRIC DIMENSIONS AND TOLERANCES PER ASME Y14.5M - 2009
- c. CORNERS SHOWN AS SHARP TO BE R 0.1.
- d. VISUAL DEFECTS SHALL MEET COSMETIC STANDARD PS-45499-002 (CLASS B).
- e. DRAFT OF 2° PRESENT.
- f. ALLOWABLE FLASH, PARTING LINES MISMATCH, EJECTOR PINS MARK, AND GATE VESTIGE TO BE +0.30 MAX PROTUSION.

2. DESIGN - MATERIALS:

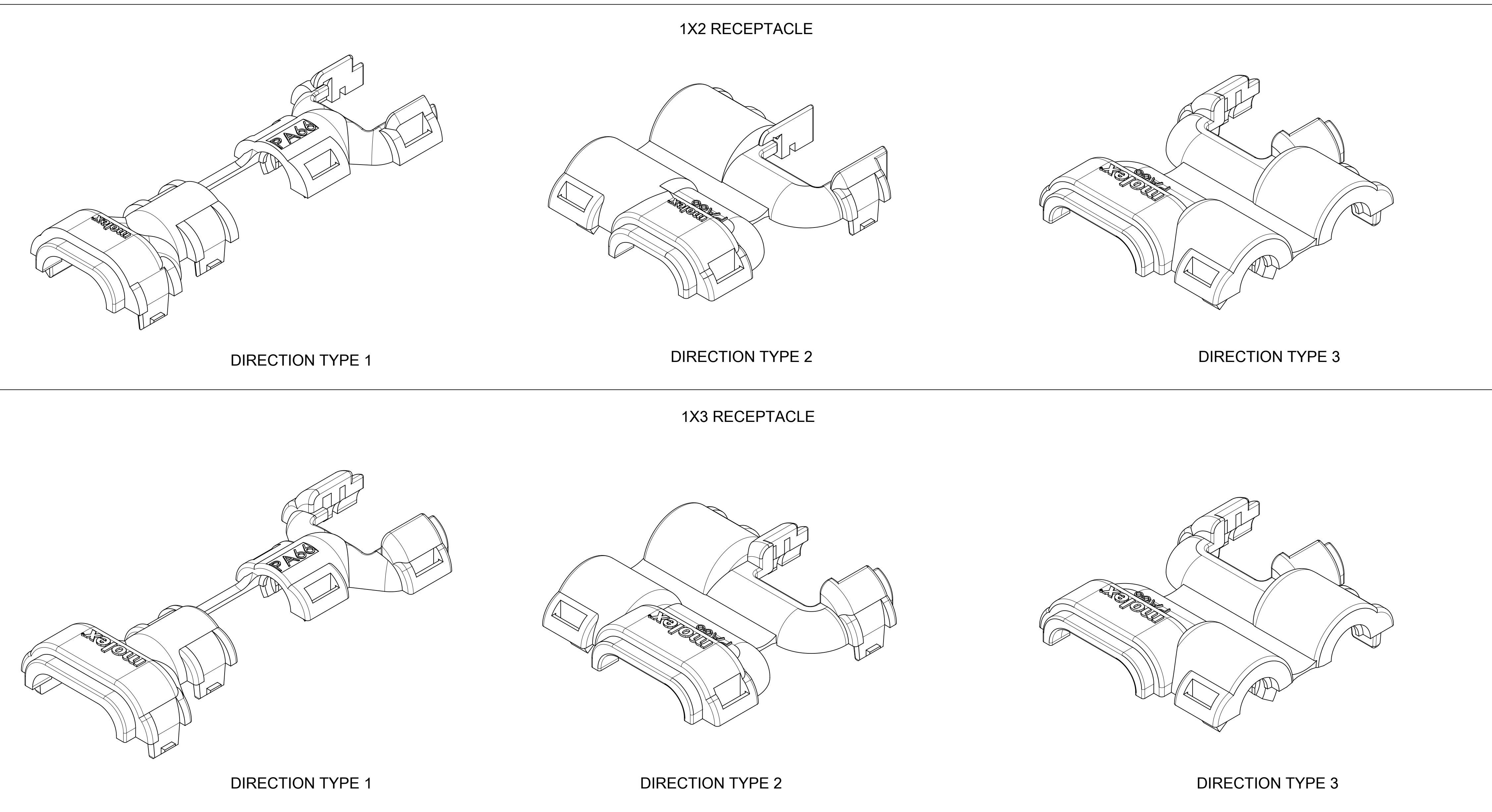
- a. PA66 0% GLASS FILLED
- b. BLACK



C	MIGRATED TO NX, BALLOON NUMBERS ADDED
B	1X4 / 1X6 COVERS MADE SALEABLE
1	INITIAL RELEASE
REV	DESCRIPTION

FUNCTIONAL SYMBOLS	THIS DRAWING CONTAINS INFORMATION THAT IS PROPRIETARY TO MOLEX ELECTRONIC TECHNOLOGIES, LLC AND SHOULD NOT BE USED WITHOUT WRITTEN PERMISSION		CURRENT REV DESC: MIGRATED TO NX, BALLOON NUMBERS ADDED	
	FA = 0	mm	SCALE	1.5:1
DIVISIONAL SYMBOLS	GENERAL TOLERANCES (UNLESS SPECIFIED)		EC NO: 634349	
	FC = 0	ANGULAR TOL ± 3.0°	DRWN: VRAMAKANTALA	2020/03/17
FUNCTIONAL SYMBOLS	FD = 0	4 PLACES ±	CHK'D: MVANSLAMBROU	2020/03/21
		3 PLACES ±	APPR: MVANSLAMBROU	2020/03/21
		2 PLACES ± 0.1	INITIAL REVISION:	
		1 PLACE ± 0.3	DRWN: MVANSLAMBROU	2015/05/28
	0 PLACES ±	APPR: VKOSHY	2016/01/04	
DRAFT WHERE APPLICABLE MUST REMAIN WITHIN DIMENSIONS		THIRD ANGLE PROJECTION	DRAWING	SERIES
			D-SIZE	160091
DOCUMENT STATUS		P1	RELEASE DATE	2020/03/21 11:41:05
DOCUMENT NUMBER		DOC TYPE		DOC PART
SD-160091-0001		PSD	001	C
MATERIAL NUMBER		CUSTOMER		SHEET NUMBER
SEE BOM		GENERAL MARKET		1 OF 4

# 1X2 AND 1X3 CONFIGURATIONS



FUNCTIONAL SYMBOLS	THIS DRAWING CONTAINS INFORMATION THAT IS PROPRIETARY TO MOLEX ELECTRONIC TECHNOLOGIES, LLC AND SHOULD NOT BE USED WITHOUT WRITTEN PERMISSION		
	DIMENSION UNITS	SCALE	CURRENT REV DESC: MIGRATED TO NX, BALLOON NUMBERS ADDED
$\nabla_A = 0$	mm	3:1	EC NO: 634349 DRWN: VRAMAKANTALA 2020/03/17 CHK'D: MVANSLAMBROU 2020/03/21 APPR: MVANSLAMBROU 2020/03/21 INITIAL REVISION: DRWN: MVANSLAMBROU 2015/05/28 APPR: VKOSHY 2016/01/04
$\nabla_C = 0$	GENERAL TOLERANCES (UNLESS SPECIFIED)		
$\nabla_P = 0$	ANGULAR TOL $\pm 3.0^\circ$		
DIVISIONAL SYMBOLS	4 PLACES	$\pm$	
	3 PLACES	$\pm$	
	2 PLACES	$\pm 0.1$	
	1 PLACE	$\pm 0.3$	
	0 PLACES	$\pm$	
DRAFT WHERE APPLICABLE MUST REMAIN WITHIN DIMENSIONS		THIRD ANGLE PROJECTION	DRAWING: D-SIZE SERIES: 160091
DOCUMENT STATUS		DOCUMENT NUMBER	CUSTOMER: GENERAL MARKET SHEET NUMBER: 2 OF 4

**molex**

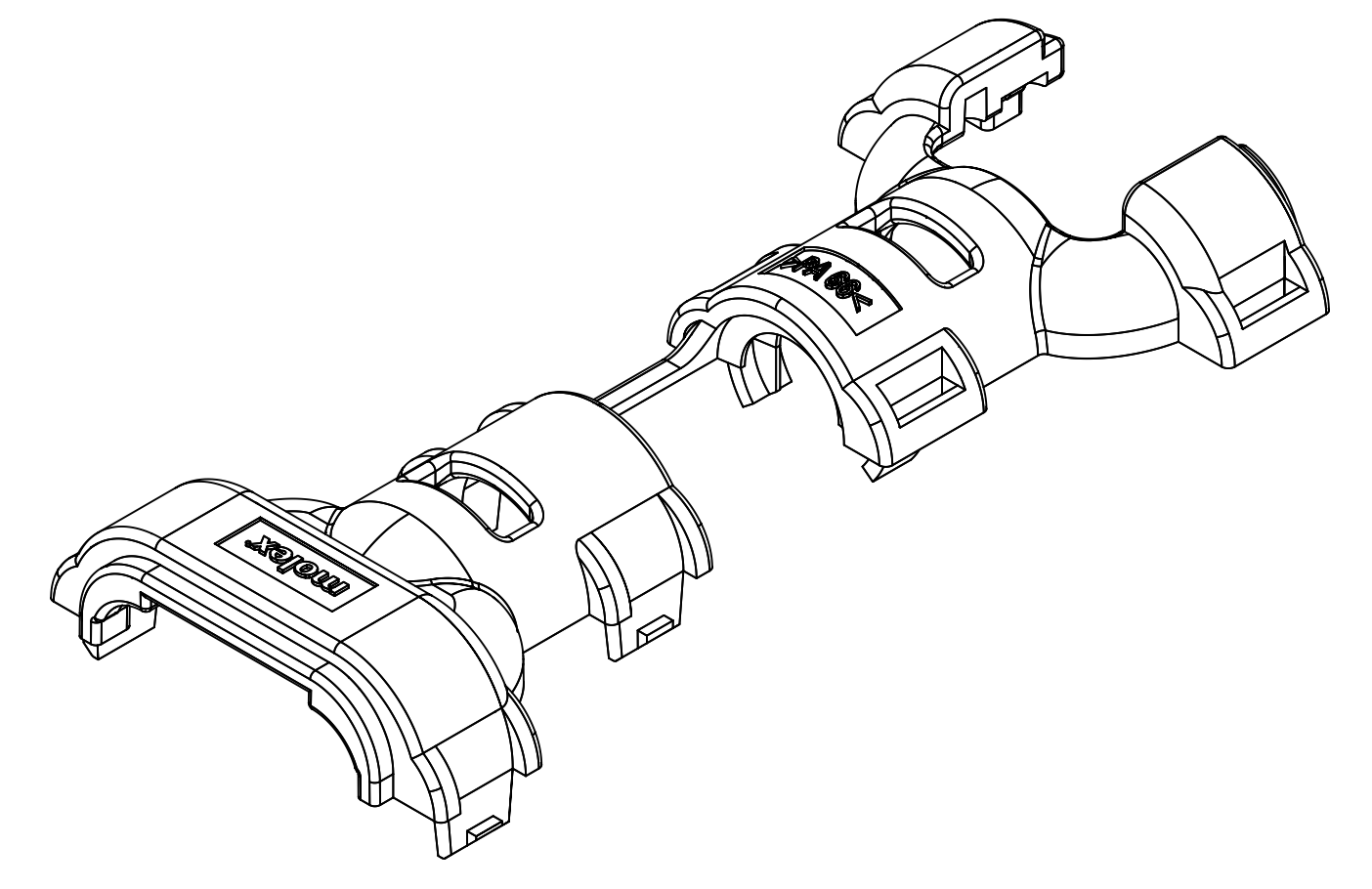
1.2MM RECEPTACLE WDC

PRODUCT CUSTOMER DRAWING

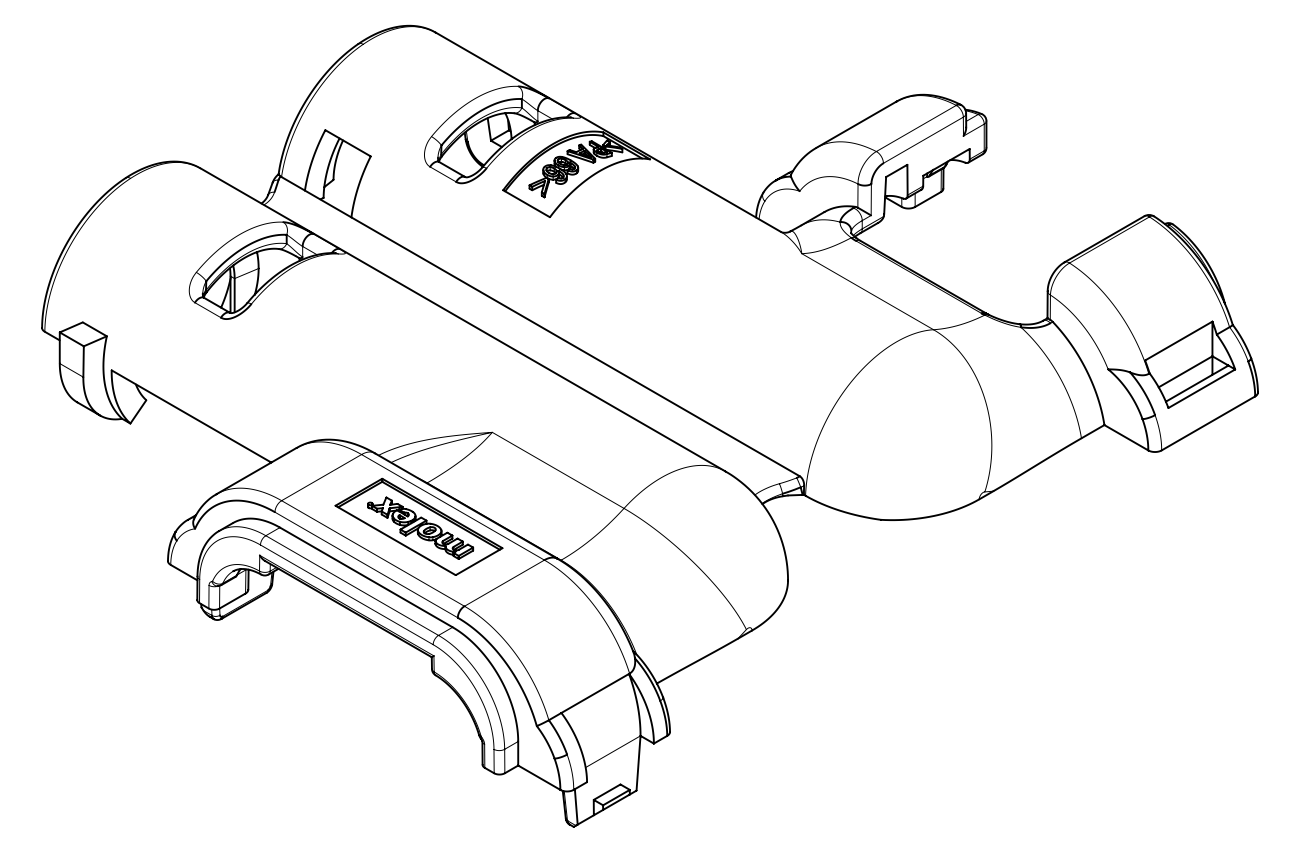
DOCUMENT NUMBER	DOC TYPE	DOC PART	REVISION
SD-160091-0001	PSD	001	C

# 1X4 AND 1X6 CONFIGURATIONS

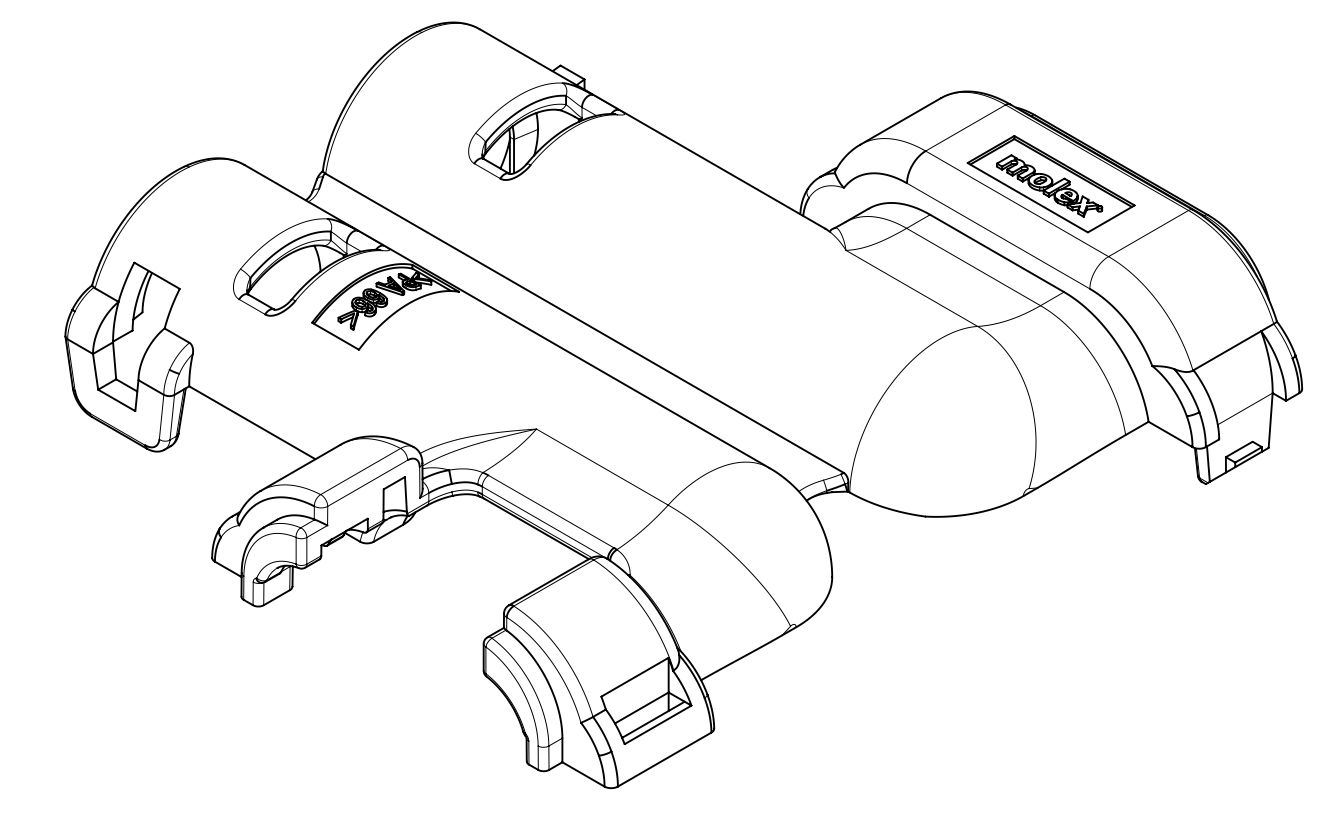
## 1X4 RECEPTACLE



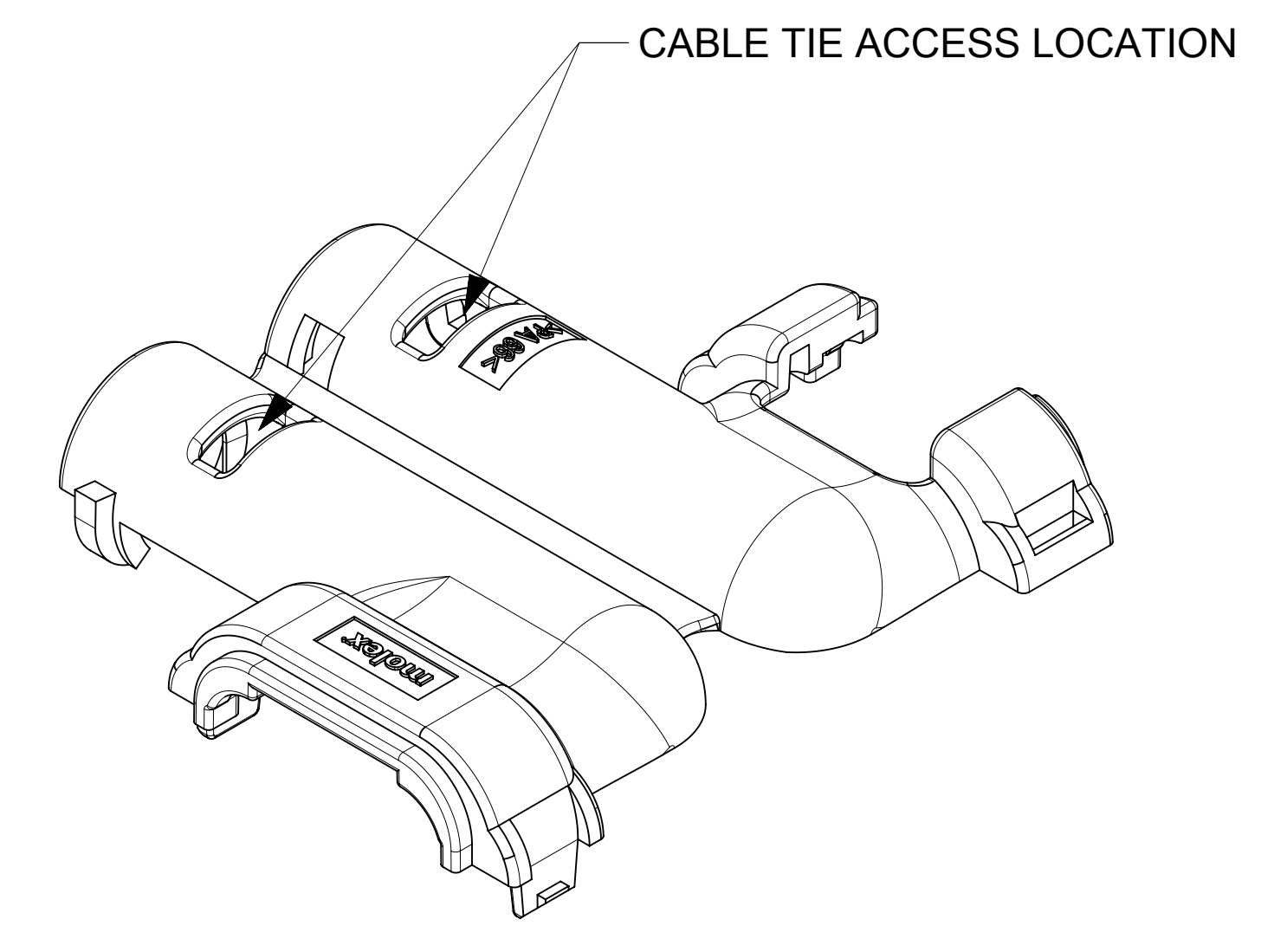
DIRECTION TYPE 1



DIRECTION TYPE 2

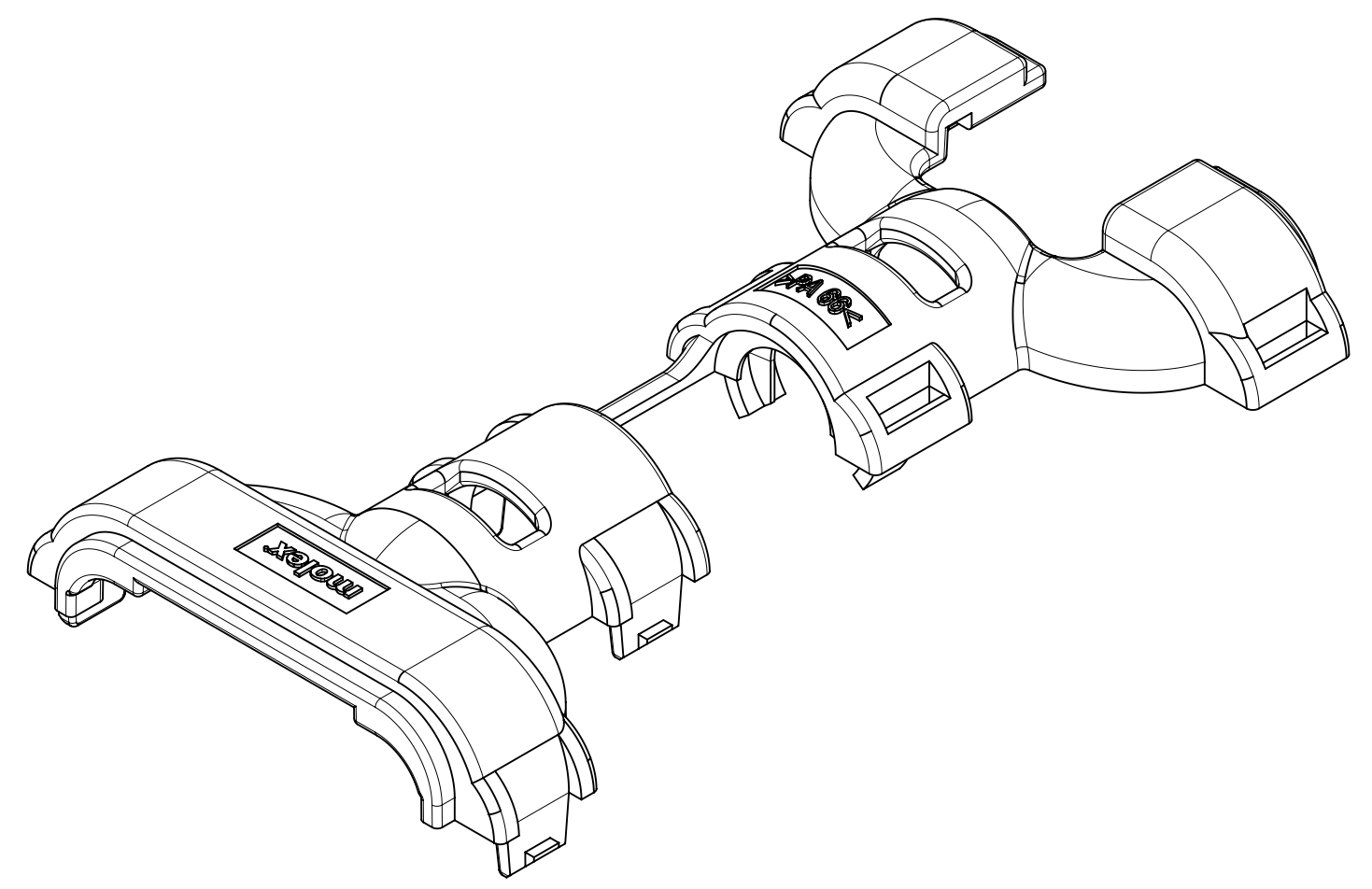


DIRECTION TYPE 3

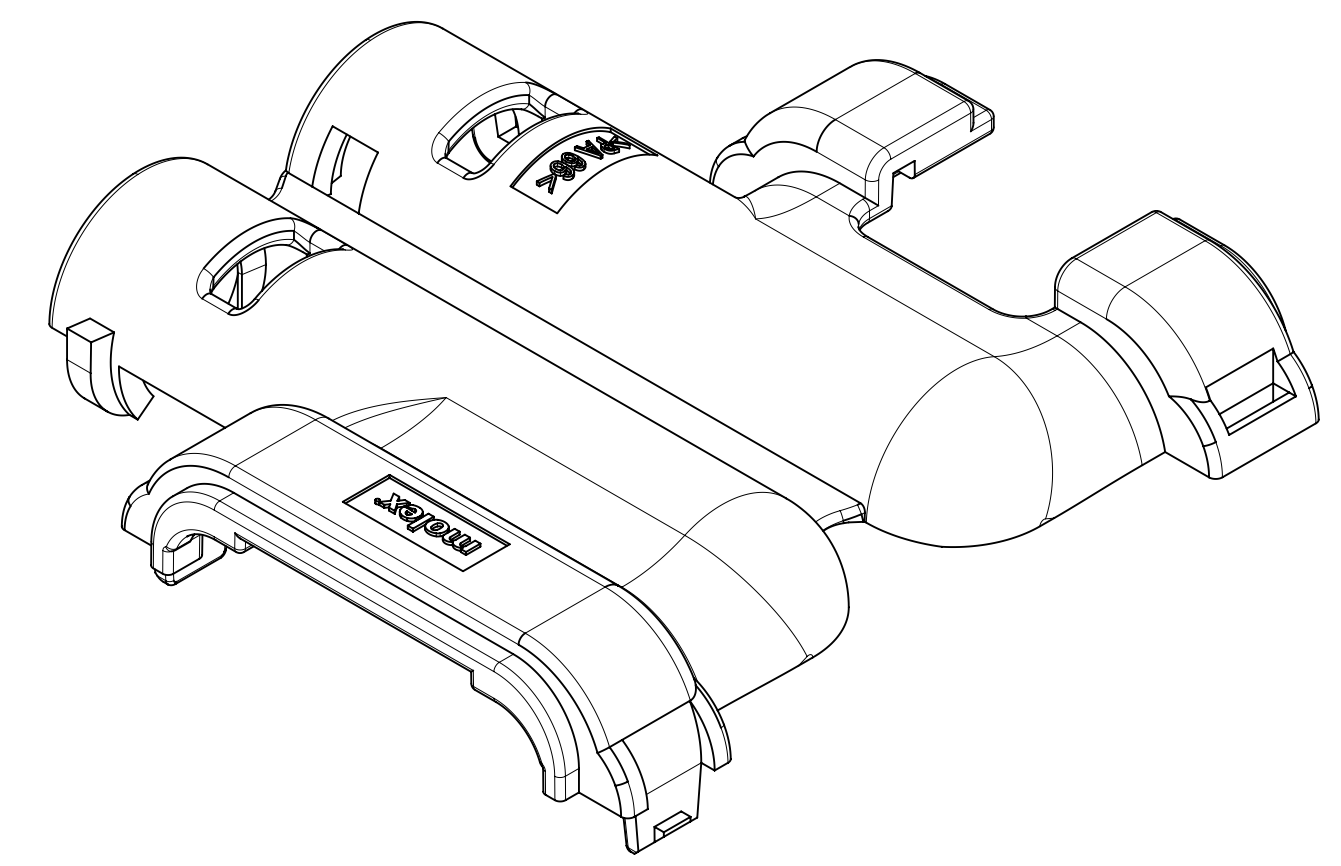


CABLE TIE ACCESS

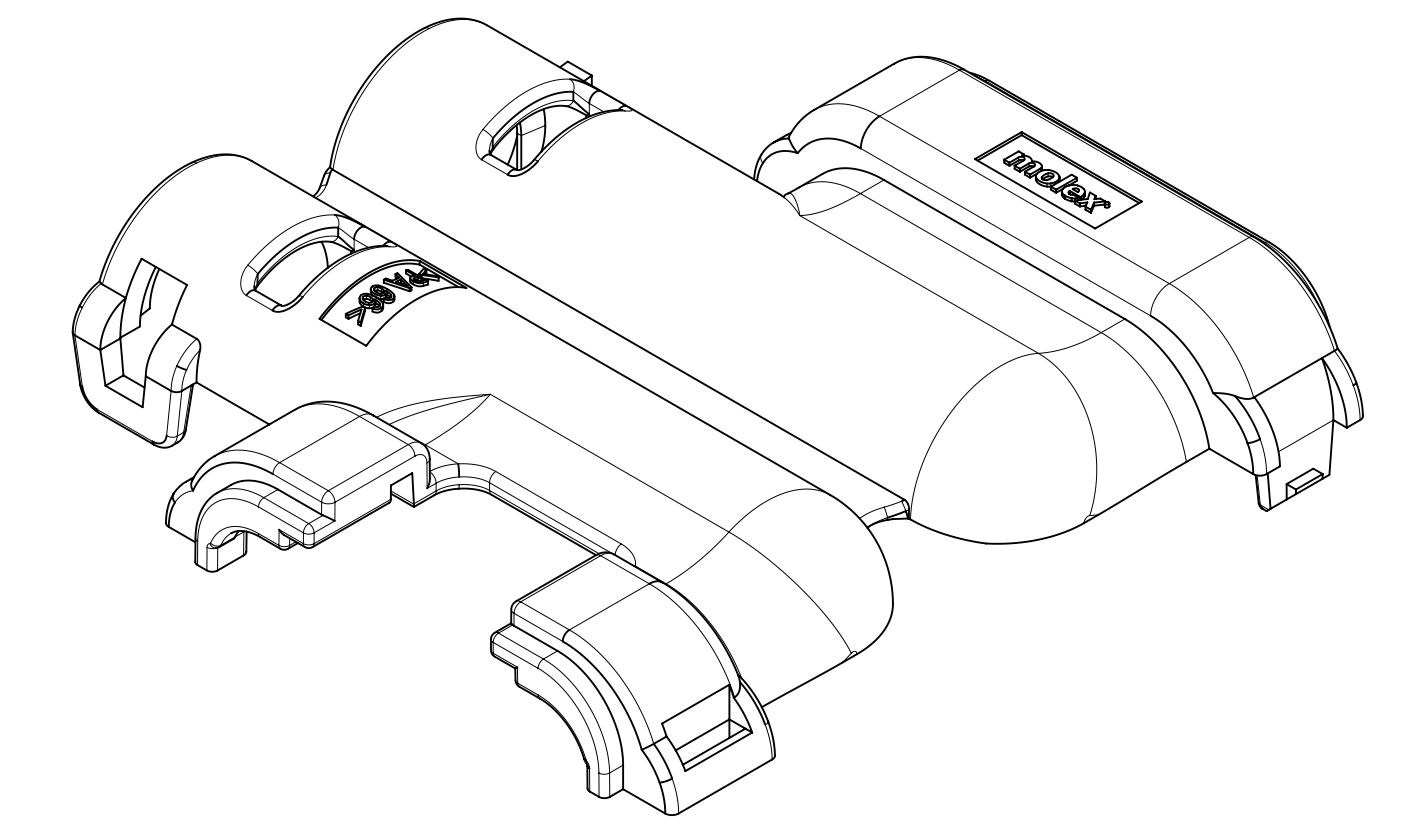
## 1X6 RECEPTACLE



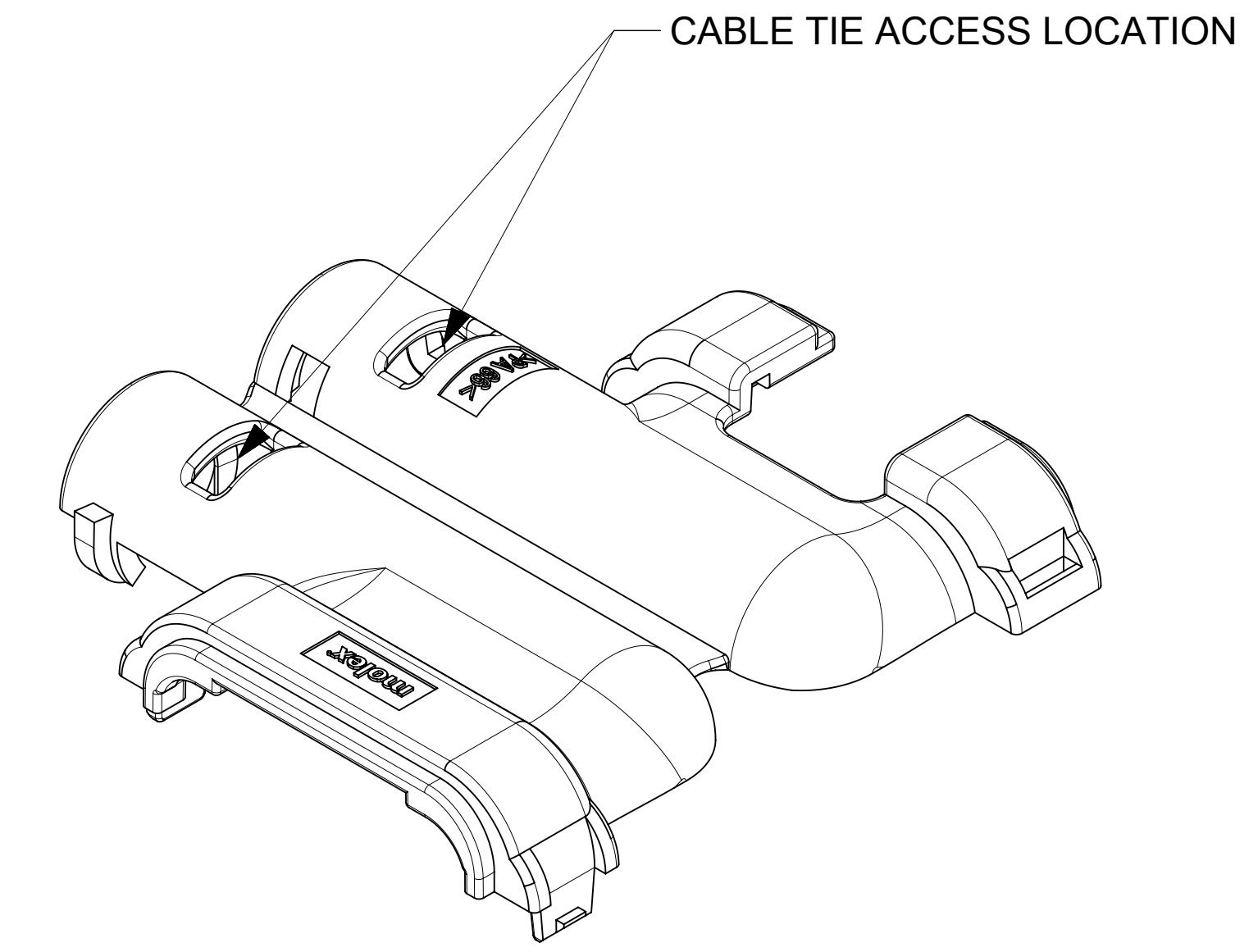
DIRECTION TYPE 1



DIRECTION TYPE 2



DIRECTION TYPE 3

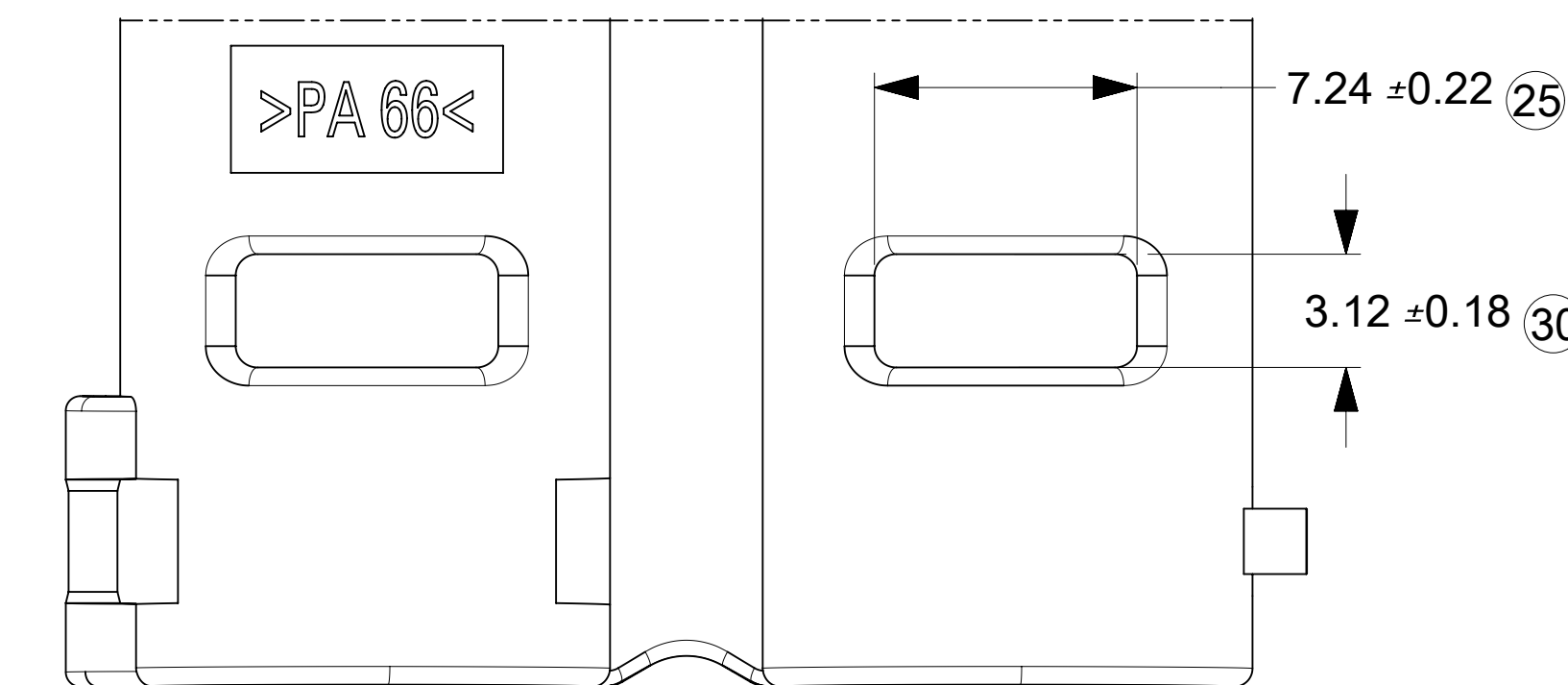
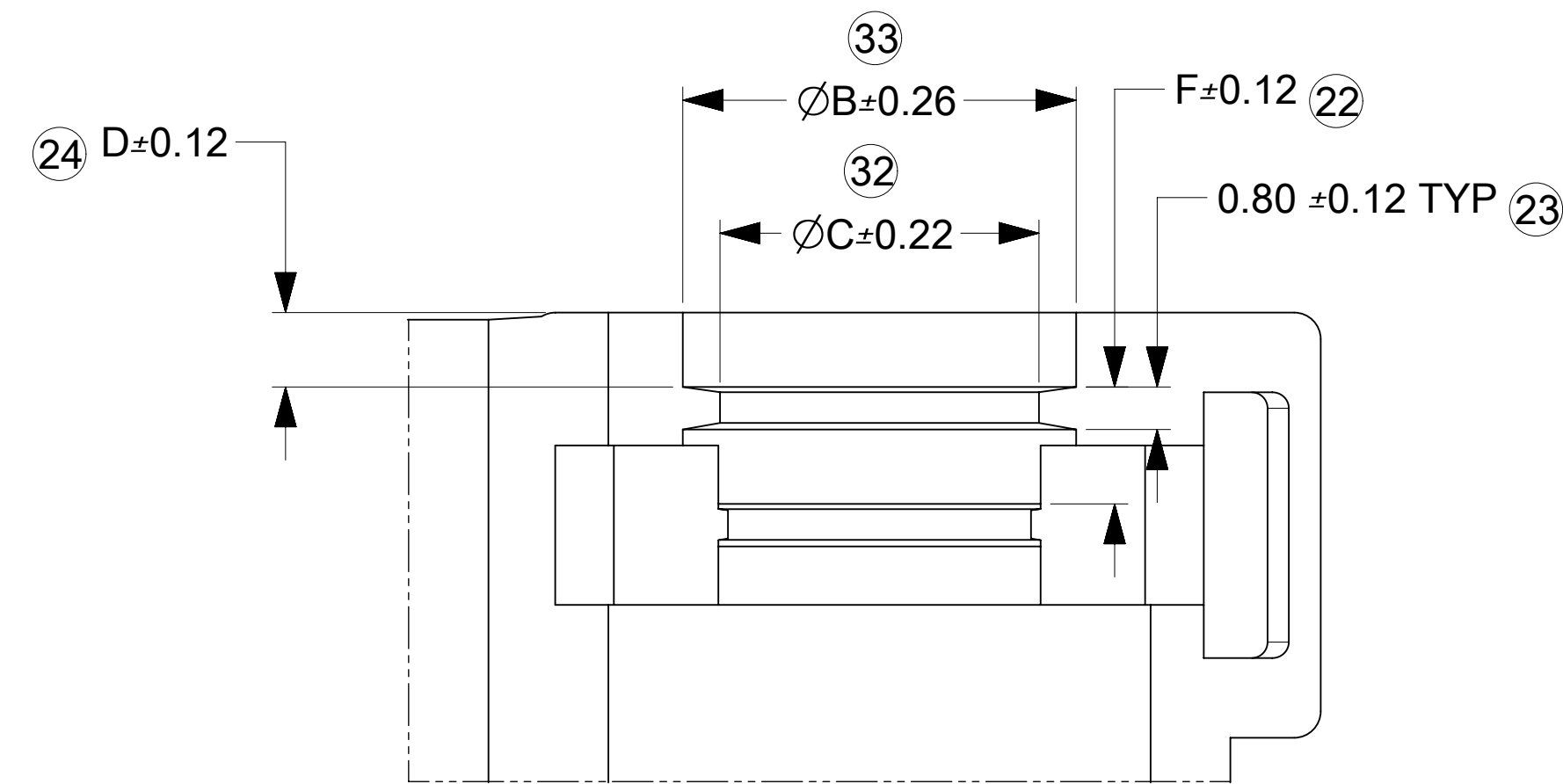
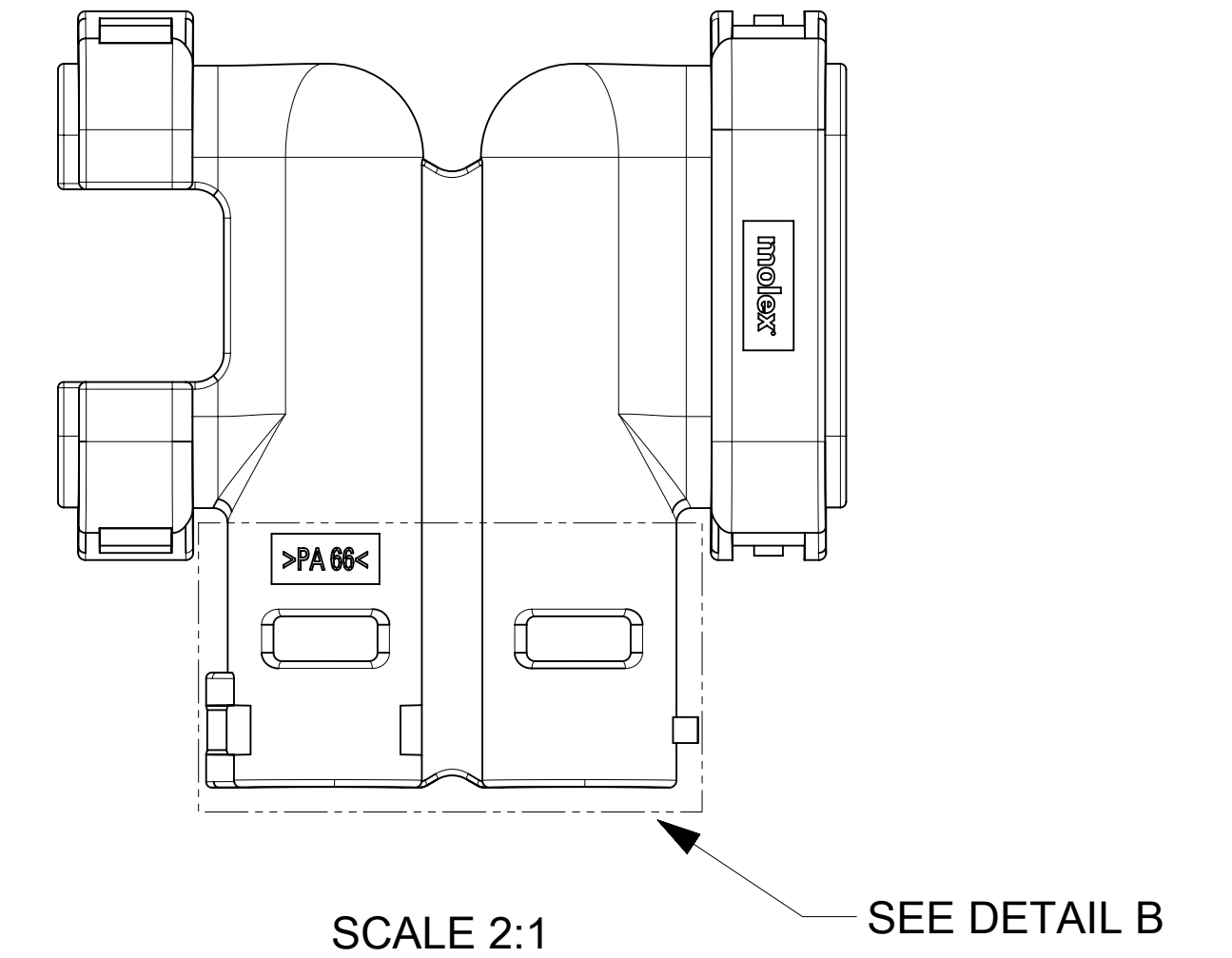
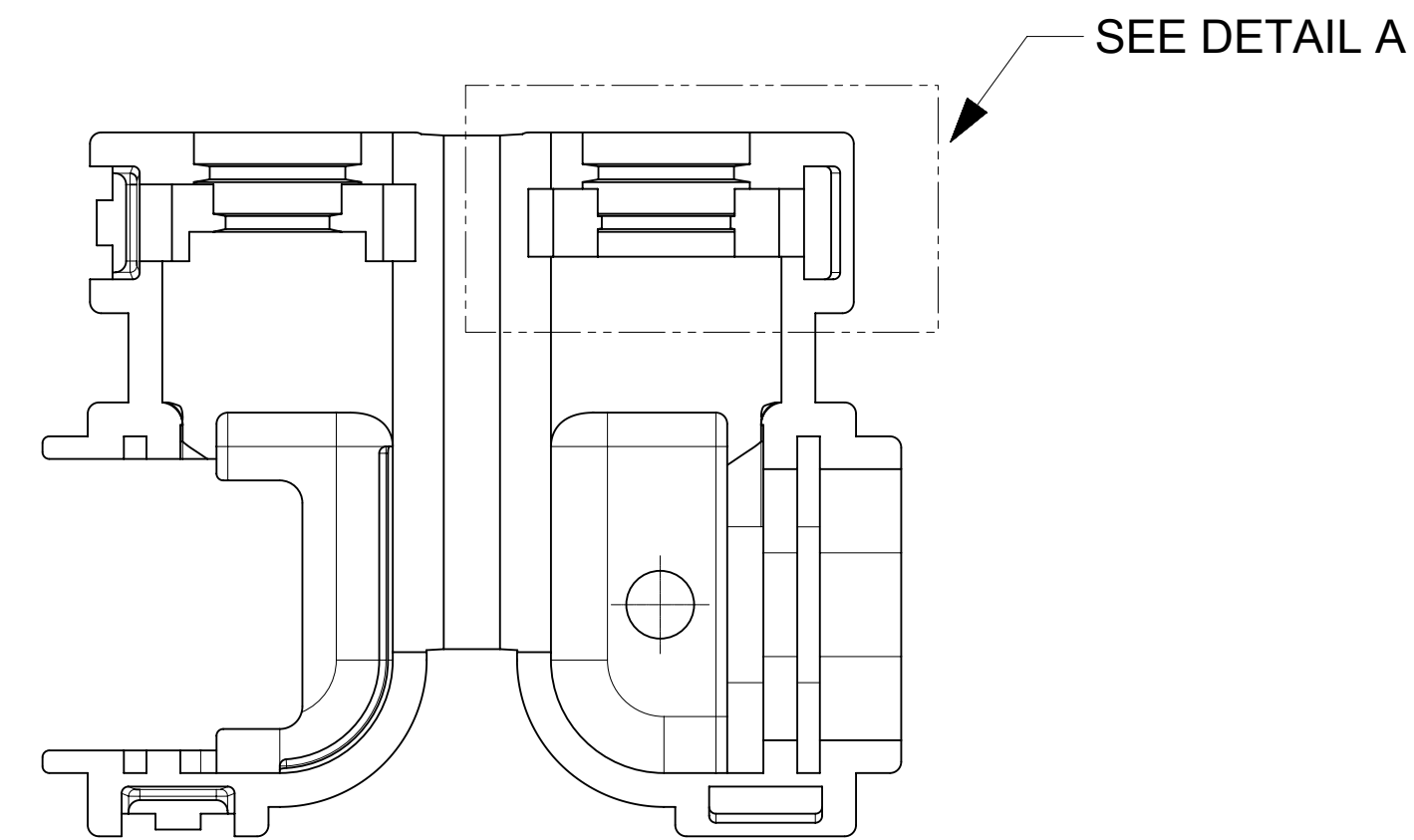
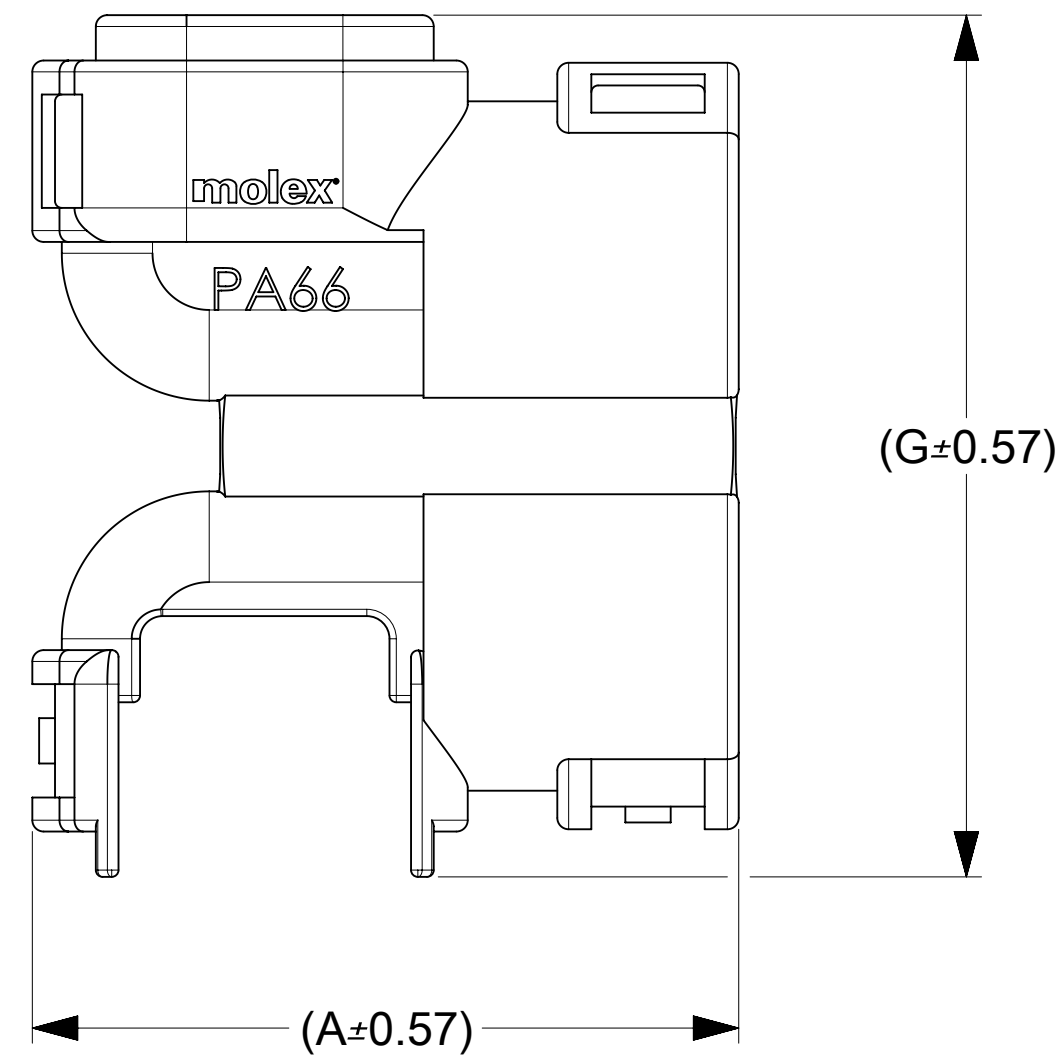
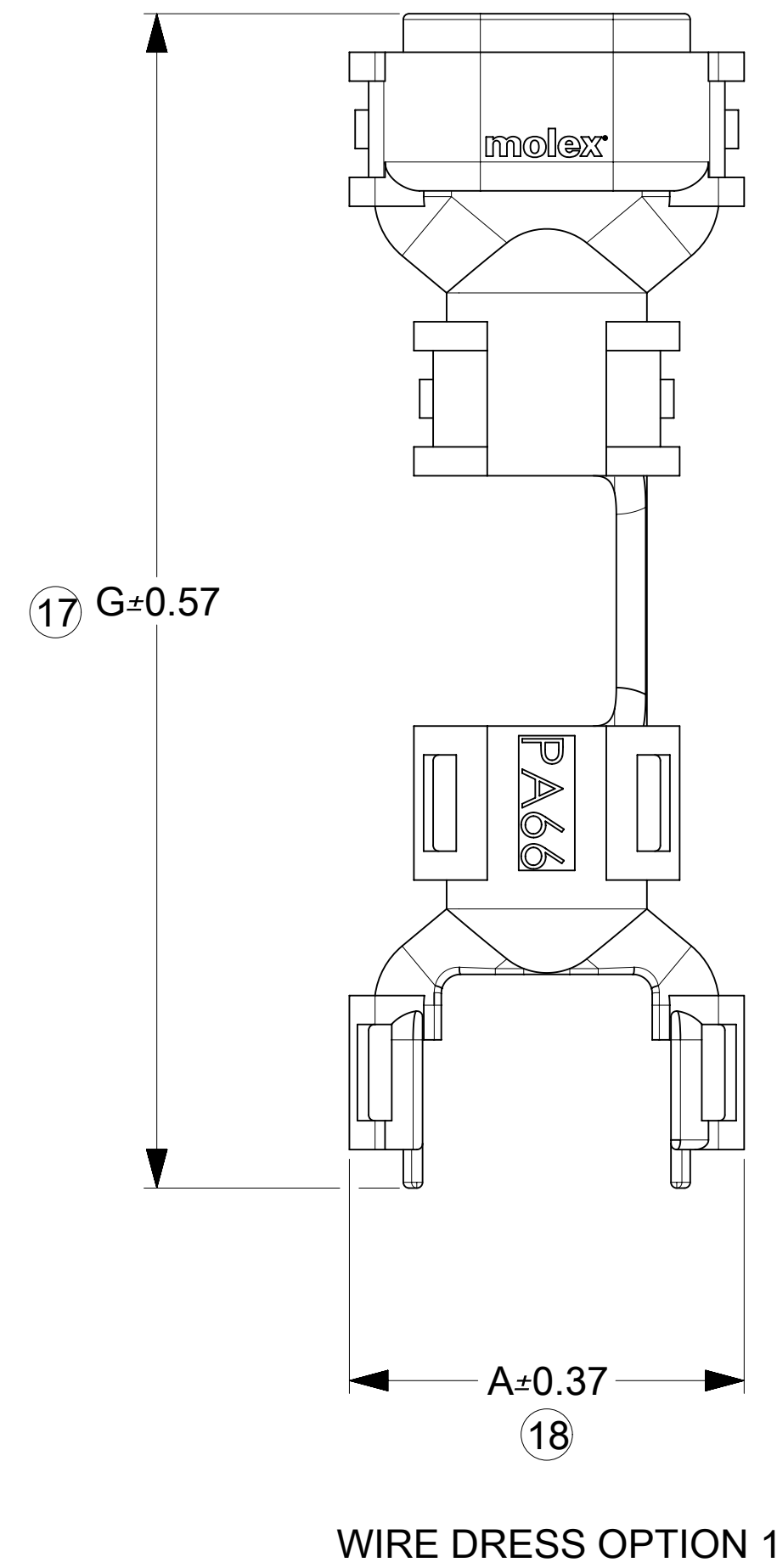


CABLE TIE ACCESS

<b>FUNCTIONAL SYMBOLS</b> FA = 0 FE = 0 FP = 0 <b>DIVISIONAL SYMBOLS</b>	THIS DRAWING CONTAINS INFORMATION THAT IS PROPRIETARY TO MOLEX ELECTRONIC TECHNOLOGIES, LLC AND SHOULD NOT BE USED WITHOUT WRITTEN PERMISSION		CURRENT REV DESC: MIGRATED TO NX, BALLOON NUMBERS ADDED				
	DIMENSION UNITS <b>mm</b>	SCALE <b>2.5:1</b>	GENERAL TOLERANCES (UNLESS SPECIFIED) ANGULAR TOL ± 3.0°			EC NO: 634349	
	4 PLACES ±	3 PLACES ±	2 PLACES ± 0.1	1 PLACE ± 0.3		DRWN: VRAMAKANTALA 2020/03/17 CHK'D: MVANSLAMBROU 2020/03/21 APPR: MVANSLAMBROU 2020/03/21	
	DRAFT WHERE APPLICABLE MUST REMAIN WITHIN DIMENSIONS	THIRD ANGLE PROJECTION	DRAWING <b>D-SIZE</b>	SERIES <b>160091</b>		INITIAL REVISION: DRWN: MVANSLAMBROU 2015/05/28 APPR: VKOSHY 2016/01/04	
<b>DOCUMENT STATUS</b> P1		<b>RELEASE DATE</b> 2020/03/21 11:41:05		DOCUMENT NUMBER <b>SD-160091-0001</b>	DOC TYPE <b>PSD</b>	DOC PART <b>001</b>	REVISION <b>C</b>
<b>SEE BOM</b>		<b>GENERAL MARKET</b>		<b>SHEET NUMBER</b> 3 OF 4			

CONVOLUTE INTERFACE / BACKSHELL DETAIL

DESCRIPTION	DIMENSIONS					
	A	B	C	D	F	G
1X2 WIRE DRESS OPTION 1	20.50	7.40	6.00	1.40	2.20	61.0
1X2 WIRE DRESS OPTION 2	31.15	7.40	6.00	1.40	2.20	38.0
1X2 WIRE DRESS OPTION 3	31.15	7.40	6.00	1.40	2.20	38.0
1X3 WIRE DRESS OPTION 1	24.60	7.40	6.00	1.40	2.20	61.0
1X3 WIRE DRESS OPTION 2	33.30	7.40	6.00	1.40	2.20	38.0
1X3 WIRE DRESS OPTION 3	33.30	7.40	6.00	1.40	2.20	38.0
1X4 WIRE DRESS OPTION 1	30.16	10.60	7.50	0.90	2.70	71.1
1X4 WIRE DRESS OPTION 2	49.98	10.60	7.50	0.90	2.70	54.8
1X4 WIRE DRESS OPTION 3	49.98	10.60	7.50	0.90	2.70	54.8
1X6 WIRE DRESS OPTION 1	38.16	10.60	7.50	0.90	2.70	71.1
1X6 WIRE DRESS OPTION 2	53.98	10.60	7.50	0.90	2.70	54.8
1X6 WIRE DRESS OPTION 3	53.98	10.60	7.50	0.90	2.70	54.8



CONVOLUTE INTERFACE

<b>FUNCTIONAL SYMBOLS</b> FA = 0 FC = 0 FP = 0 <b>DIVISIONAL SYMBOLS</b>	THIS DRAWING CONTAINS INFORMATION THAT IS PROPRIETARY TO MOLEX ELECTRONIC TECHNOLOGIES, LLC AND SHOULD NOT BE USED WITHOUT WRITTEN PERMISSION	DIMENSION UNITS: <b>mm</b> SCALE: <b>3:1</b>	CURRENT REV DESC: MIGRATED TO NX, BALLOON NUMBERS ADDED	<p>1.2MM RECEPTACLE WDC</p> <p>PRODUCT CUSTOMER DRAWING</p>					
	GENERAL TOLERANCES (UNLESS SPECIFIED) ANGULAR TOL ± 3.0°	EC NO: 634349 DRWN: VRAMAKANTALA 2020/03/17 CHK'D: MVANSLAMBROU 2020/03/21 APPR: MVANSLAMBROU 2020/03/21	INITIAL REVISION: DRWN: MVANSLAMBROU 2015/05/28 APPR: VKOSHY 2016/01/04				DOCUMENT NUMBER: <b>SD-160091-0001</b> DOC TYPE: PSD DOC PART: 001 REVISION: C		
	4 PLACES ± 3 PLACES ± 2 PLACES ± 0.1 1 PLACE ± 0.3 0 PLACES ±	DRAFT WHERE APPLICABLE MUST REMAIN WITHIN DIMENSIONS	THIRD ANGLE PROJECTION				DRAWING: <b>D-SIZE</b> SERIES: <b>160091</b>	MATERIAL NUMBER: SEE BOM CUSTOMER: GENERAL MARKET	SHEET NUMBER: 4 OF 4
	DOCUMENT STATUS: P1 RELEASE DATE: 2020/03/21 11:41:05								