

# Cable gland - HC-B-G-M40-EC-AL - 1411441


Please be informed that the data shown in this PDF Document is generated from our Online Catalog. Please find the complete data in the user's documentation. Our General Terms of Use for Downloads are valid (<http://phoenixcontact.com/download>)



EVO EMC cable gland with bayonet locking, B series, size M40, cable diameter: 19 - 27 mm



## Key Commercial Data

Packing unit	1 pc
GTIN	 4 046356 932400
GTIN	4046356932400

## Technical data

### Dimensions

Wrench size, union nut	43 mm
External cable diameter	19 mm ... 27 mm

### Ambient conditions

Degree of protection (IP)	IP66
	IP67
Degree of protection (NEMA)	4 (UL 50e)
	4X (UL 50e)
	12 (UL 50e)
Ambient temperature (operation)	-40 °C ... 125 °C (static)

### General

Type of the screw connection	M40
No. of conductors	1
Material	Die-cast aluminum, corrosion-resistant
Housing material	Die-cast aluminum, corrosion resistant
Cable gland material	Aluminum

# Cable gland - HC-B-G-M40-EC-AL - 1411441

## Technical data

### General

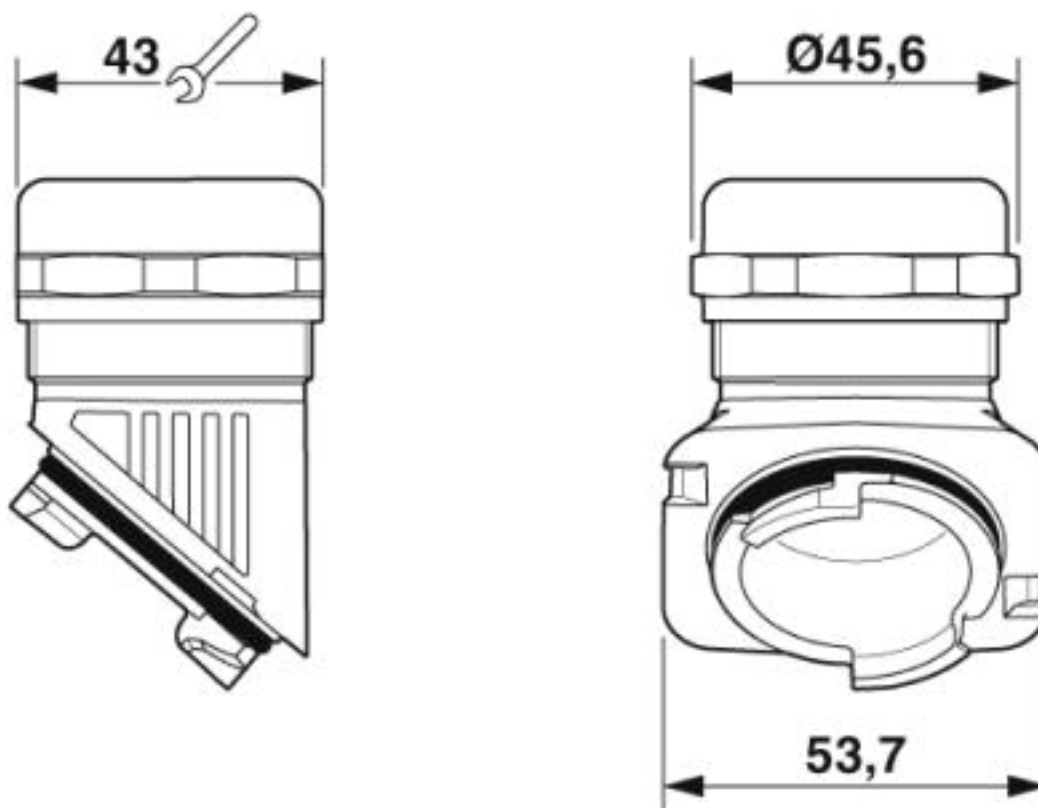
Material, pressure screw	Nickel-plated brass
Seal material	NBR
Cable seal material	NBR
Sealing material	NBR (O-ring)
Shielded	yes
Thread type on connection side	Bayonet B metal
Tightening torque, union nut	10.00 Nm
Color	silver

### Environmental Product Compliance

REACH SVHC	Lead 7439-92-1
China RoHS	Environmentally Friendly Use Period = 50
	For details about hazardous substances go to tab "Downloads", Category "Manufacturer's declaration"

## Drawings

Dimensional drawing



Dimensional drawing

# Cable gland - HC-B-G-M40-EC-AL - 1411441

## Approvals

### Approvals

---

#### Approvals





UL Recognized / cUL Recognized / EAC / cULus Recognized

---

#### Ex Approvals

---

### Approval details

UL Recognized		<a href="http://database.ul.com/cgi-bin/XYV/template/LISEXT/1FRAME/index.htm">http://database.ul.com/cgi-bin/XYV/template/LISEXT/1FRAME/index.htm</a>	E255026
cUL Recognized		<a href="http://database.ul.com/cgi-bin/XYV/template/LISEXT/1FRAME/index.htm">http://database.ul.com/cgi-bin/XYV/template/LISEXT/1FRAME/index.htm</a>	E255026
EAC			RU C- DE.AI30.B.01102
cULus Recognized			

---

Phoenix Contact 2019 © - all rights reserved  
<http://www.phoenixcontact.com>

PHOENIX CONTACT GmbH & Co. KG  
Flachsmarktstr. 8  
32825 Blomberg  
Germany  
Tel. +49 5235 300  
Fax +49 5235 3 41200  
<http://www.phoenixcontact.com>