

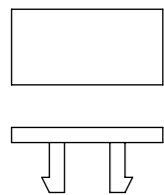
TABLE 1

MOLEX P/N	ENG. NO.	CABLE LENGTH (mm)	LED
1202470020	BEB403P-FBW-05	5000	YES
1202470021	BEB403P-FBW-10	10000	YES
1202470022	BEB403P-FBW-15	15000	YES
1202470023	BEB403P-FBW-20	20000	YES
1202470043	BEB4030-FBW-05	5000	NO
1202470044	BEB4030-FBW-10	10000	NO
1202470045	BEB4030-FBW-15	15000	NO

TABLE 2

ITEM	COMPONENT	MATERIAL	FINISH
1	INSERT	TPU	BLACK
2	CONTACT SOCKET	COPPER ALLOY	GOLD OVER NICKEL
3	O-RING	VITON	RED
4	RECEPTACLE SHELL	BRASS	NICKEL PLATED
5	HOUSING	PBT	BLACK
6	CABLE	TPU	BLACK
7	LABEL	ABS	WHITE
8	LABEL ADHESIVE	PE	WHITE
9	CABLE PLATE	PBT	BLACK
10	LED	NO LED = PA WITH LED = PA	BLACK TRANSPARENT
11	RESIN	EPOXY	TRANSPARENT

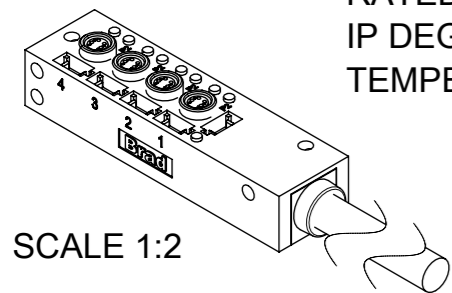
SCALE 2:1



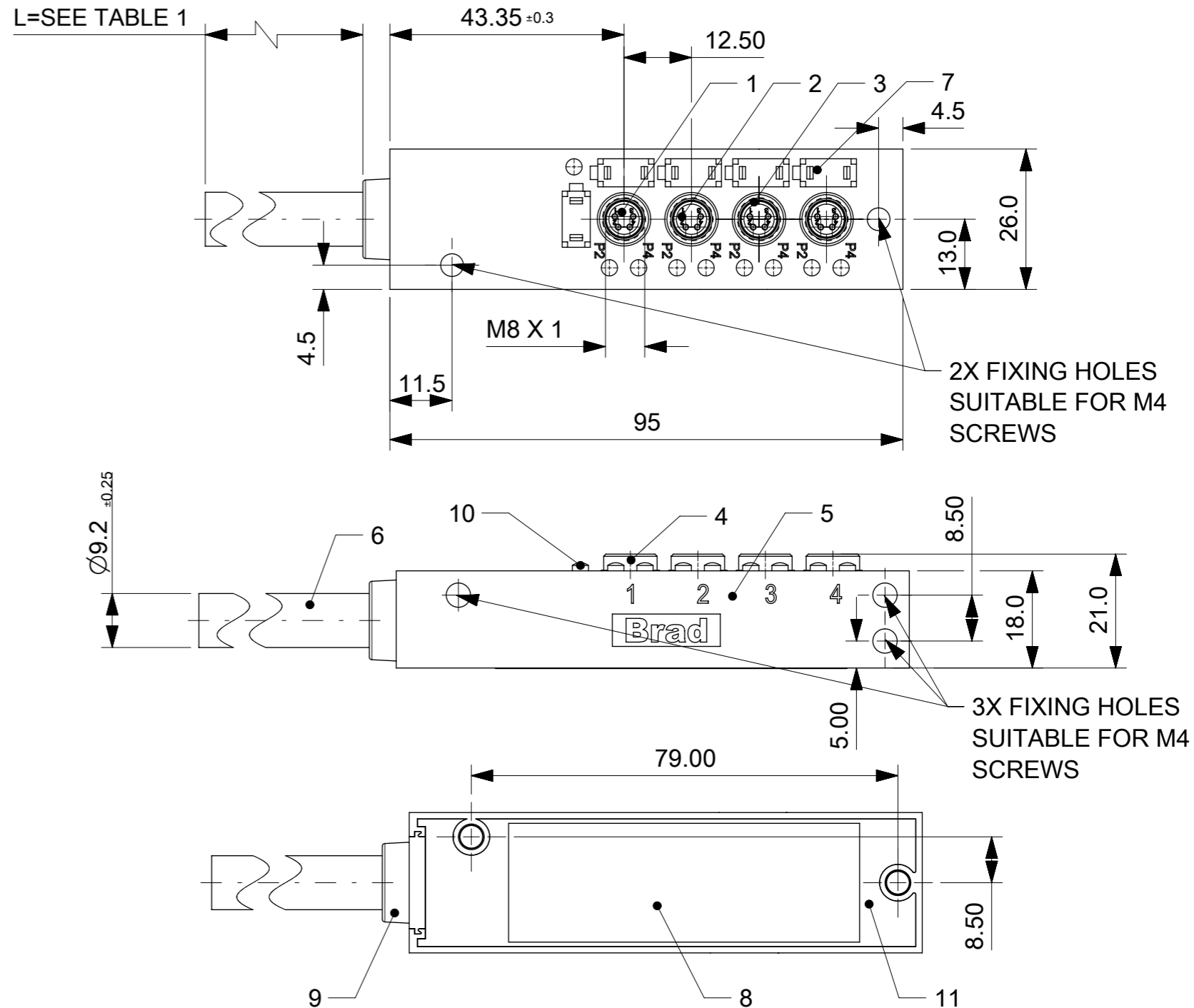
LABEL
5x packed in a bag.

GENERAL CHARACTERISTICS:

NOMINAL VOLTAGE: 24 V DC
 RATED CURRENT: 2 A PER PORT / 6 A MAX: TOTAL
 IP DEGREE OF PROTECTION: IP 68
 TEMPERATURE RANGE: -25°C to + 85°C



SCALE 1:2



CABLE LENGTH TOLERANCES

LENGTH	TOLERANCE
0m-1m	+40 mm
>1m-5m	+60 mm
>5m-10m	+80 mm
>10m-20m	+140 mm
>20m-30m	+160 mm
>30m	+1% length

FUNCTIONAL SYMBOLS		THIS DRAWING CONTAINS INFORMATION THAT IS PROPRIETARY TO MOLEX ELECTRONIC TECHNOLOGIES, LLC AND SHOULD NOT BE USED WITHOUT WRITTEN PERMISSION	
∇/A = 0	mm	SCALE	1:1
∇/E = 0	GENERAL TOLERANCES (UNLESS SPECIFIED)		
∇/P = 0	ANGULAR TOL ± °		
DIVISIONAL SYMBOLS		CURRENT REV DESC: ADDED CABLE TOLERANCE TABLE	
4 PLACES ±	EC NO: 699789		
3 PLACES ±	DRWN: MDHARMANTI 2022/03/11		
2 PLACES ± 0.2	CHK'D: RSILLER 2022/03/17		
1 PLACE ± 0.3	APPR: RSILLER 2022/03/17		
0 PLACES ± 0.5	INITIAL REVISION:		
DRAFT WHERE APPLICABLE MUST REMAIN WITHIN DIMENSIONS		THIRD ANGLE PROJECTION	DRAWING
		A3-SIZE	SERIES
		120247	MATERIAL NUMBER
		SEE TABLE 1	CUSTOMER
		GENERAL MARKET	SHEET NUMBER
		1 OF 2	

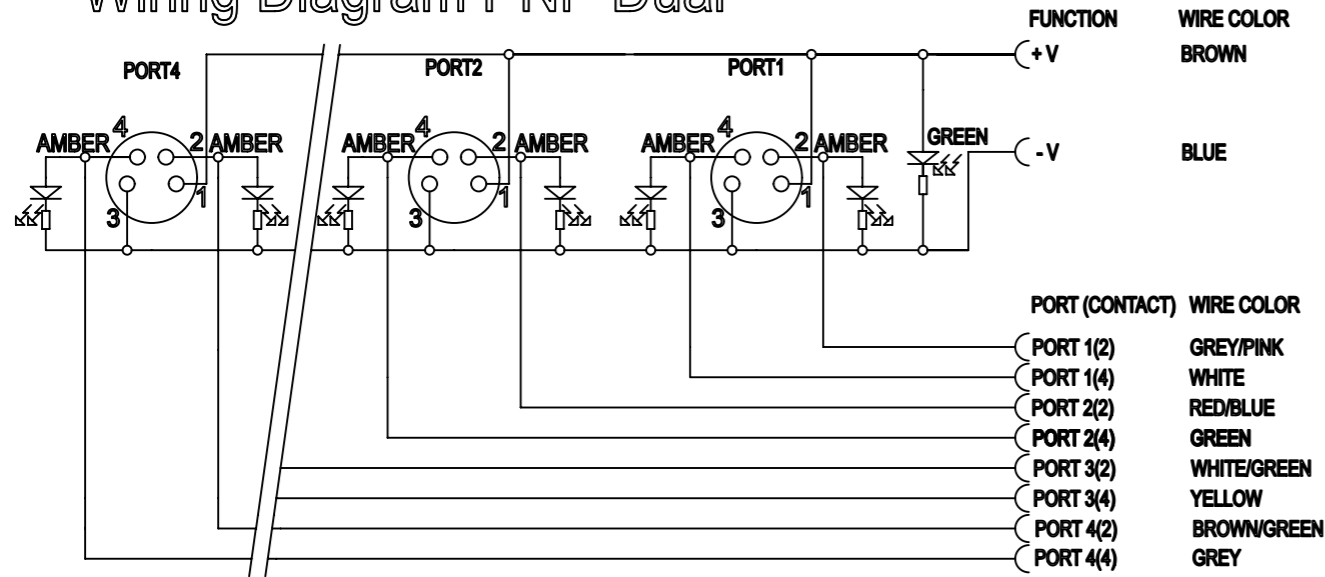
molex

MPIS M8 PNP NPN NOS 4P 4PT BK XM DUAL

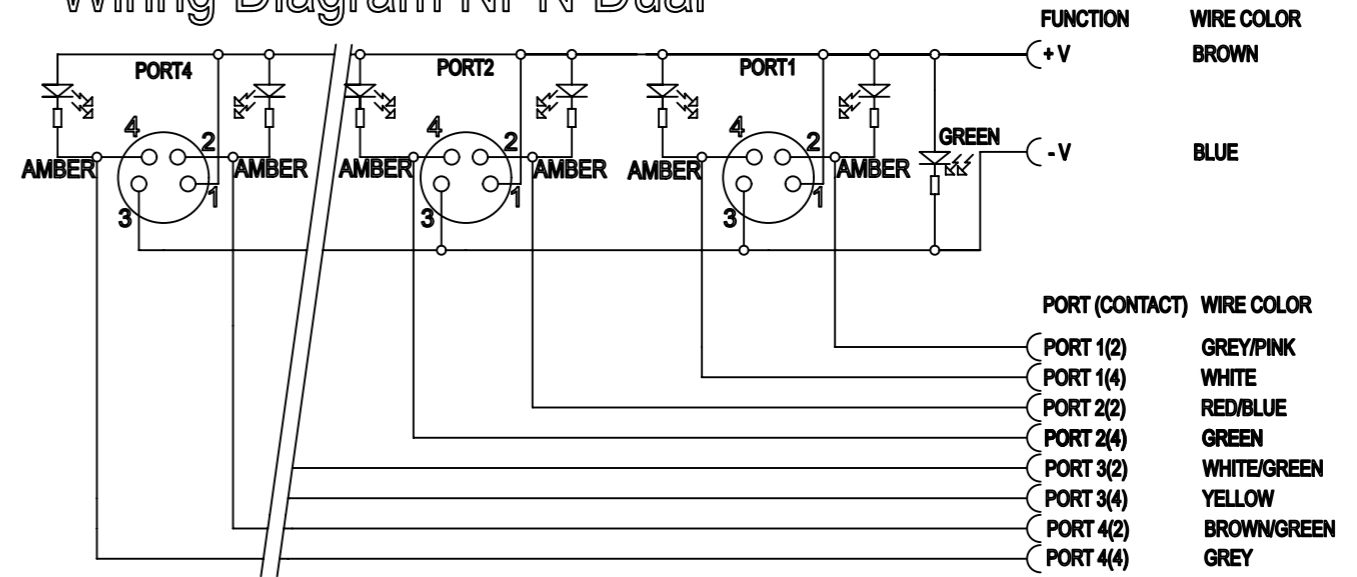
PRODUCT CUSTOMER DRAWING

DOCUMENT NUMBER: 1202470020 | DOC TYPE: PSD | DOC PART: 000 | REVISION: B1

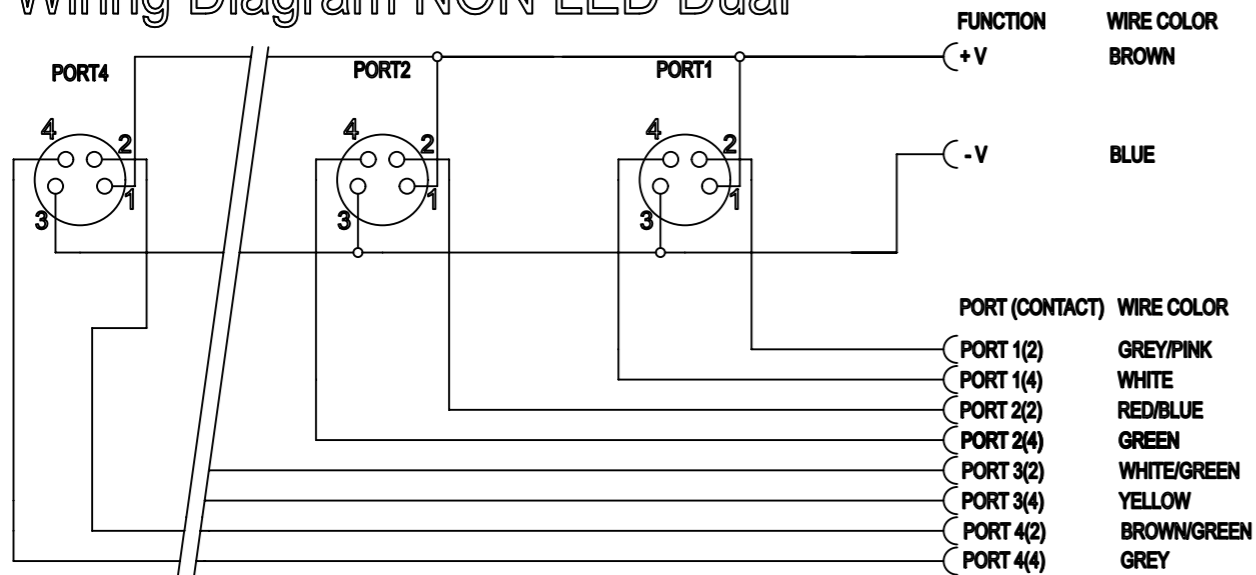
Wiring Diagram PNP Dual



Wiring Diagram NPN Dual



Wiring Diagram NON LED Dual



FUNCTIONAL SYMBOLS	THIS DRAWING CONTAINS INFORMATION THAT IS PROPRIETARY TO MOLEX ELECTRONIC TECHNOLOGIES, LLC AND SHOULD NOT BE USED WITHOUT WRITTEN PERMISSION						
	$\nabla_A = 0$ $\nabla_E = 0$ $\nabla_V = 0$	DIMENSION UNITS: mm SCALE: 1:1				CURRENT REV DESC: ADDED CABLE TOLERANCE TABLE EC NO: 699789 DRWN: MDHARMANTI 2022/03/11 CHK'D: RSILLER 2022/03/17 APPR: RSILLER 2022/03/17	MPIS M8 PNP NPN NOS 4P 4PT BK XM DUAL
DIVISIONAL SYMBOLS	GENERAL TOLERANCES (UNLESS SPECIFIED)		PRODUCT CUSTOMER DRAWING				
	ANGULAR TOL ± °		DOCUMENT NUMBER				
	4 PLACES ±		1202470020				
	3 PLACES ±		DOC TYPE DOC PART REVISION				
2 PLACES ± 0.2		PSD 000 B1					
1 PLACE ± 0.3		INITIAL REVISION:					
0 PLACES ± 0.5		DRWN: ULETTENMEIER 2015/01/20					
DRAFT WHERE APPLICABLE MUST REMAIN WITHIN DIMENSIONS		THIRD ANGLE PROJECTION	DRAWING	SERIES	MATERIAL NUMBER	CUSTOMER	SHEET NUMBER
			A3-SIZE	120247	SEE TABLE 1	GENERAL MARKET	2 OF 2