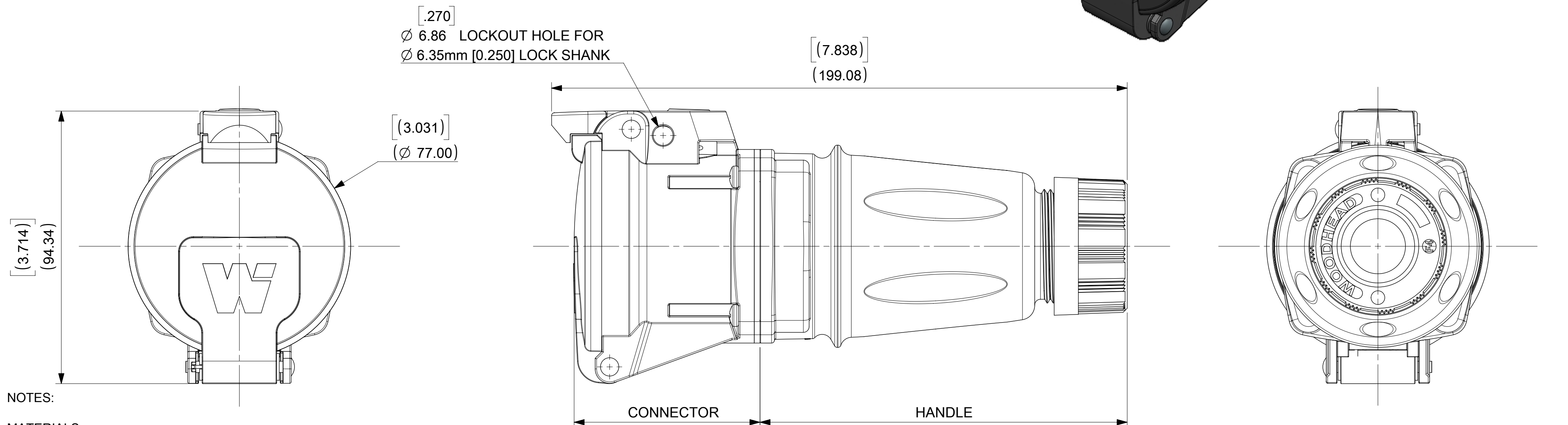
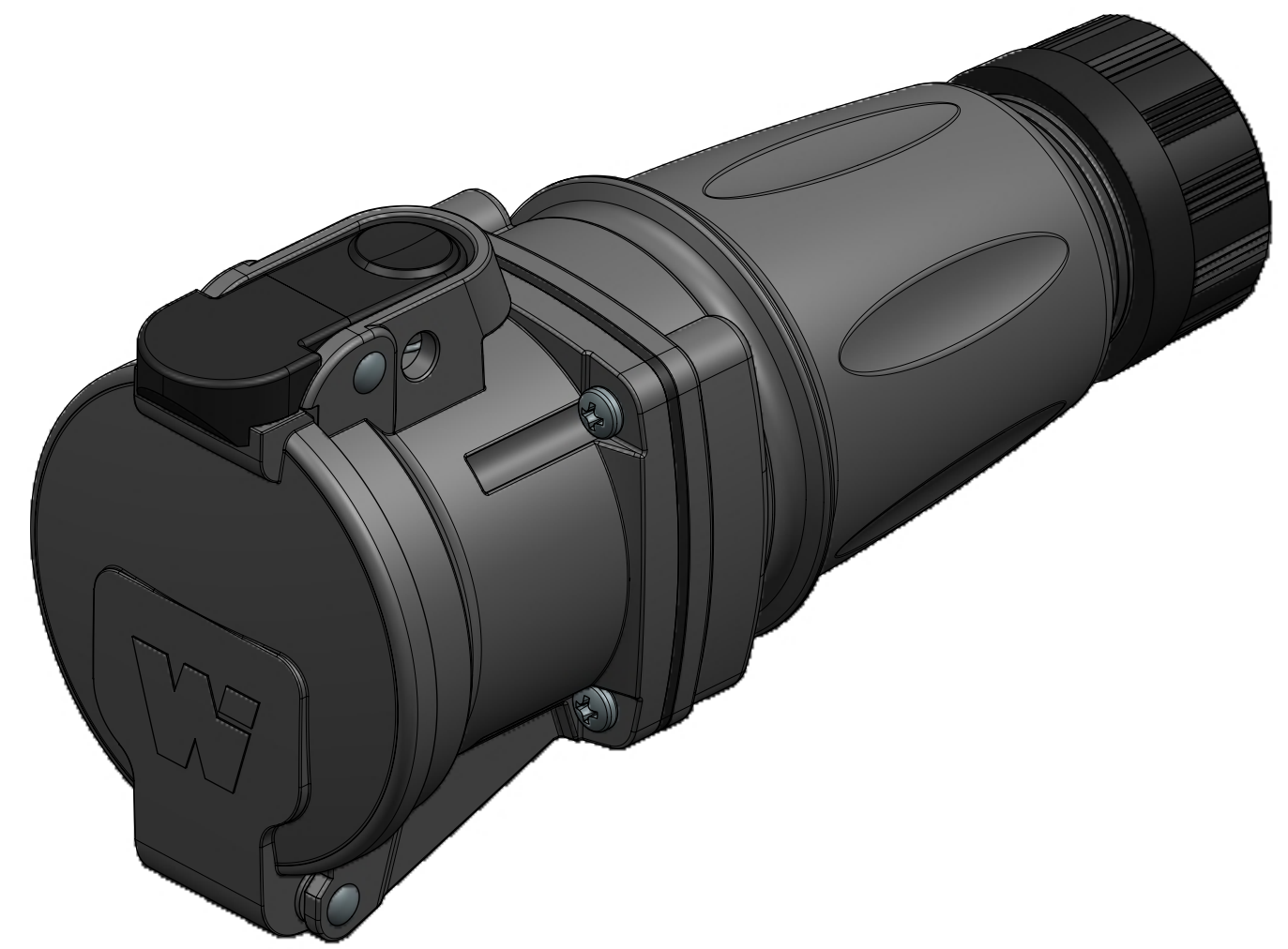


MATERIAL NUMBER	ENG NO.	DESCRIPTION	INSULATOR KEYING POSITION	HORSEPOWER RATING
1122190029	ARC30FHA01	ARC 30A FH 125VAC 1P+N+G	7	1 HP
1122190030	ARC30FHB02	ARC 30A FH 250VAC 2P+G		3 HP
1122190031	ARC30FHB03	ARC 30A FH 250VAC 3P+G		5 HP
1122190032	ARC30FHAB04	ARC 30A FH 125/250VAC 2P+N+G		NA
1122190033	ARC30FHC02	ARC 30A FH 208VAC 2P+G	16	NA
1122190034	ARC30FHC03	ARC 30A FH 208VAC 3P+G		5 HP
1122190035	ARC30FHAC05	ARC 30A FH 120/208VAC 3P+N+G		NA
1122190036	ARC30FHD01	ARC 30A FH 277VAC 1P+N+G	4	NA
1122190037	ARC30FHE02	ARC 30A FH 480VAC 2P+G		NA
1122190038	ARC30FHE03	ARC 30A FH 480VAC 3P+G		10 HP
1122190039	ARC30FHDE05	ARC 30A FH 277/480VAC 3P+N+G		NA
1122190040	ARC30FHF02	ARC 30A FH 600VAC 2P+G	14	NA
1122190041	ARC30FHF03	ARC 30A FH 600VAC 3P+G		NA
1122190042	ARC30FHGF05	ARC 30A FH 347/600VAC 3P+N+G		NA



NOTES:

MATERIALS:
HOUSINGS AND INSULATORS: GLASS FILLED PBT
CONTACTS: COPPER ALLOY WITH A SILVER NICKEL TIP, SILVER PLATED
MOUNTING AND INTERFACE GASKETS: SILICONE
GROMMET - RUBBER
FRICTION RING - NATURAL POLYETHYLENE
COMPRESSION NUT - BLACK PBT
SELF TAPPING SCREWS - STAINLESS STEEL

RATINGS:
CURRENT: 30 AMPS
VOLTAGE AND HORSEPOWER: SEE TABLE
OPERATING TEMPERATURE: -25°C (-13°F) TO 60°C (140°F)
ENVIRONMENTAL: TYPE 4X, IP69K
WIRING CAPACITY: 12AWG MIN. TO 8 AWG MAX.
TORQUE TERMINAL SCREWS TO 1.7 N-M (15 in/lbs)
AGENCY: UL LISTING PENDING
SWITCH RATED RECEPTACLE/CONNECTOR
BRANCH CIRCUIT DISCONNECT SWITCH
MOTOR CIRCUIT DISCONNECT SWITCH IF HP RATED

CONNECTOR AND HANDLE ARE PACKAGED AS SUB-ASSEMBLIES AND WILL REQUIRE END USER ASSEMBLY.

GROMMET P/N	GROMMET COLOR	CABLE DIAMETER RANGE
1301800411	GRAY	12.7mm - 15.9mm (.500" - .625")
1301800283	ORANGE	15.9mm - 19.0mm (.625" - .750")
1301800413	BLACK	19.0mm - 22.2mm (.750" - .875")

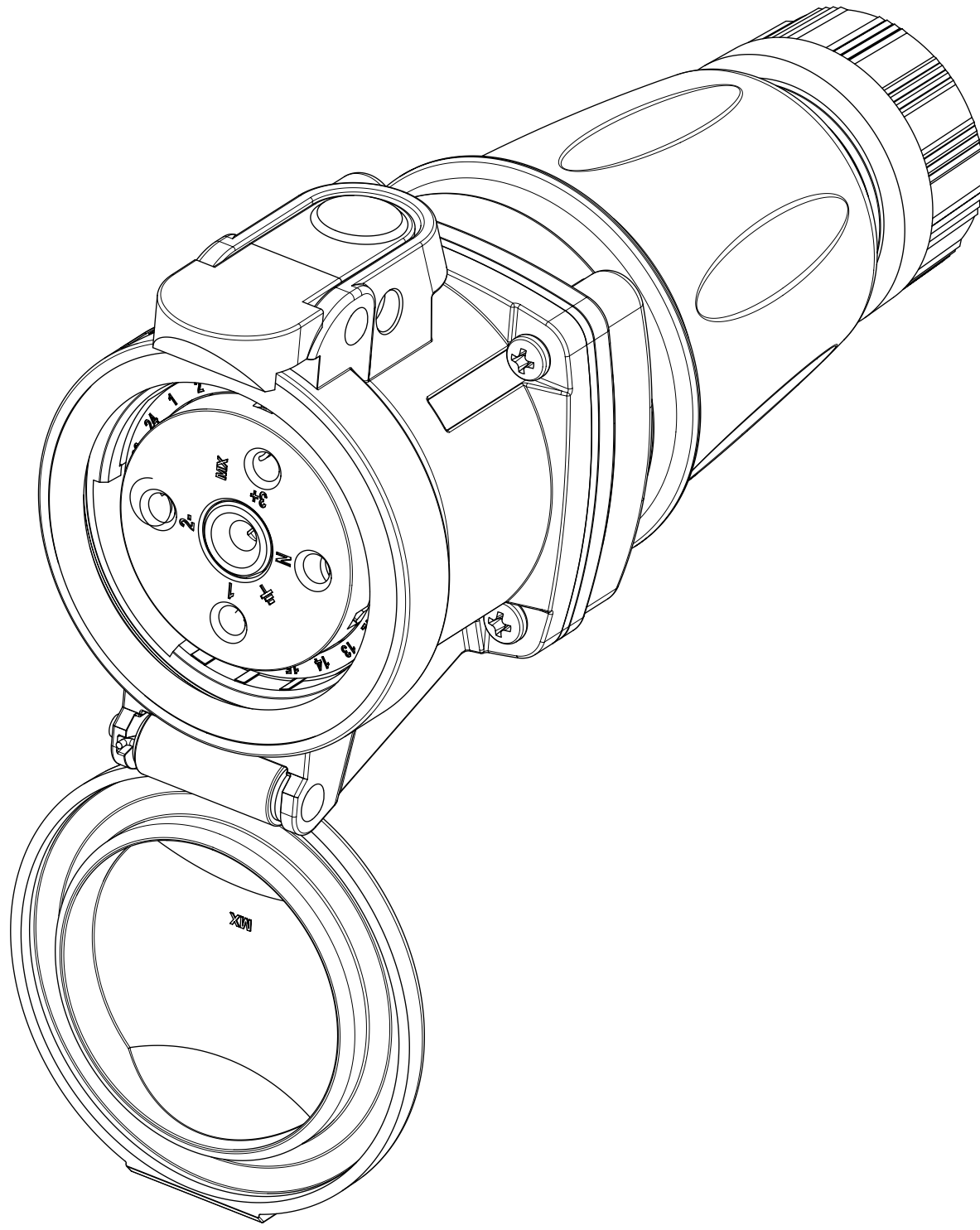
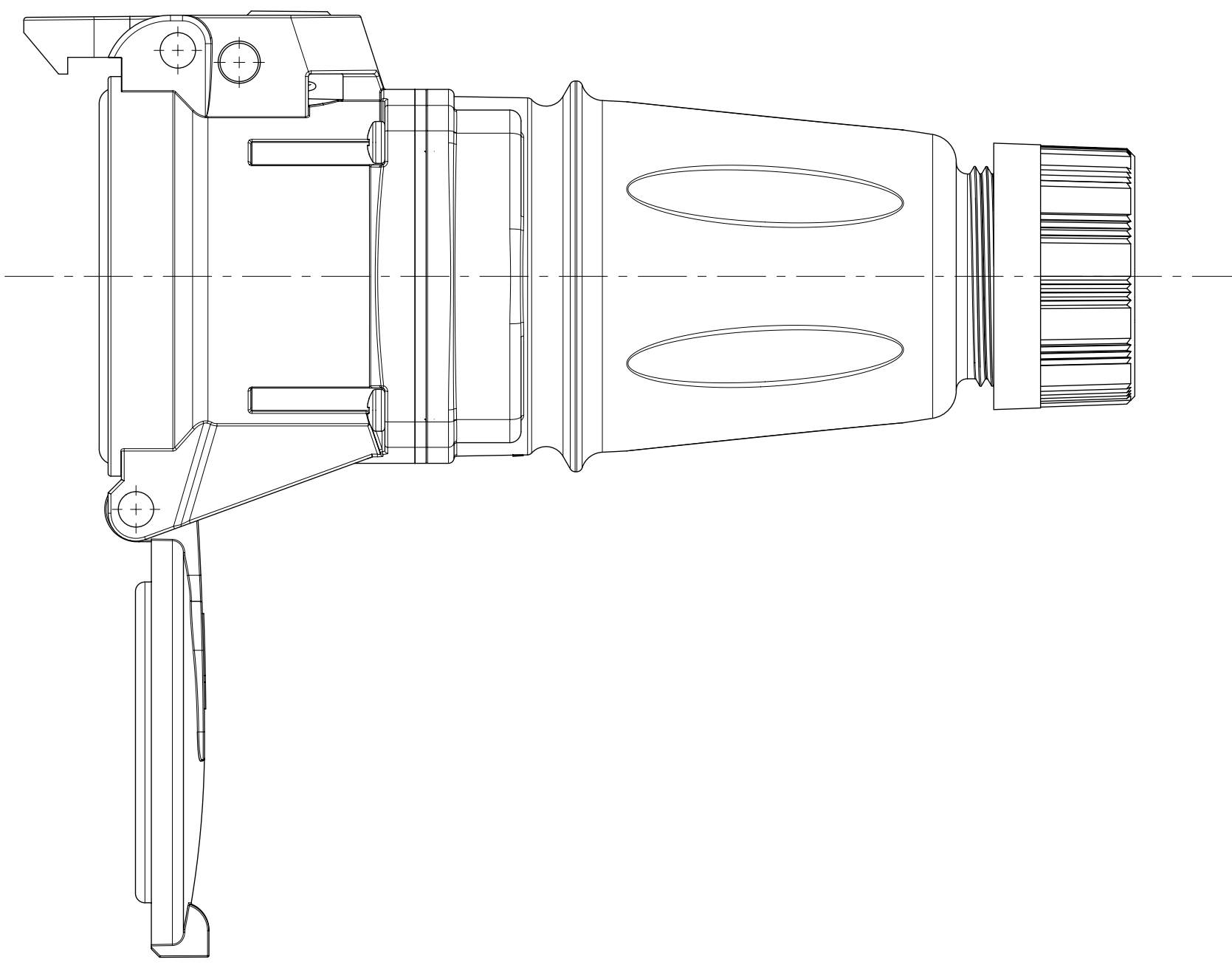
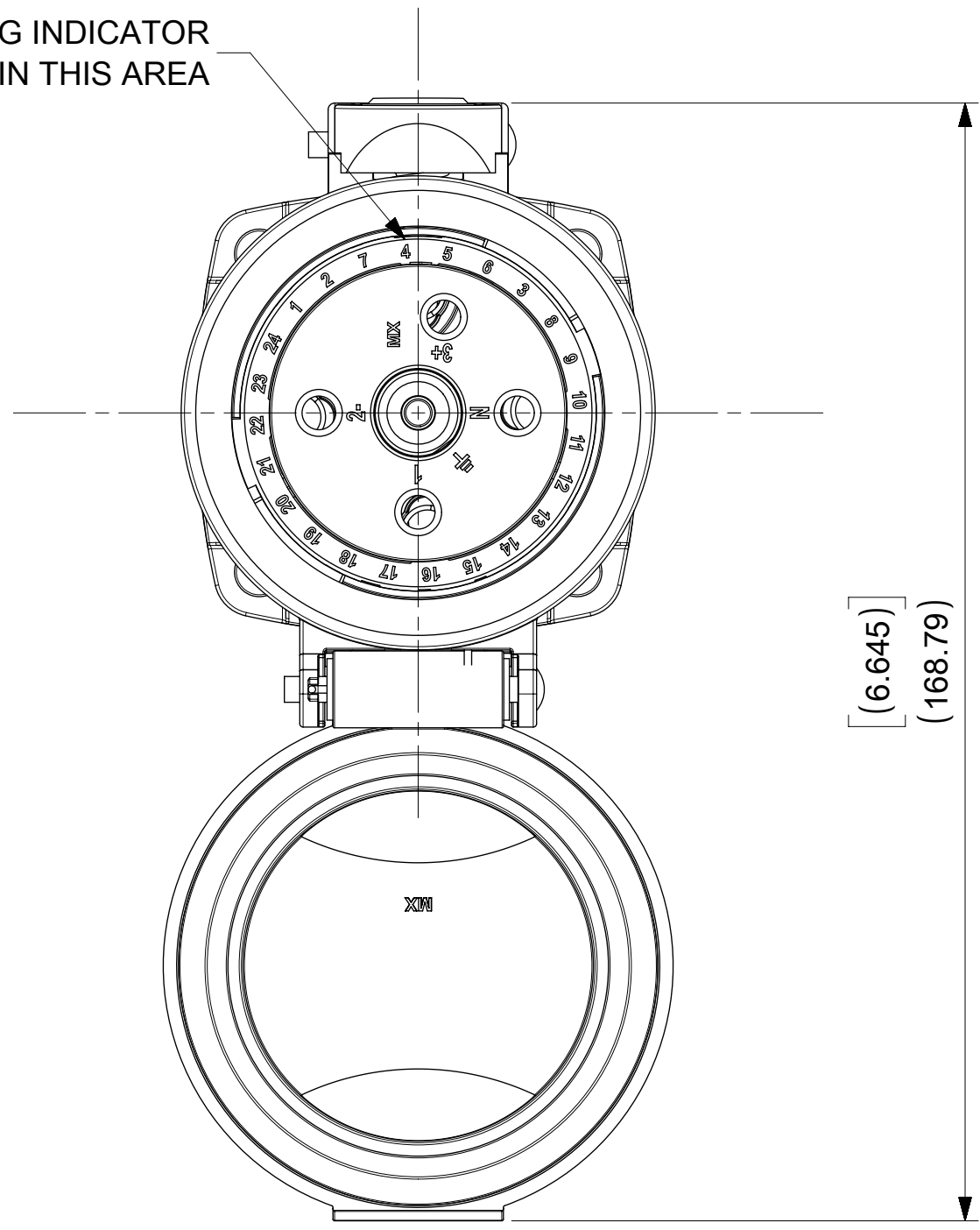
ARC30FHE03 SHOWN

SYMBOLS ▽ = 0 ▽ = 0 ▽ = 0 S = 0 ▽ = 0 ▽ = 0 ▽ = 0 □ = 0 ■ = 0 ▽ = 0	THIS DRAWING CONTAINS INFORMATION THAT IS PROPRIETARY TO MOLEX ELECTRONIC TECHNOLOGIES, LLC AND SHOULD NOT BE USED WITHOUT WRITTEN PERMISSION		CURRENT REV DESC: ADDED 10HP,NEW NOTES		 ARC 30A FH 480VAC 3P+G PRODUCT CUSTOMER DRAWING DOCUMENT NUMBER: 1122190038 DOC TYPE: PSD DOC PART: 000 REVISION: B2 MATERIAL NUMBER: 112219 CUSTOMER: GENERAL MARKET SHEET NUMBER: 1 OF 2
	DIMENSION UNITS INCH		SCALE 1:1		
	GENERAL TOLERANCES (UNLESS SPECIFIED)		EC NO: 604773 DRWN: MJANTELEZIO 2018/09/20 CHK'D: JFMURPHY 2018/11/05 APPR: JFMURPHY 2018/11/05		
	PLACES 4 PLACES ± 3 PLACES ± 2 PLACES ± 1 PLACE ± 0 PLACES ±		INITIAL REVISION: DRWN: DRWN BY XXXX/XX/XX APPR: APPR BY XXXX/XX/XX		
ANGULAR TOL ± °		THIRD ANGLE PROJECTION 		DRAWING C-SIZE	
DRAFT WHERE APPLICABLE MUST REMAIN WITHIN DIMENSIONS		SERIES 112219		SHEET NUMBER 1 OF 2	

THIS DRAWING REPLACES SD-112219-003.

DOCUMENT STATUS	P1	RELEASE DATE	2018/11/05 17:31:27
-----------------	----	--------------	---------------------

INSULATOR KEYING INDICATOR
LOCATED IN THIS AREA



ARC30FHE03 SHOWN

SYMBOLS DIMENSION UNITS SCALE CURRENT REV DESC: ADDED 10HP,NEW NOTES EC NO: 604773 DRWN: MJANTELEZIO 2018/09/20 CHK'D: JFMURPHY 2018/11/05 APPR: JFMURPHY 2018/11/05 INITIAL REVISION: DRWN: DRWN BY XXXX/XX/XX APPR: APPR BY XXXX/XX/XX DRAFT WHERE APPLICABLE MUST REMAIN WITHIN DIMENSIONS THIRD ANGLE PROJECTION DRAWING SERIES MATERIAL NUMBER CUSTOMER SHEET NUMBER	THIS DRAWING CONTAINS INFORMATION THAT IS PROPRIETARY TO MOLEX ELECTRONIC TECHNOLOGIES, LLC AND SHOULD NOT BE USED WITHOUT WRITTEN PERMISSION	molex ARC 30A FH 480VAC 3P+G			
	INCH GENERAL TOLERANCES (UNLESS SPECIFIED)				PRODUCT CUSTOMER DRAWING
	4 PLACES ± 3 PLACES ± 2 PLACES ± 1 PLACE ± 0 PLACES ±	MM INCH	1:1	DOCUMENT NUMBER 1122190038	
	ANGULAR TOL ± °	THIRD ANGLE PROJECTION 	DRAWING C-SIZE	DOC TYPE PSD	DOC PART 000
	DIMENSION UNITS INCH	SCALE 1:1	CURRENT REV DESC: ADDED 10HP,NEW NOTES EC NO: 604773 DRWN: MJANTELEZIO 2018/09/20 CHK'D: JFMURPHY 2018/11/05 APPR: JFMURPHY 2018/11/05 INITIAL REVISION: DRWN: DRWN BY XXXX/XX/XX APPR: APPR BY XXXX/XX/XX	DOC PART 000	REVISION B2
	DRAFT WHERE APPLICABLE MUST REMAIN WITHIN DIMENSIONS	THIRD ANGLE PROJECTION 	DRAWING C-SIZE	MATERIAL NUMBER 112219	CUSTOMER GENERAL MARKET
	DIMENSION UNITS INCH	SCALE 1:1	CURRENT REV DESC: ADDED 10HP,NEW NOTES EC NO: 604773 DRWN: MJANTELEZIO 2018/09/20 CHK'D: JFMURPHY 2018/11/05 APPR: JFMURPHY 2018/11/05 INITIAL REVISION: DRWN: DRWN BY XXXX/XX/XX APPR: APPR BY XXXX/XX/XX	DOC TYPE PSD	DOC PART 000
	ANGULAR TOL ± °	THIRD ANGLE PROJECTION 	DRAWING C-SIZE	MATERIAL NUMBER 112219	CUSTOMER GENERAL MARKET
	DIMENSION UNITS INCH	SCALE 1:1	CURRENT REV DESC: ADDED 10HP,NEW NOTES EC NO: 604773 DRWN: MJANTELEZIO 2018/09/20 CHK'D: JFMURPHY 2018/11/05 APPR: JFMURPHY 2018/11/05 INITIAL REVISION: DRWN: DRWN BY XXXX/XX/XX APPR: APPR BY XXXX/XX/XX	DOC TYPE PSD	DOC PART 000