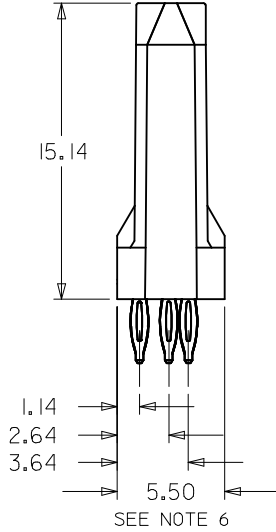
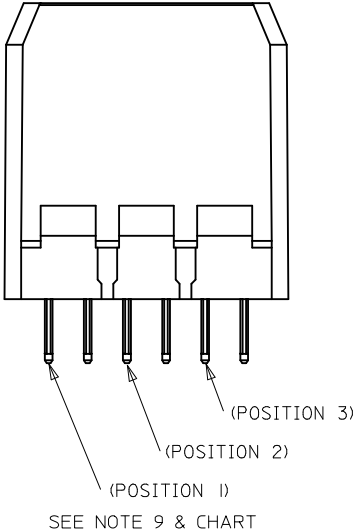
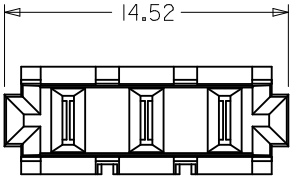
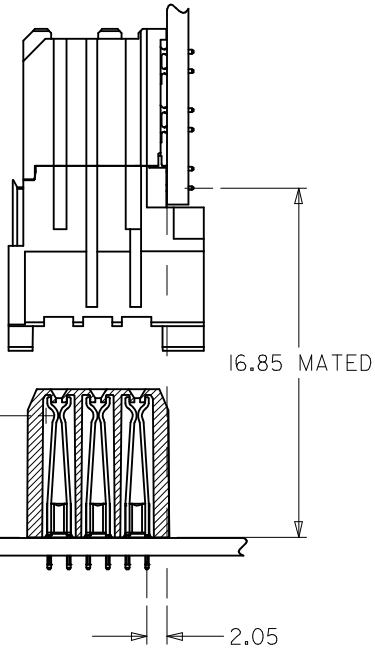
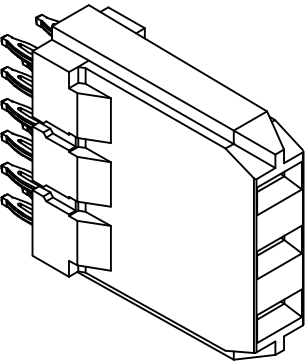


10 9 8 7 6 5 4 3 2 1



NOTES:

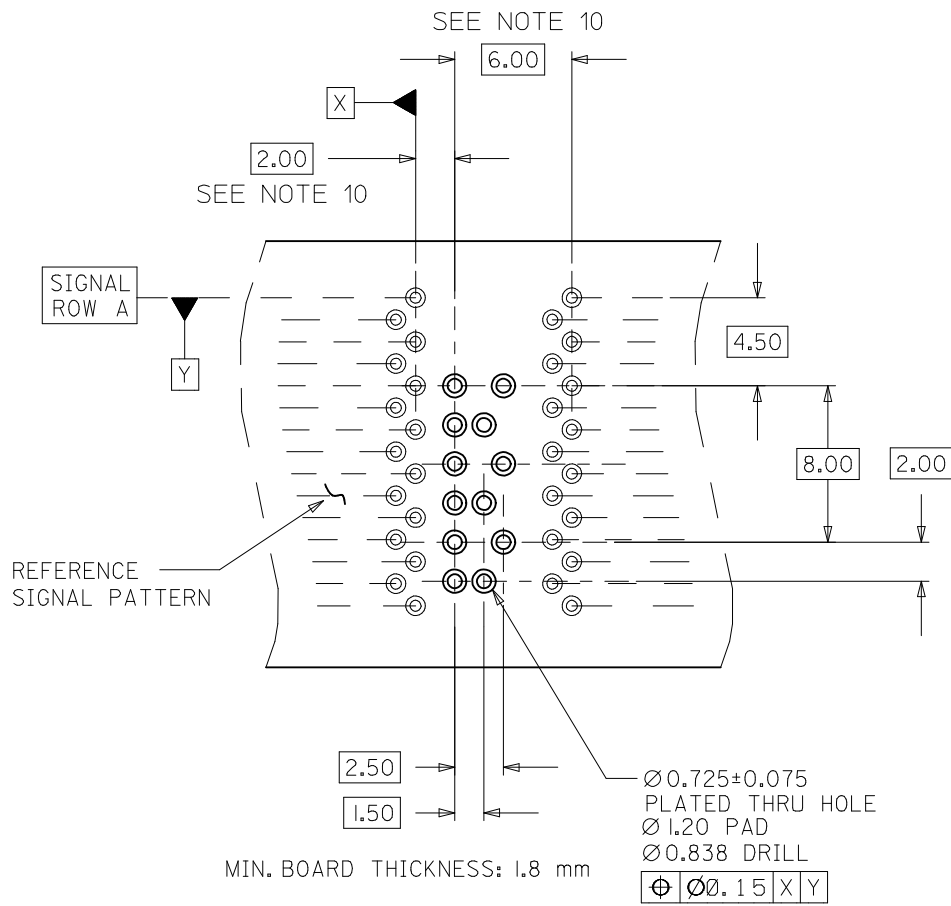
- MATERIALS:
HOUSING - LIQUID CRYSTAL POLYMER (LCP)
UL94 V-0 RATED, COLOR: BLACK
TERMINAL - COPPER ALLOY
- FINISH: 30 MICROINCH MINIMUM GOLD ON MATING SURFACE;
MATTE TIN (Sn) ON TAILS; NICKEL OVERALL.
- FINISH: 50 MICROINCH MINIMUM GOLD ON MATING SURFACE;
MATTE TIN (Sn) ON TAILS; NICKEL OVERALL.
- FINISH: 50 MICROINCH MINIMUM GOLD ON MATING SURFACE;
TIN / LEAD (Sn/Pb) ON TAILS; NICKEL OVERALL.
- THIS PART CONFORMS TO PRODUCT SPECIFICATION
PS-74031-999.
- USE 6.00 mm NOMINAL FOR BACKPLANE LAYOUT.
- DIMENSION MEASURED FROM BOTTOM OF HOUSING.
- PACKED PER PK-70873-0876.
- CONTACT NOT PRESENT AT POSITION ON -84** ASSEMBLIES.
- THIS DIMENSION TO BE MULTIPLE OF 2.00 mm AS REQUIRED.

TIN / LEAD PLATING				MATTE TIN PLATING			
ASSEMBLY #	CONTACT PLATING	OPEN LOC.	# CONTACTS	ASSEMBLY #	CONTACT PLATING	OPEN LOC.	# CONTACTS
74029-8950	SEE NOTE 4	N/A	3	74029-8000	SEE NOTE 2	N/A	3
				74029-8050	SEE NOTE 3	N/A	
				74029-8400	SEE NOTE 2	POS. 2	2
				74029-8450	SEE NOTE 3	POS. 2	
				74029-8401	SEE NOTE 2	POS. 1	
				74029-8451	SEE NOTE 3	POS. 1	
				74029-8403	SEE NOTE 2	POS. 3	
				74029-8453	SEE NOTE 3	POS. 3	

ADD LEADED P/N EC NO: UCP2013-0146 DRW: S/MANG01 2012/07/16 CHKD: MOLF 2012/07/16 APPR: SMILLER 2012/08/06 K	QUALITY SYMBOLS ▽=0 ▽=0 ▽=0	GENERAL TOLERANCES (UNLESS SPECIFIED) mm INCH 4 PLACES ± --- ± --- 3 PLACES ± --- ± --- 2 PLACES ± 0.25 ± --- 1 PLACE ± 0.38 ± --- 0 PLACE ± ±	DIMENSION STYLE MM ONLY DRAWN BY DATE TELO 98/10/19 CHECKED BY DATE DBREARLEY 98/10/21 APPROVED BY DATE SMILLER 2012/01/20	SCALE 4:1	DESIGN UNITS METRIC	THIRD ANGLE PROJECTION	
		ANGULAR ± 1/2° DRAFT WHERE APPLICABLE MUST REMAIN WITHIN DIMENSIONS		MATERIAL NO. SEE TABLE	DOCUMENT NO. SD-74029-002	SHEET NO. 1 OF 2	
		VHDM 8 ROW POWER BACKPLANE SALES DRAWING 					
		THIS DRAWING CONTAINS INFORMATION THAT IS PROPRIETARY TO MOLEX INCORPORATED AND SHOULD NOT BE USED WITHOUT WRITTEN PERMISSION					

9 8 7 6 5 4 3 2 1

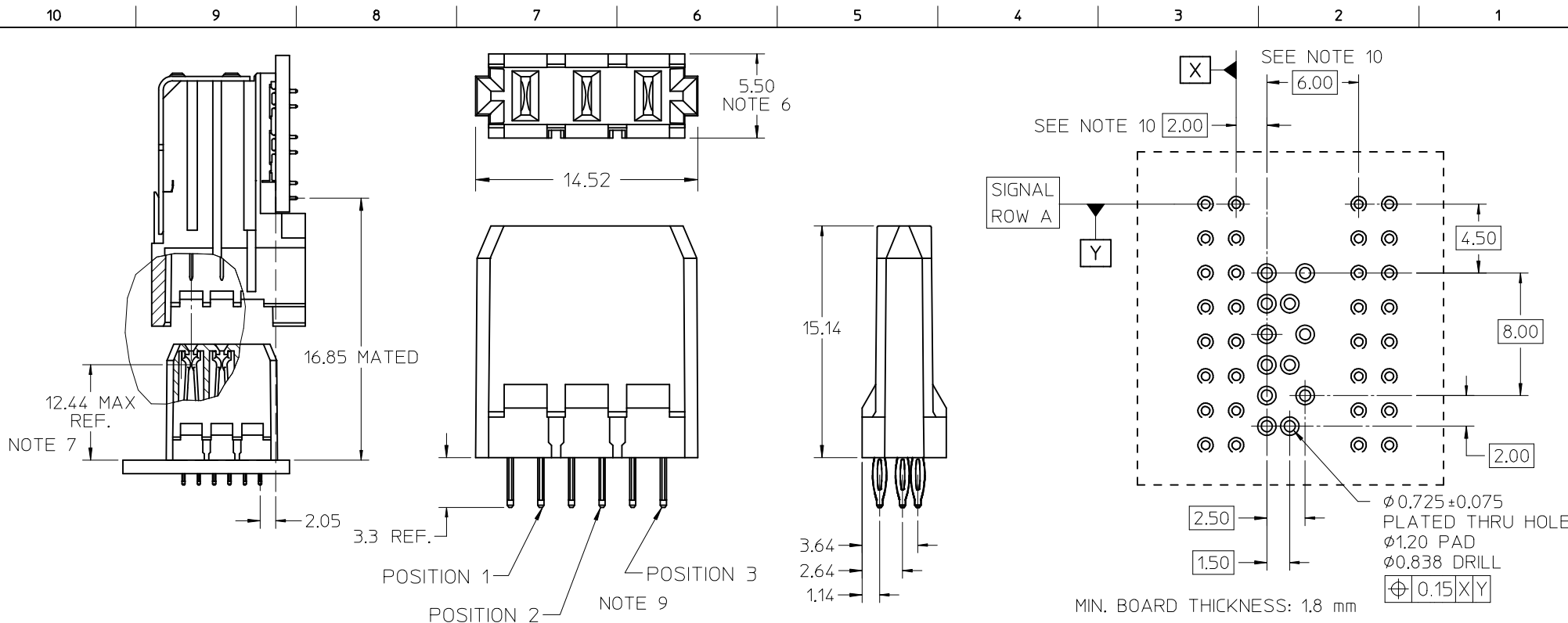
10 9 8 7 6 5 4 3 2 1



SEE SHEET 1 EC NO: UCP2013-0146 DRWN: SVANG01 2012/07/16 CHKD: MWOLFE 2012/07/16 APPR: SMILLER 2012/08/06 REV: K	QUALITY SYMBOLS ▽/0 ▽/0 ▽/0	GENERAL TOLERANCES (UNLESS SPECIFIED) <table border="1"> <thead> <tr> <th></th> <th>mm</th> <th>INCH</th> </tr> </thead> <tbody> <tr> <td>4 PLACES</td> <td>±---</td> <td>±---</td> </tr> <tr> <td>3 PLACES</td> <td>±---</td> <td>±---</td> </tr> <tr> <td>2 PLACES</td> <td>±0.25</td> <td>±---</td> </tr> <tr> <td>1 PLACE</td> <td>±0.38</td> <td>±---</td> </tr> <tr> <td>0 PLACE</td> <td>±</td> <td>±</td> </tr> </tbody> </table>		mm	INCH	4 PLACES	±---	±---	3 PLACES	±---	±---	2 PLACES	±0.25	±---	1 PLACE	±0.38	±---	0 PLACE	±	±	DIMENSION STYLE MM ONLY	SCALE 4:1	DESIGN UNITS METRIC	THIRD ANGLE PROJECTION
		mm	INCH																					
	4 PLACES	±---	±---																					
	3 PLACES	±---	±---																					
2 PLACES	±0.25	±---																						
1 PLACE	±0.38	±---																						
0 PLACE	±	±																						
		DRAWN BY TELO	DATE 98/10/19	TITLE VHDM 8 ROW POWER BACKPLANE SALES DRAWING																				
		CHECKED BY DBREARLEY	DATE 98/10/21	molex																				
		APPROVED BY SMILLER	DATE 2012/01/20	MATERIAL NO. SEE TABLE	DOCUMENT NO. SD-74029-002	SHEET NO. 2 OF 2																		

9 8 7 6 5 4 3 2 1

THIS DRAWING CONTAINS INFORMATION THAT IS PROPRIETARY TO MOLEX INCORPORATED AND SHOULD NOT BE USED WITHOUT WRITTEN PERMISSION



- NOTES:
- MATERIALS:
HOUSING - LIQUID CRYSTAL POLYMER (LCP)
UL94 V-0 RATED, COLOR: BLACK
TERMINAL - COPPER ALLOY
 - FINISH: 30 MICROINCHES MINIMUM GOLD ON MATING SURFACE;
MATTE TIN (Sn) ON TAILS; NICKEL OVERALL.
 - FINISH: 50 MICROINCHES MINIMUM GOLD ON MATING SURFACE;
MATTE TIN (Sn) ON TAILS; NICKEL OVERALL.
 - FINISH: 50 MICROINCHES MINIMUM GOLD ON MATING SURFACE;
TIN / LEAD (Sn/Pb) ON TAILS; NICKEL OVERALL.
 - THIS PART CONFORMS TO PRODUCT SPECIFICATION
PS-74031-999.
 - USE 6.00 mm NOMINAL FOR BACKPLANE LAYOUT.
 - DIMENSION MEASURED FROM BOTTOM OF HOUSING.
 - PACKED PER PK-70873-0876.
 - CONTACT NOT PRESENT AT POSITION ON -84** ASSEMBLIES.
 - THIS DIMENSION TO BE MULTIPLE OF 2.00 mm AS REQUIRED.

TIN / LEAD PLATING				MATTE TIN PLATING			
ASSEMBLY #	CONTACT PLATING	OPEN LOC.	# CONTACTS	ASSEMBLY #	CONTACT PLATING	OPEN LOC.	# CONTACTS
74029-8950	SEE NOTE 4	N/A	3	74029-8000	SEE NOTE 2	N/A	3
				74029-8050	SEE NOTE 3	N/A	
				74029-8400	SEE NOTE 2	POS. 2	2
				74029-8450	SEE NOTE 3	POS. 2	
				74029-8401	SEE NOTE 2	POS. 1	
				74029-8451	SEE NOTE 3	POS. 1	
				74029-8403	SEE NOTE 2	POS. 3	
				74029-8453	SEE NOTE 3	POS. 3	

ADD LEADED P/N EC NO: UCP2013-0146 DRWNS:VANG01 2012/07/13 CHKD:MMOLFE 2012/07/13 APPR:SMILLER 2012/08/06	QUALITY SYMBOLS	GENERAL TOLERANCES (UNLESS SPECIFIED)	DIMENSION STYLE MM ONLY	SCALE 4:1	DESIGN UNITS METRIC	THIRD ANGLE PROJECTION
	$\nabla F=0$	4 PLACES ± --- ± ---	DRAWN BY DATE ELO 2001/10/04	TITLE	HSD 8 ROW POWER BACKPLANE SALES DRAWING	
	$\nabla E=0$	3 PLACES ± --- ± ---	CHECKED BY DATE GORSKI 2001/10/05			
	$\nabla F=0$	2 PLACES ± 0.25 ± ---	APPROVED BY DATE BIXLER 2001/10/08	MATERIAL NO.	DOCUMENT NO.	SHEET NO.
	1 PLACE ± 0.38 ± ---		SEE TABLE	SD-74029-009	1 OF 1	
	0 PLACE ± ±	ANGULAR ± 5 °	SIZE B	THIS DRAWING CONTAINS INFORMATION THAT IS PROPRIETARY TO MOLEX INCORPORATED AND SHOULD NOT BE USED WITHOUT WRITTEN PERMISSION		
		DRAFT WHERE APPLICABLE MUST REMAIN WITHIN DIMENSIONS				