

MATERIALS AND FINISHES

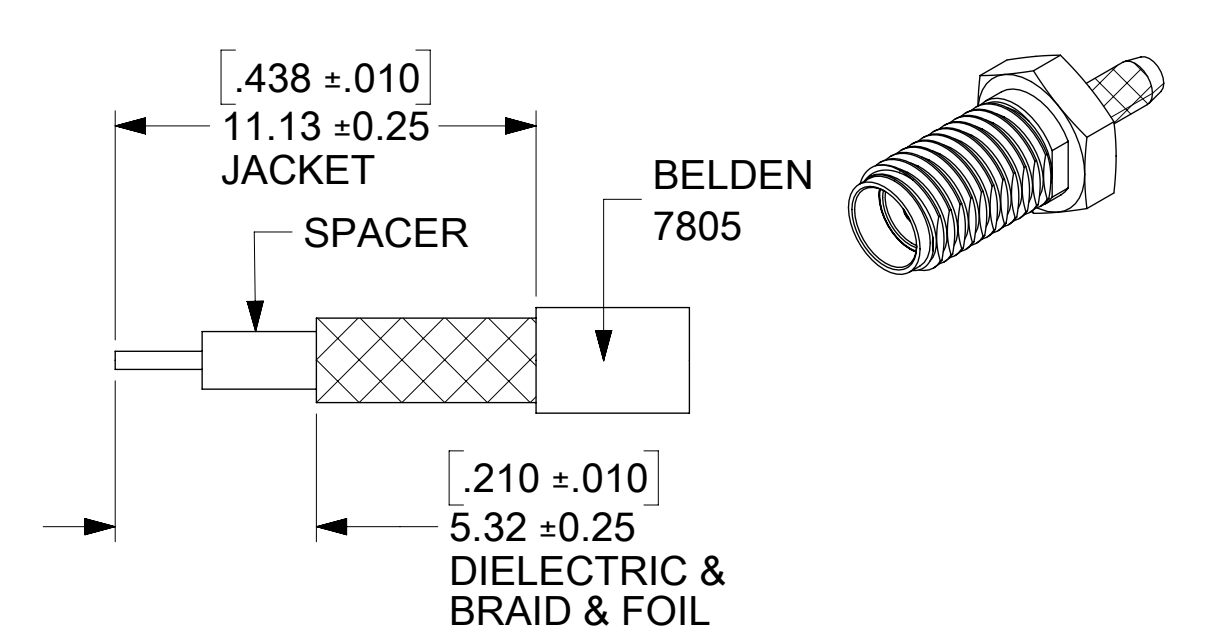
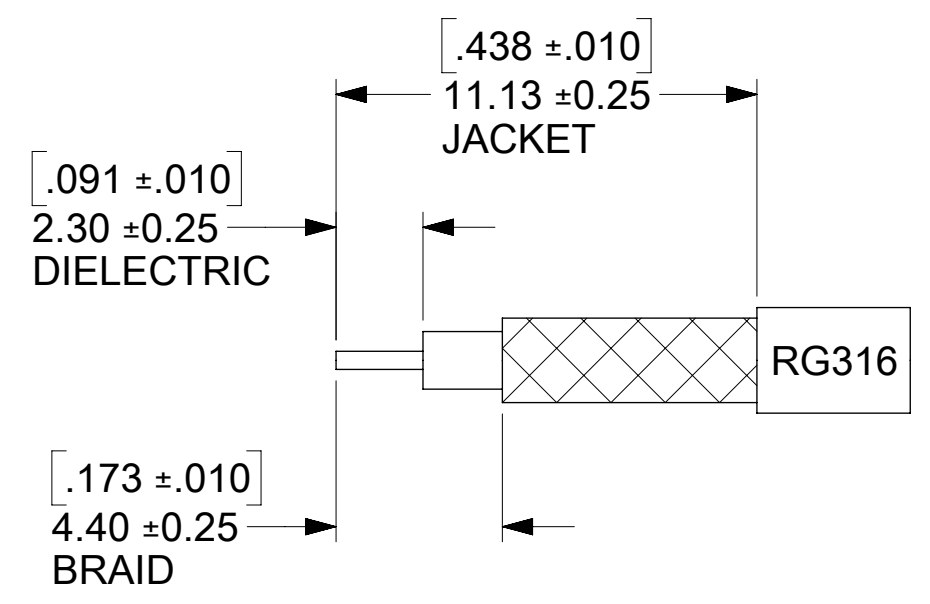
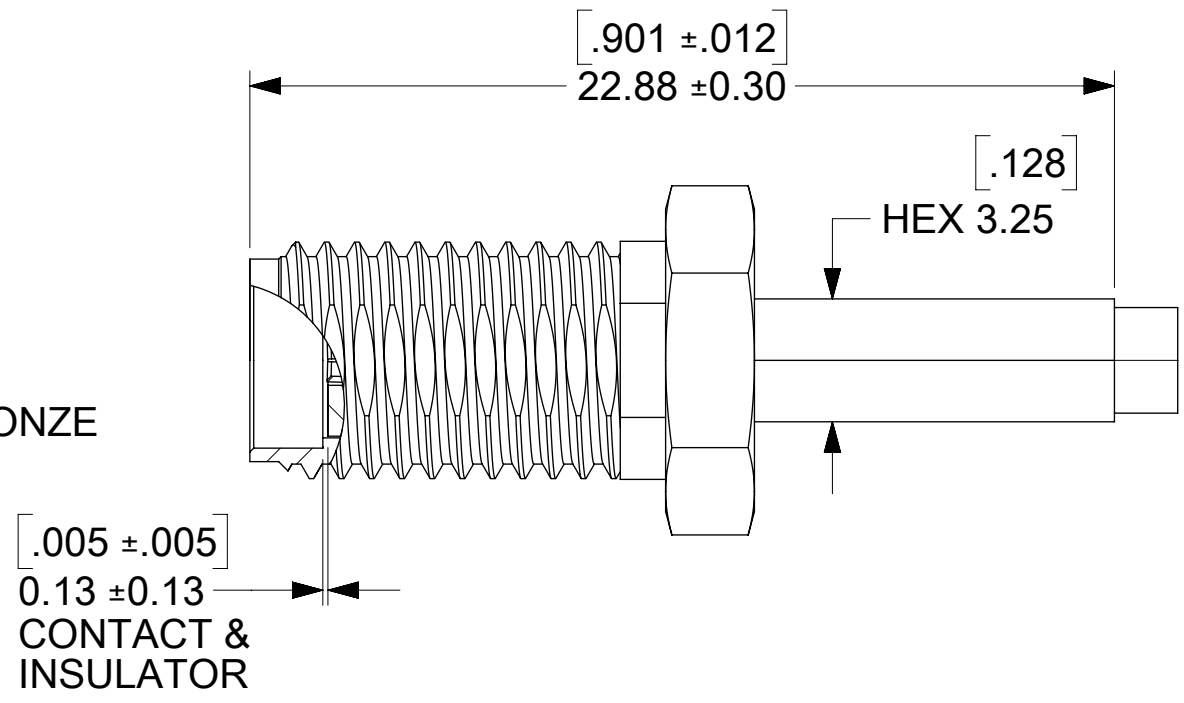
BODY, CRIMP TUBE: BRASS
PLATED SEE TABLE

CONTACT: BERYLLIUM COPPER
PLATED SEE TABLE

LOCK WASHER: PHOSPHOR BRONZE
PLATED SEE TABLE

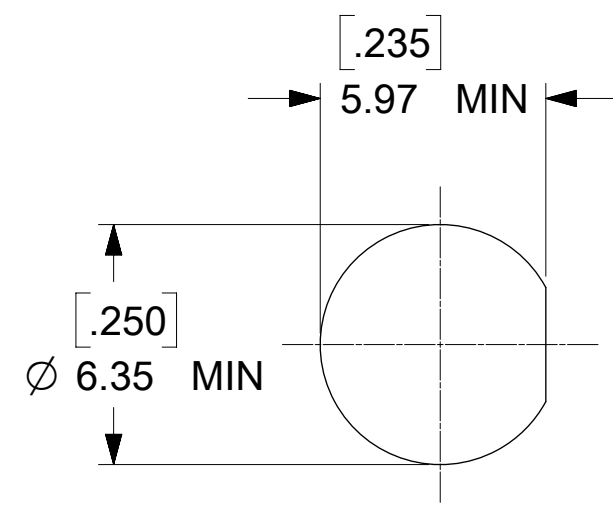
JAM NUT: BRASS
PLATED SEE TABLE

INSULATOR, SPACER: TEFLON

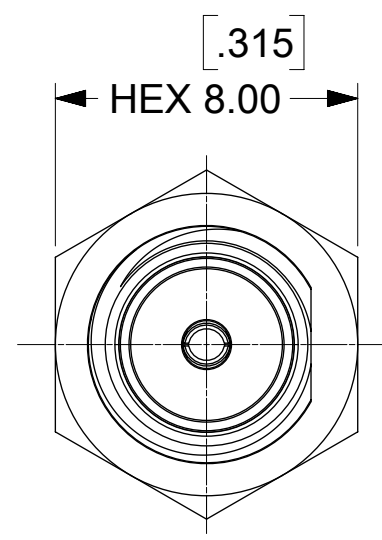


CABLE STRIPPING DIMENSIONS FOR -0260 THRU -0262 & -0264 & -0266

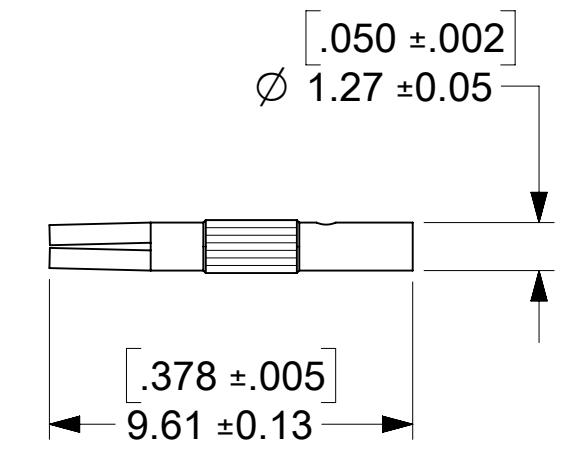
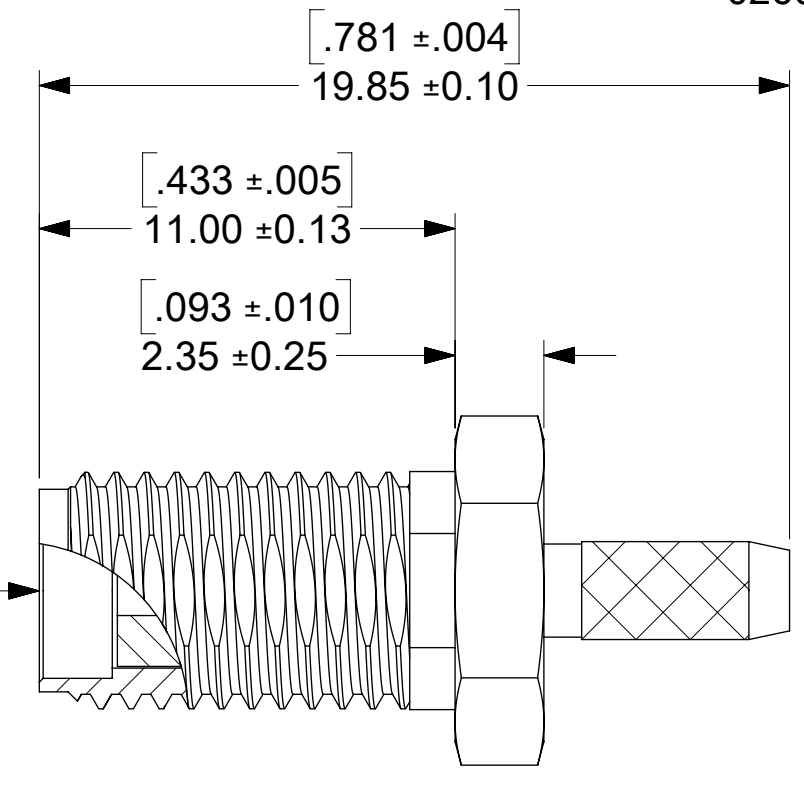
CABLE STRIPPING DIMENSIONS FOR -0263 ONLY



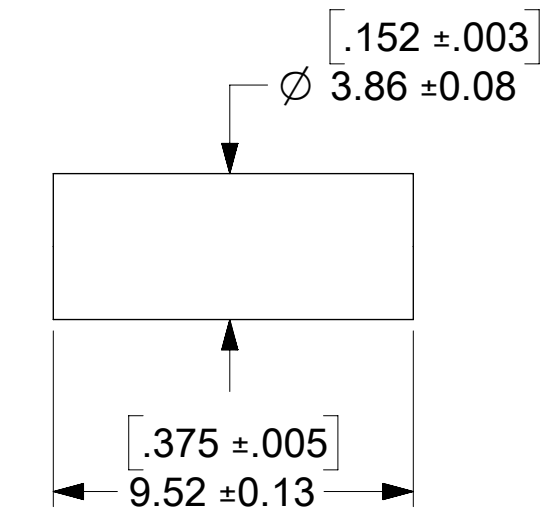
RECOMMENDED PANEL CUTOUT
MAX PANEL THICKNESS 3.18 (.125)



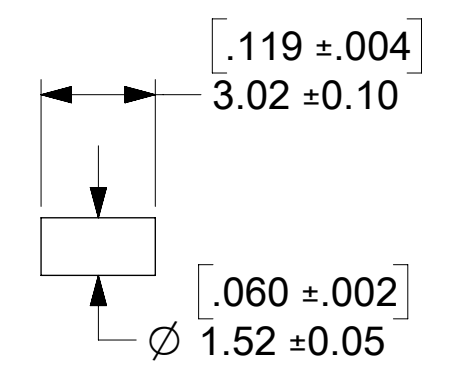
SMA JACK
INTERFACE



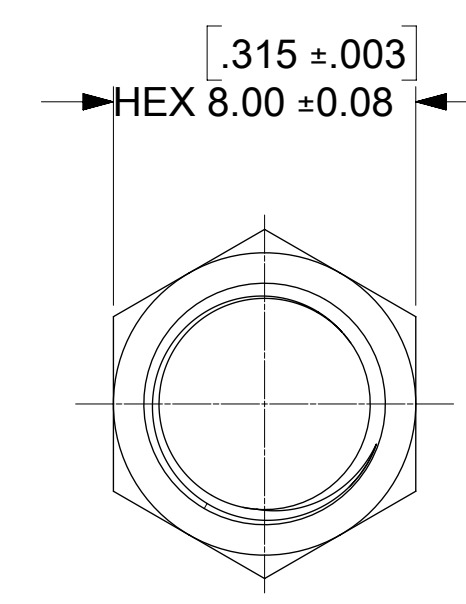
CONTACT



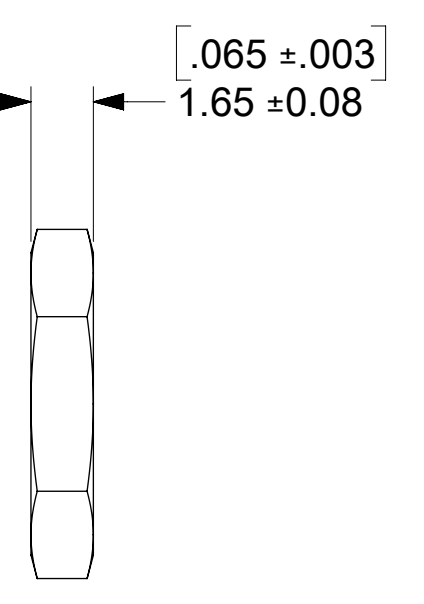
CRIMP TUBE



SPACER
FOR -0263 ONLY



JAM NUT



LOCK WASHER

73391-0266	GOLD (FLASH)	GOLD (10 MICRO-IN MIN)	GOLD (FLASH)	GOLD (10 MICRO-IN MIN)
73391-0265	GOLD (30 MICRO-IN MIN)	GOLD (30 MICRO-IN MIN)	GOLD (30 MICRO-IN MIN)	GOLD (30 MICRO-IN MIN)
73391-0264	GOLD (FLASH)	GOLD (FLASH)	GOLD (FLASH)	GOLD (10 MICRO-IN MIN)
73391-0263	GOLD (10 MICRO-IN MIN)	GOLD (30 MICRO-IN MIN)	NOT INCLUDING	NOT INCLUDING
73391-0262	GOLD (10 MICRO-IN MIN)	GOLD (30 MICRO-IN MIN)	NOT INCLUDING	NOT INCLUDING
73391-0261	GOLD (FLASH)	GOLD (10 MICRO-IN MIN)	NOT INCLUDING	NOT INCLUDING
73391-0260	GOLD (FLASH)	GOLD (10 MICRO-IN MIN)	GOLD (FLASH)	GOLD (10 MICRO-IN MIN)
PART NO.	BODY/CRIMP TUBE	CONTACT	JAM NUT	LOCK WASHER

73391-0266	50PCS PER BAG	50PCS PER BAG
73391-0265	50PCS PER BAG	250PCS PER BAG
73391-0264	50PCS PER BAG	250PCS PER BAG
73391-0263	50PCS PER BAG	NOT INCLUDING
73391-0262	50PCS PER BAG	NOT INCLUDING
73391-0261	50PCS PER BAG	NOT INCLUDING
73391-0260	50PCS PER BAG	250PCS PER BAG
PART NO.	CONNECTOR PACKAGING	ACCESSORIES PACKAGING

PS-89675-346	ELEC/MECH PERFORMANCE
SPECIFICATION	DESCRIPTION

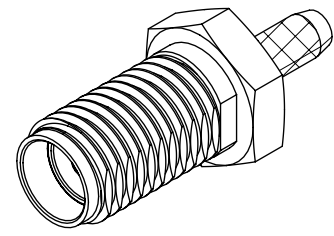
FUNCTIONAL SYMBOLS $\nabla_A = 0$ $\nabla_C = 0$ $\nabla_P = 0$	THIS DRAWING CONTAINS INFORMATION THAT IS PROPRIETARY TO MOLEX ELECTRONIC TECHNOLOGIES, LLC AND SHOULD NOT BE USED WITHOUT WRITTEN PERMISSION		CURRENT REV DESC: EWR # 15667-A : ADDED -0266	
	DIMENSION UNITS	SCALE	PART NO	
	MM/INCH	NTS	EC NO: 738061	
	GENERAL TOLERANCES (UNLESS SPECIFIED)		DRWN: JSU18 2023/02/08	
ANGULAR TOL ± °		CHK'D: YCHENG 2023/02/21		
4 PLACES ±		APPR: YCHENG 2023/02/21		
3 PLACES ±		INITIAL REVISION:		
2 PLACES ±		DRWN: AROBERTSON 2007/04/09		
1 PLACE ±		APPR: JWIENER 2007/04/09		
0 PLACES ±		THIRD ANGLE PROJECTION		
DRAFT WHERE APPLICABLE MUST REMAIN WITHIN DIMENSIONS		DRAWING	SERIES	MATERIAL NUMBER
		C-SIZE	73391	SEE TABLE
		CUSTOMER		SHEET NUMBER
		GENERAL MARKET		1 OF 3



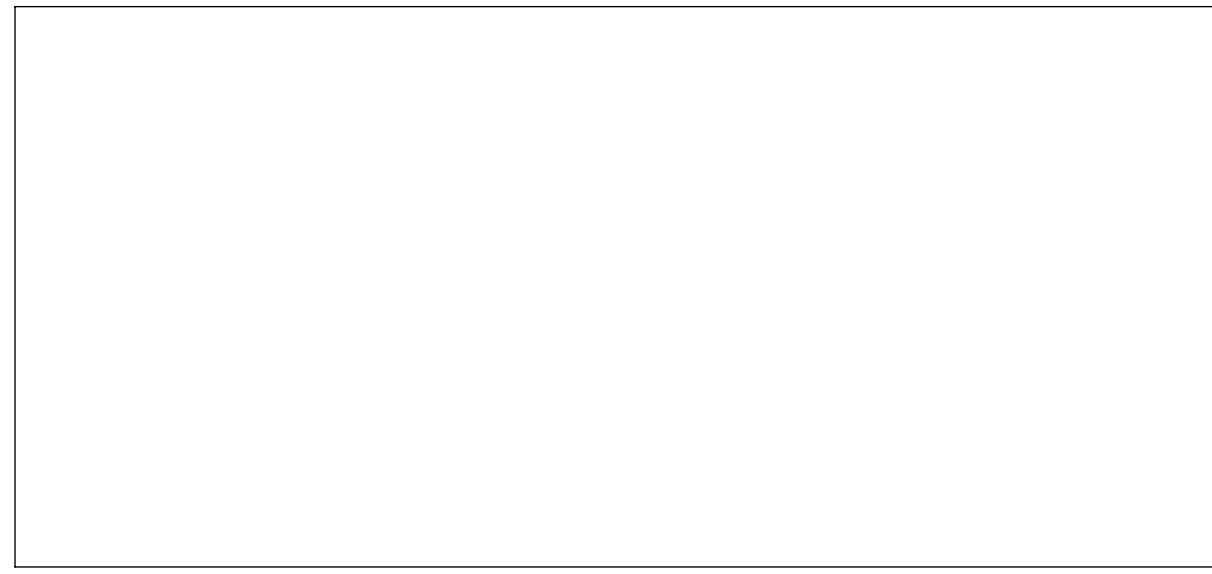
SMA JACK STR BKHD RM FOR RG316/RG174
SMA-JC

PRODUCT CUSTOMER DRAWING

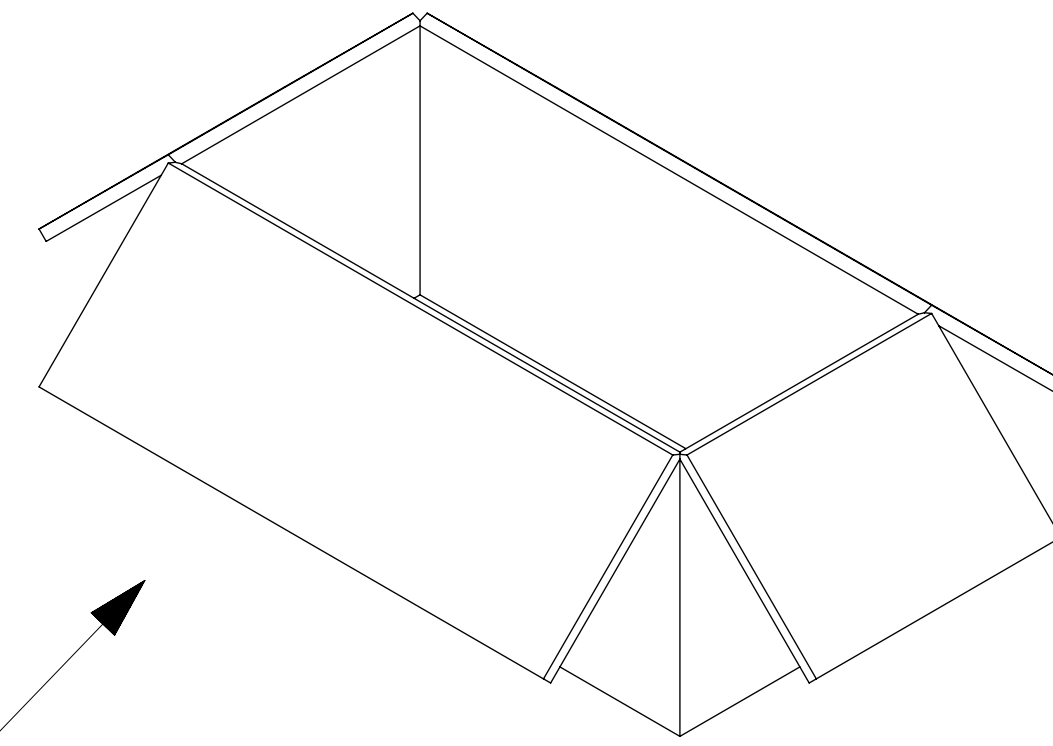
DOCUMENT NUMBER	DOC TYPE	DOC PART	REVISION
SD-73391-026	PSD	000	B9



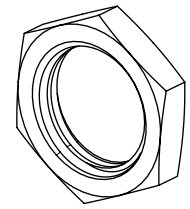
P/N: 73391-0260
 73391-0261
 73391-0262
 73391-0263
 73391-0264
 73391-0265



50 SET PER BAG
 P/N: 89707-0174



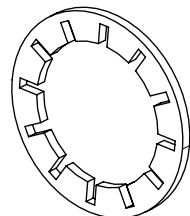
250 SET PER INNER
 CARTON BOX
 P/N: 89499-9026



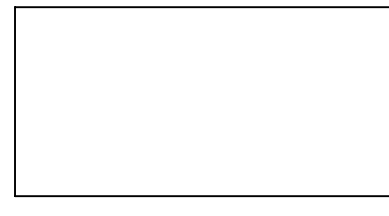
JAM NUT



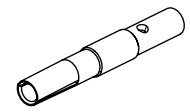
250 SET PER BAG



LOCK WASHER



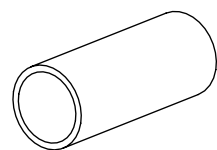
250 SET PER BAG



CONTACT



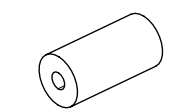
250 SET PER BAG



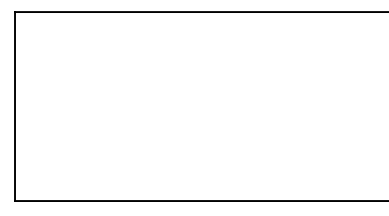
CRIMP TUBE



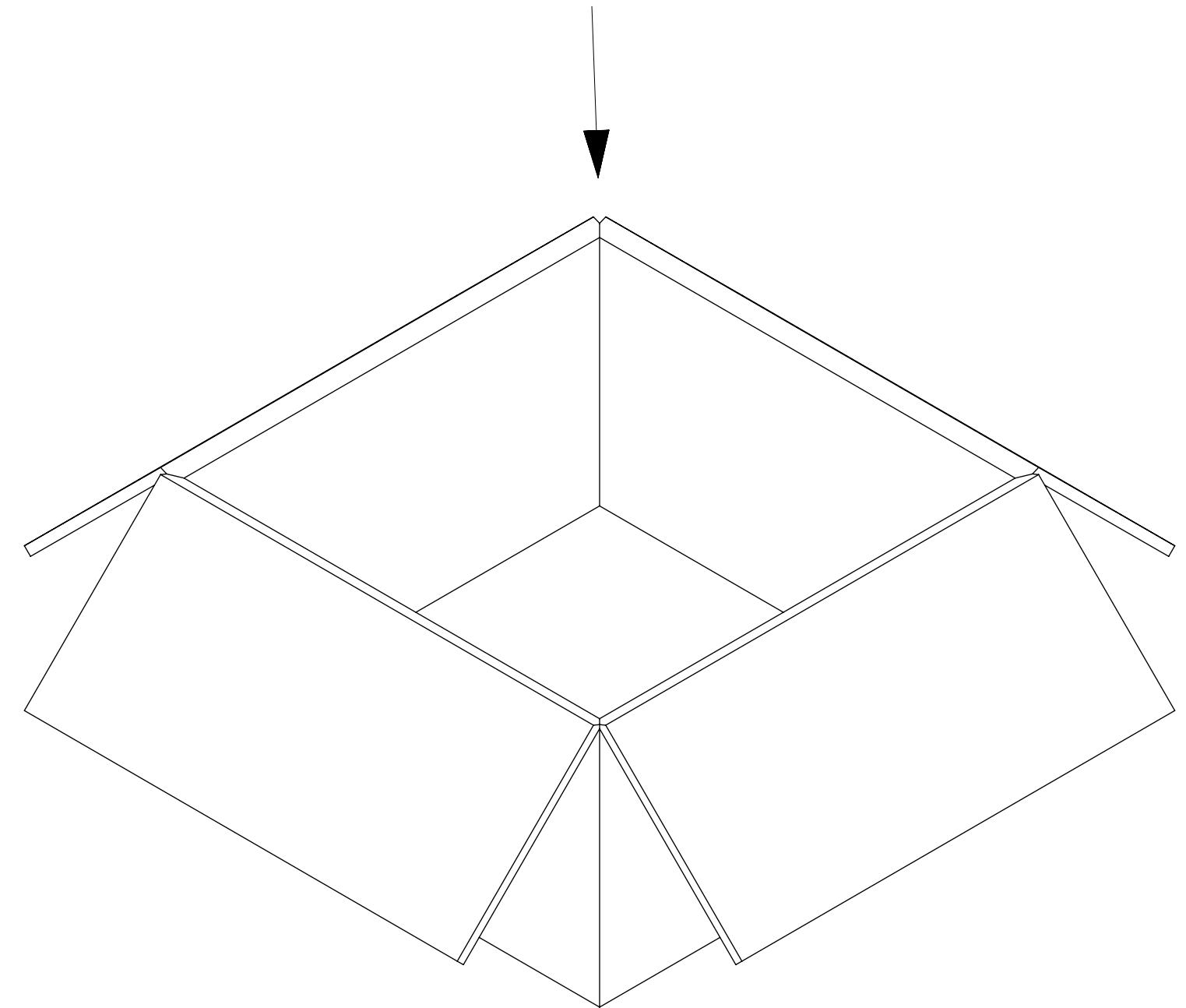
250 SET PER BAG



SPACER
 FOR -0263 ONLY



250 SET PER BAG

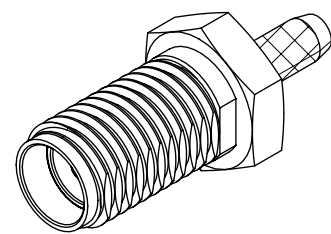


500 SET PER OUTER
 CARTON BOX
 P/N: 89499-9027

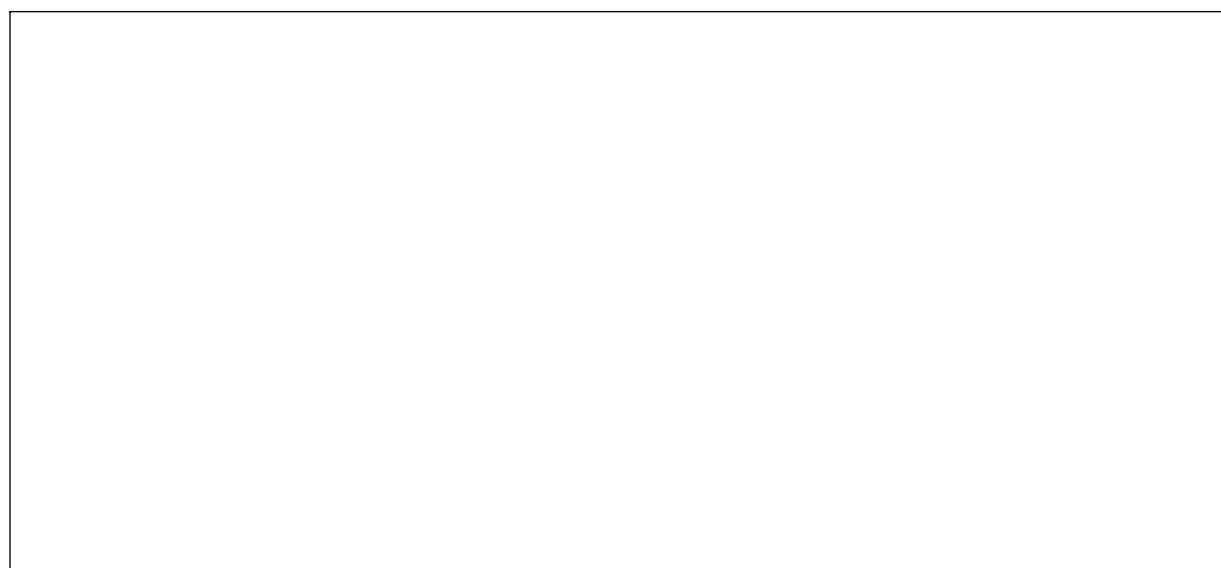
FUNCTIONAL SYMBOLS	THIS DRAWING CONTAINS INFORMATION THAT IS PROPRIETARY TO MOLEX ELECTRONIC TECHNOLOGIES, LLC AND SHOULD NOT BE USED WITHOUT WRITTEN PERMISSION											
	DIMENSION UNITS	SCALE	CURRENT REV DESC: EWR # 15667-A : ADDED -0266							PART NO		
$\frac{F}{A} = 0$	MM/INCH	NTS								molex		
$\frac{E}{C} = 0$	GENERAL TOLERANCES (UNLESS SPECIFIED)											
$\frac{E}{P} = 0$	ANGULAR TOL		±	°						SMA JACK STR BKHD RM FOR RG316/RG174 SMA-JC		
DIVISIONAL SYMBOLS	4 PLACES		±								EC NO: 738061	
	3 PLACES		±						DRWN: JSU18		2023/02/08	
	2 PLACES		±						CHK'D: YCHENG		2023/02/21	
	1 PLACE		±						APPR: YCHENG		2023/02/21	
	0 PLACES		±						INITIAL REVISION:			
DRAFT WHERE APPLICABLE MUST REMAIN WITHIN DIMENSIONS			THIRD ANGLE PROJECTION		DRAWING	SERIES	MATERIAL NUMBER		CUSTOMER	SHEET NUMBER		
					C-SIZE	73391	SD-73391-026		GENERAL MARKET	2 OF 3		

DOCUMENT NUMBER				DOC TYPE	DOC PART	REVISION
SD-73391-026				PSD	000	B9

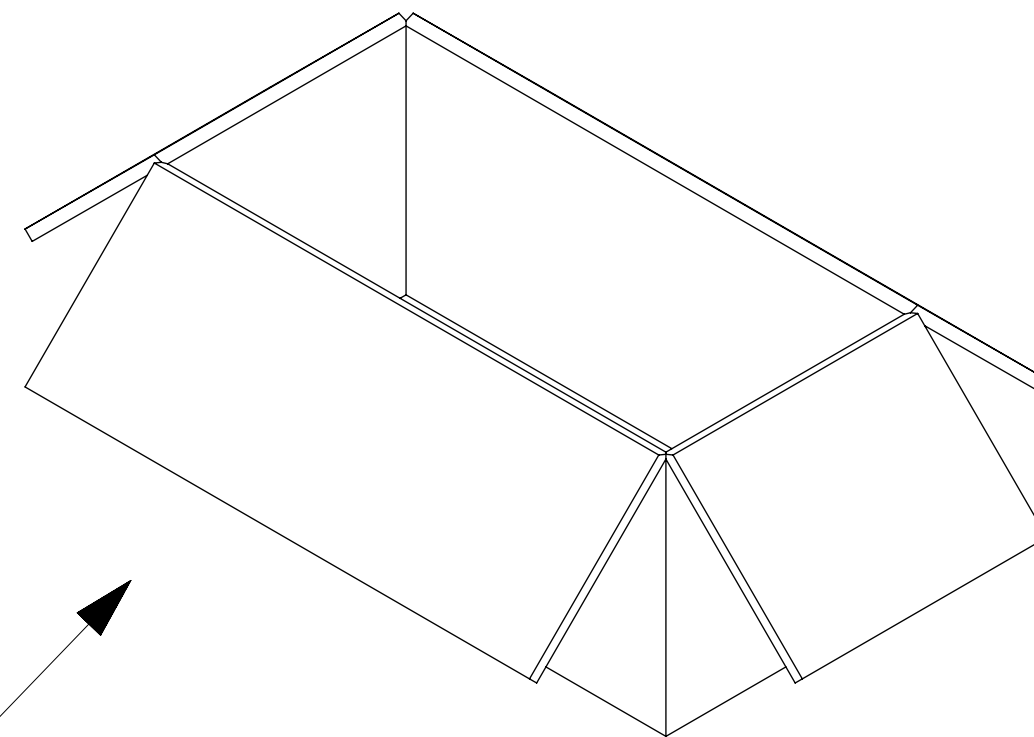
DOCUMENT STATUS	P1	RELEASE DATE	2023/02/21	04:15:15
-----------------	----	--------------	------------	----------



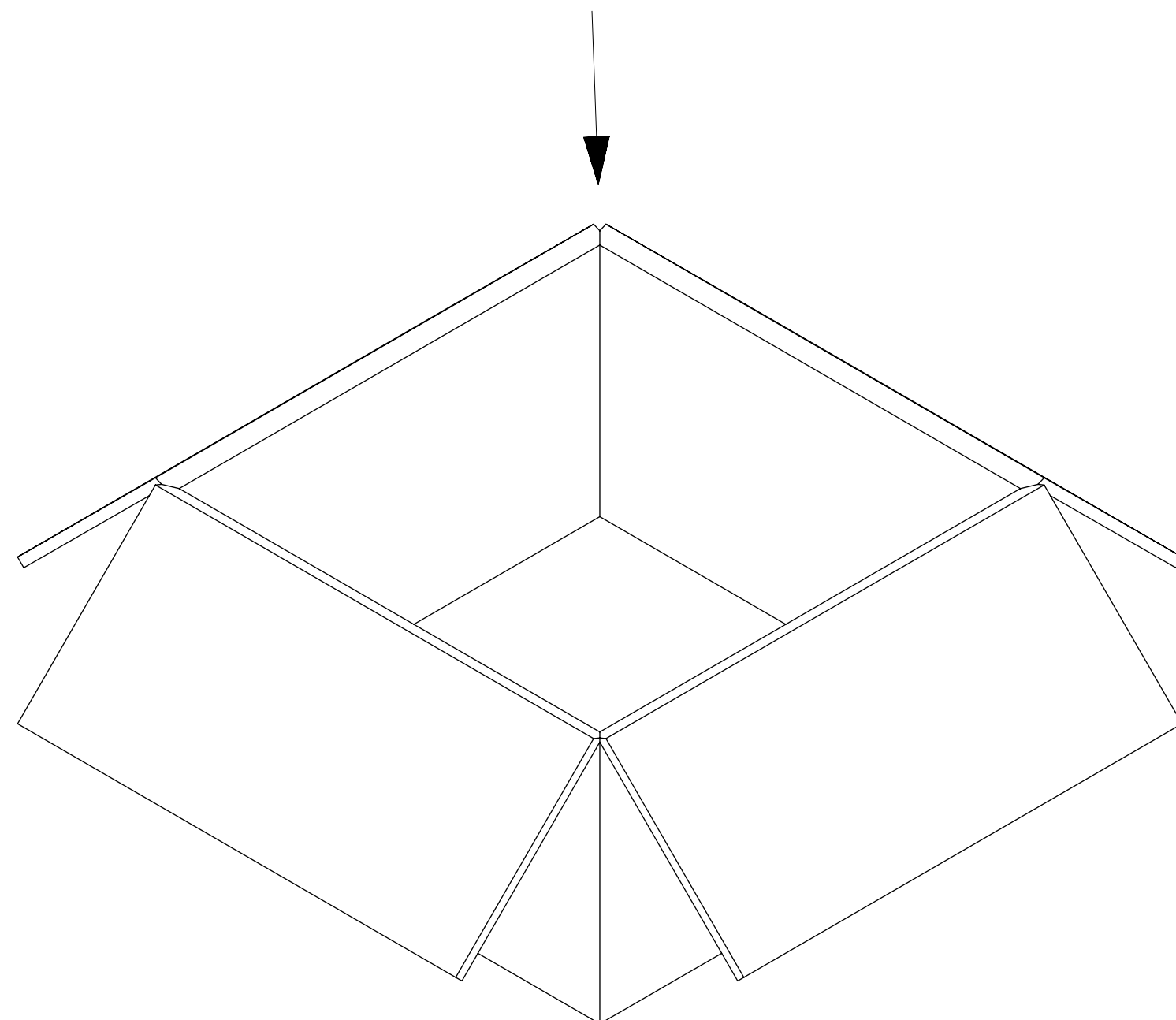
P/N: 73391-0266



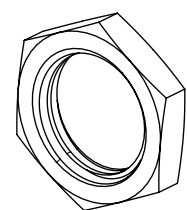
50 SET PER BAG
P/N: 89707-0174



250 SET PER INNER
CARTON BOX
P/N: 89499-9026



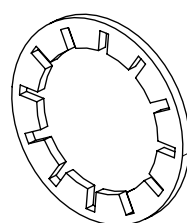
500 SET PER OUTER
CARTON BOX
P/N: 89499-9027



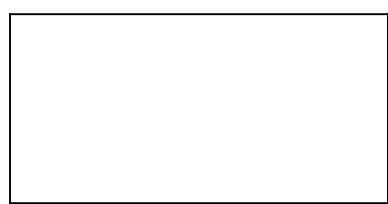
JAM NUT



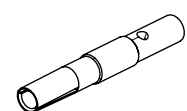
50 SET PER BAG



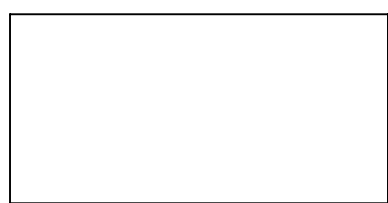
LOCK WASHER



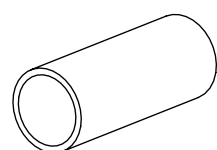
50 SET PER BAG



CONTACT



50 SET PER BAG



CRIMP TUBE



50 SET PER BAG

FUNCTIONAL SYMBOLS	THIS DRAWING CONTAINS INFORMATION THAT IS PROPRIETARY TO MOLEX ELECTRONIC TECHNOLOGIES, LLC AND SHOULD NOT BE USED WITHOUT WRITTEN PERMISSION													
	DIMENSION UNITS	SCALE	CURRENT REV DESC: EWR # 15667-A : ADDED -0266								PART NO			
$\frac{F}{A} = 0$	MM/INCH	NTS									molex			
$\frac{E}{C} = 0$	GENERAL TOLERANCES (UNLESS SPECIFIED)													
$\frac{E}{P} = 0$	ANGULAR TOL		±	°	EC NO: 738061					SMA JACK STR BKHD RM FOR RG316/RG174 SMA-JC				
DIVISIONAL SYMBOLS	4 PLACES		±		DRWN: JSU18		2023/02/08		PRODUCT CUSTOMER DRAWING					
	3 PLACES		±		CHK'D: YCHENG		2023/02/21		DOCUMENT NUMBER					
	2 PLACES		±		APPR: YCHENG		2023/02/21		DOC TYPE		DOC PART	REVISION		
	1 PLACE		±		INITIAL REVISION:				SD-73391-026		PSD	000	B9	
0 PLACES		±			DRWN: AROBERTSON		2007/04/09		MATERIAL NUMBER		CUSTOMER		SHEET NUMBER	
DRAFT WHERE APPLICABLE MUST REMAIN WITHIN DIMENSIONS		THIRD ANGLE PROJECTION		DRAWING		SERIES		GENERAL MARKET		3 OF 3				
				C-SIZE		73391								

DOCUMENT STATUS	P1	RELEASE DATE	2023/02/21	04:15:15
-----------------	----	--------------	------------	----------