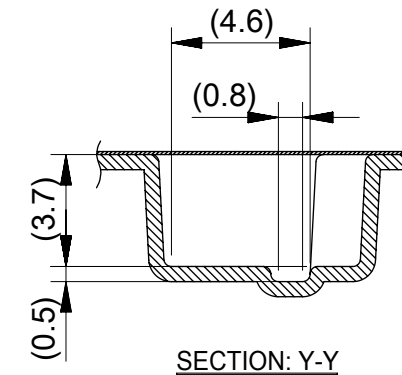


53261-****	WAFER ASSY	MODEL NO./MATERIAL NO.
50079-****	TERMINAL	
51021-****	HOUSING	

RELEASED EC NO: J2006-2426 DRWN: YA0YAGI CHKD: YMAEDA APPR: NUKITA 2006/02/07 2006/02/03 2006/02/07	GENERAL TOLERANCES (UNLESS SPECIFIED)	DIMENSION STYLE MM ONLY	SCALE ---	DESIGN UNITS METRIC	THIRD ANGLE PROJECTION
	10 UNDER	± ---	DRAWN BY Y. A0YAGI	DATE 2006/01/30	TITLE 1.25 W-T0-B CONN. 51021,53261 MATING CROSS SECTION
	10 OVER 30 UNDER	± ---	CHECKED BY Y. MAEDA	DATE 2006/01/30	MOLEX INCORPORATED
	30 OVER	± ---	APPROVED BY N. UKITA	DATE 2006/01/30	
	ANGULAR	± --- °	MATERIAL NO. SEE CHART	DOCUMENT NO. SD-51021-002	SHEET NO. 1 OF 1
DRAFT WHERE APPLICABLE MUST REMAIN WITHIN DIMENSIONS		SIZE A3	THIS DRAWING CONTAINS INFORMATION THAT IS PROPRIETARY TO MOLEX INCORPORATED AND SHOULD NOT BE USED WITHOUT WRITTEN PERMISSION		

注釈 NOTE

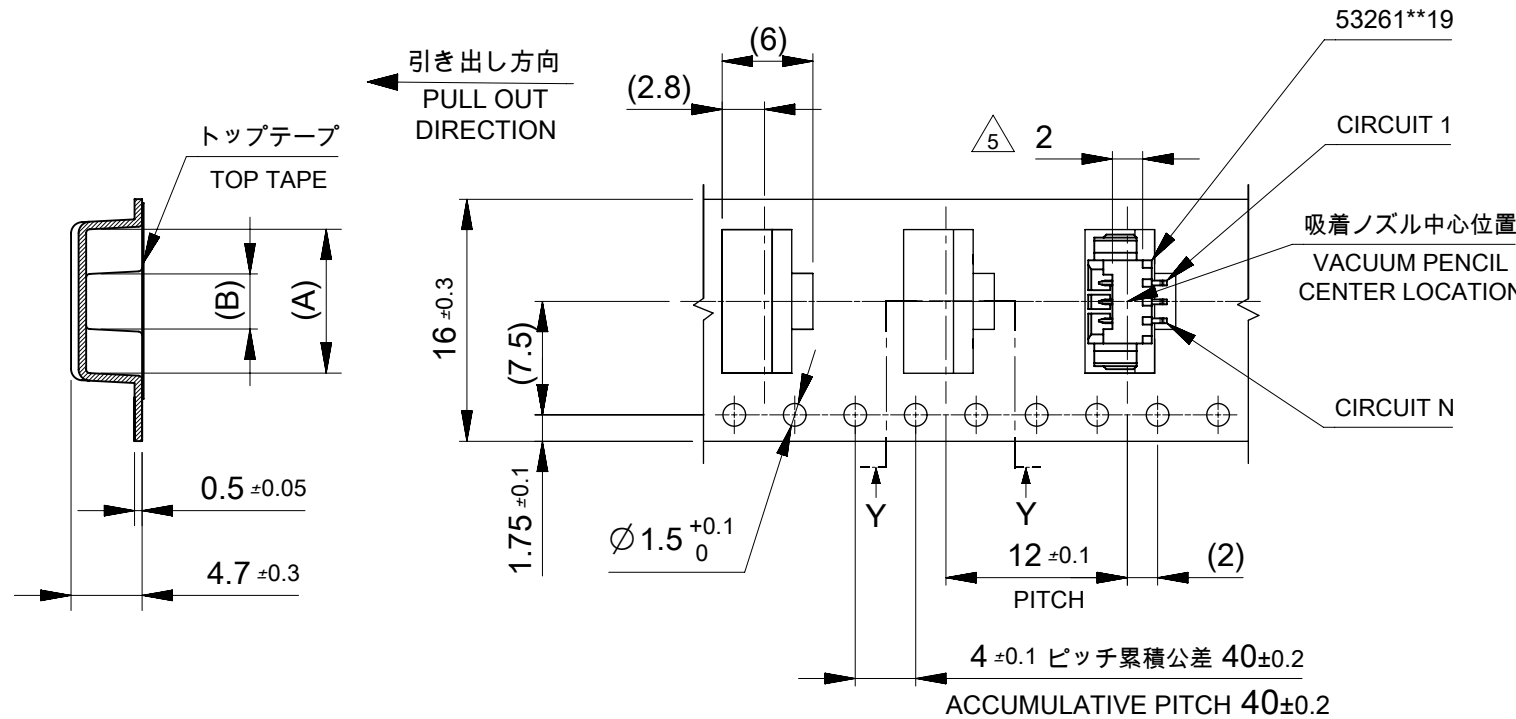
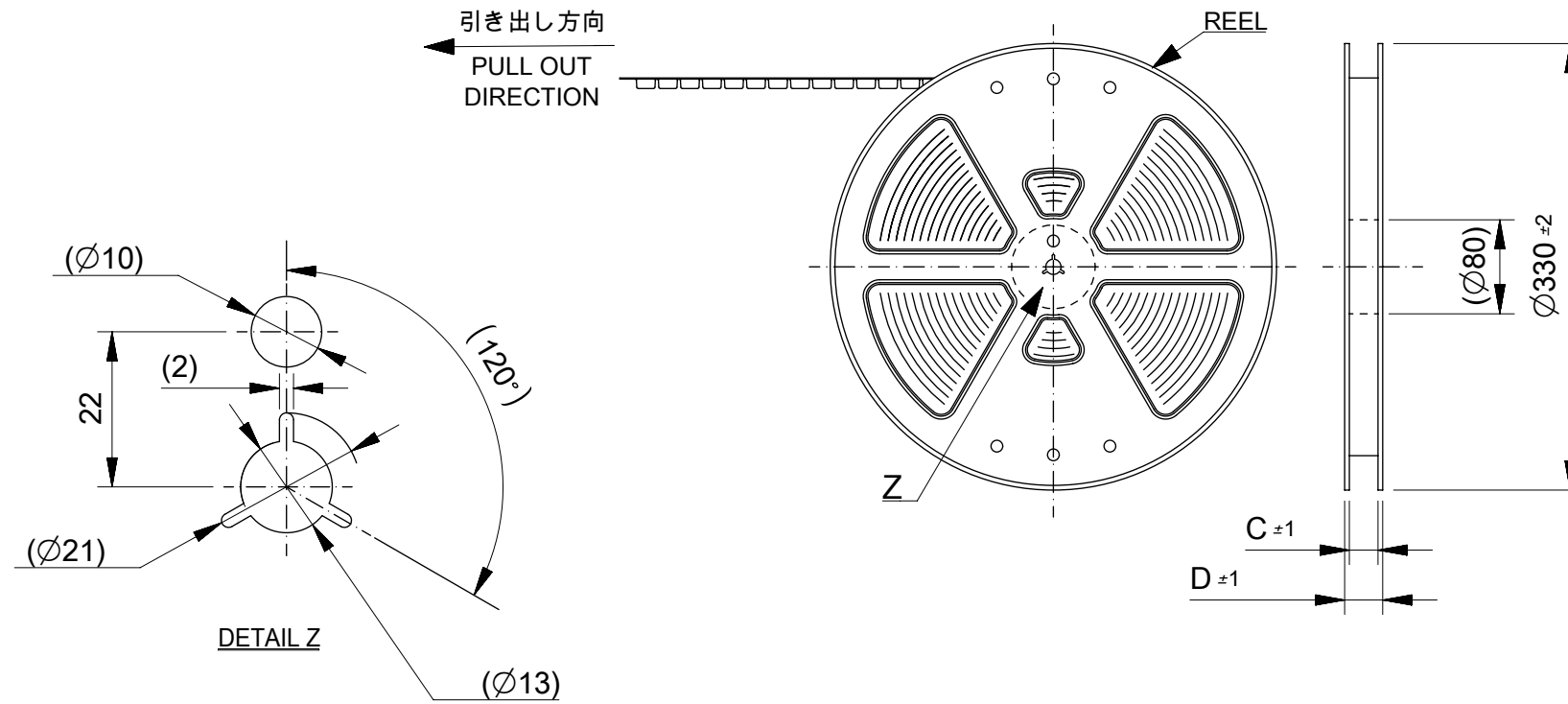
- コネクタ53261**19の詳細寸法については図面SD-53261-024をご参照ください。
REFER TO DRAWING SD-53261-024 FOR DETAIL DIMENSIONS OF CONNECTOR 53261**19.
- 梱包数量: 1000個/リール
NUMBER OF CONNECTOR: 1000PCS/REEL
- リードテープ長さ LEAD TAPE LENGTH
 トップテープリーダ部 TOP TAPE LEADER PART: 175 ±25
 トップテープ未装着部 TOP TAPE NON-BONDED PART: 25 ±5
 リーダ部 (空部) LEADER PART (EMPTY): 120 ±20
 部品挿入部 COMPONENT SUPPLIER
 末端部 (空部) TAIL PART (EMPTY): 150 ±40
- 材料 (MATERIAL)
 キャリアテープ (CARRIER TAPE): ポリプロピレン (POLYPROPYLENE)
 トップテープ (TOP TAPE): PET, PE, PEF
 リール (REEL): ポリスチレン (PS) <リサイクル材含む> POLYSTYREN (PS) <RECYCLE MATERIAL CONTAINED>
- コネクタハウジング平面部
CONNECTOR HOUSING FLAT AREA.
- 本製品は乾燥剤入りハイバリア梱包仕様である。
THIS PRODUCT IS HIGH BARRIER PACKAGE WITH DESICCANT.



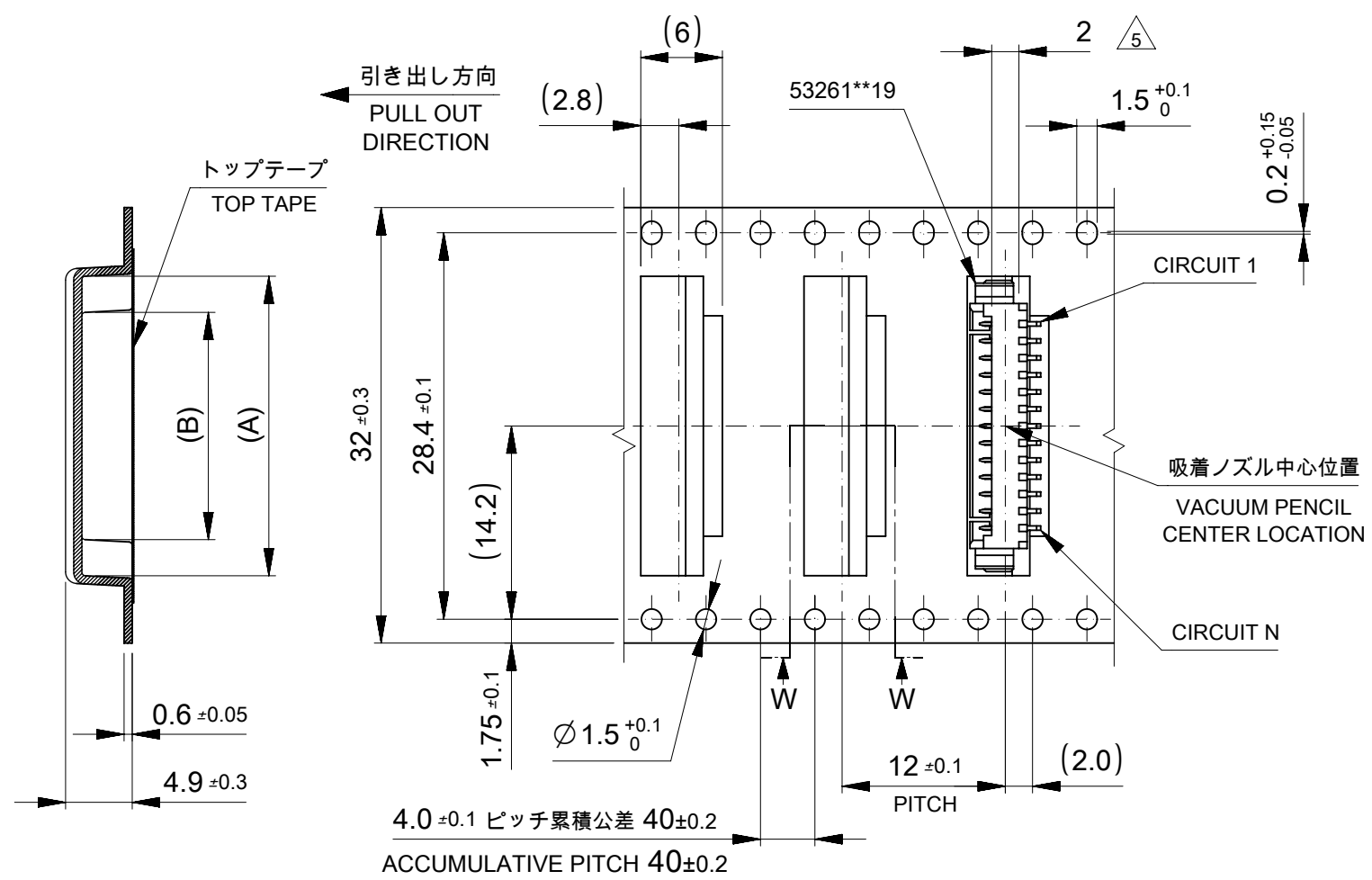
SECTION: Y-Y

16	21.4	17.4	3.7	9.5	532610371	3
			2.45	8.25	532610271	2
キャリアテープ幅 CARRIER TAPE WIDTH		D	C	B	A	EMBOSSED TAPE PACKAGE 極数
オーダー番号 ORDER NO.						CIRCUIT

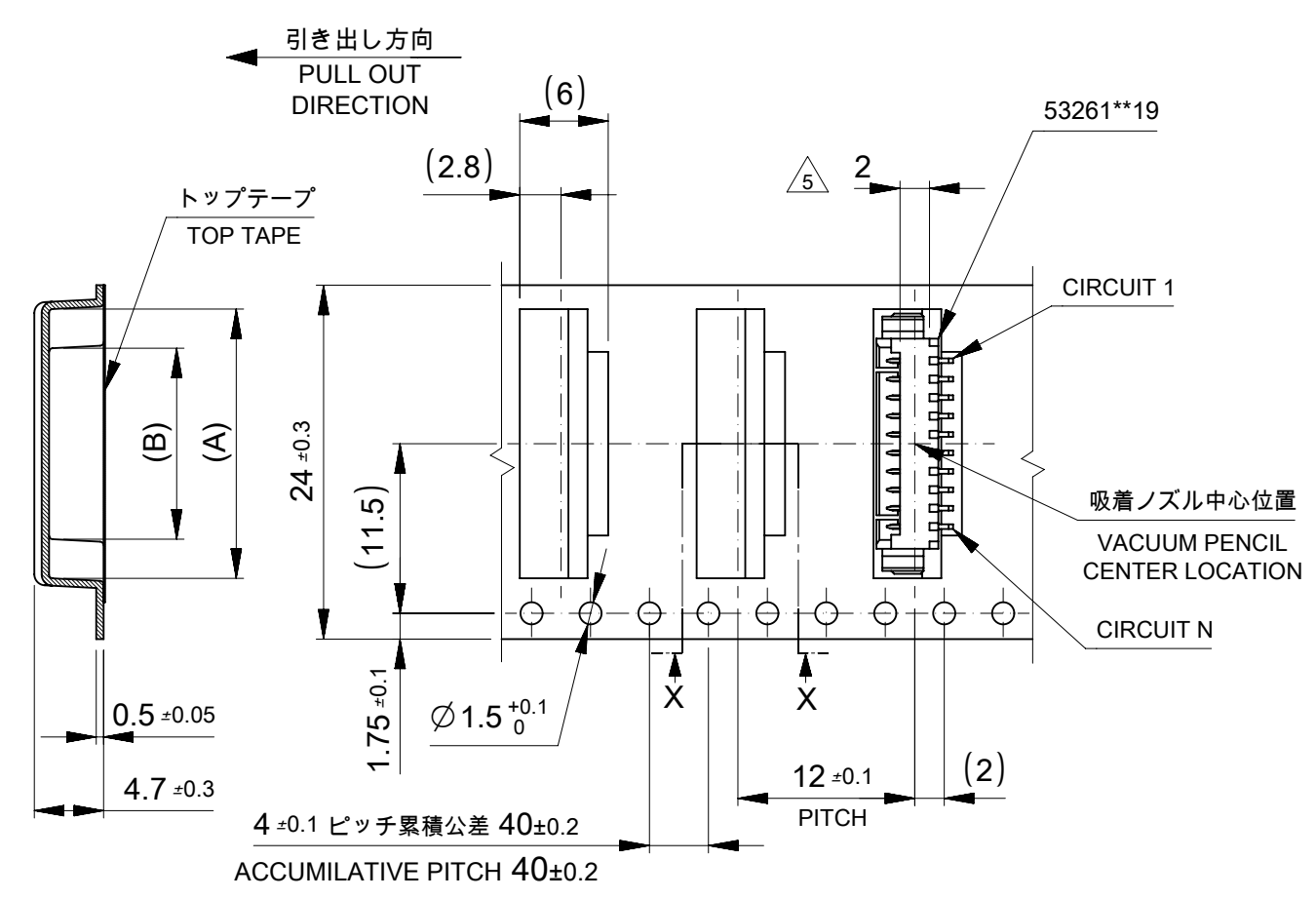
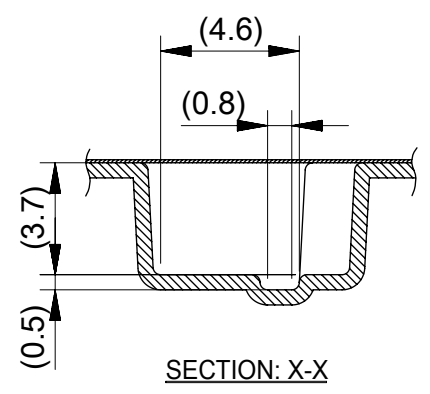
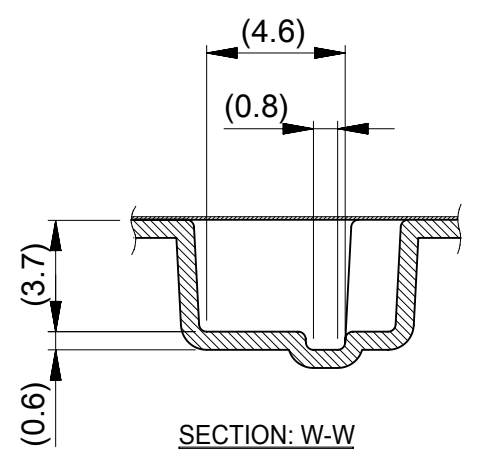
THIS DRAWING CONTAINS INFORMATION THAT IS PROPRIETARY TO MOLEX ELECTRONIC TECHNOLOGIES, LLC AND SHOULD NOT BE USED WITHOUT WRITTEN PERMISSION		CURRENT REV DESC:		molex			
DIMENSION UNITS	SCALE						
mm	NTS			PICOBLADE 1.25 W/B CONN. SMT R/A EMBOSSED TAPE PACKAGE			
GENERAL TOLERANCES (UNLESS SPECIFIED)				PRODUCT CUSTOMER DRAWING			
ANGULAR TOL	± 3.0 °			DOCUMENT NUMBER			
4 PLACES	± 0.2	EC NO: 650782		SD-53261-023			
3 PLACES	± 0.2	DRWN: QHE31		DOC TYPE			
2 PLACES	± 0.2	CHK'D: SAKIYAMA		DOC PART			
1 PLACE	± 0.2	APPR: KOMURAKAMI		REVISION			
0 PLACES	± 0.2	INITIAL REVISION:		G			
DRAFT WHERE APPLICABLE MUST REMAIN WITHIN DIMENSIONS		THIRD ANGLE PROJECTION		DRAWING		SERIES	
		A3-SIZE		53261		MATERIAL NUMBER	
				SEE CHART		CUSTOMER	
				GENERAL MARKET		SHEET NUMBER	
				1 OF 4			



16mm幅キャリアテープ
16mm WIDTH CARRIER TAPE



32mm幅キャリアテープ
32mm WIDTH CARRIER TAPE

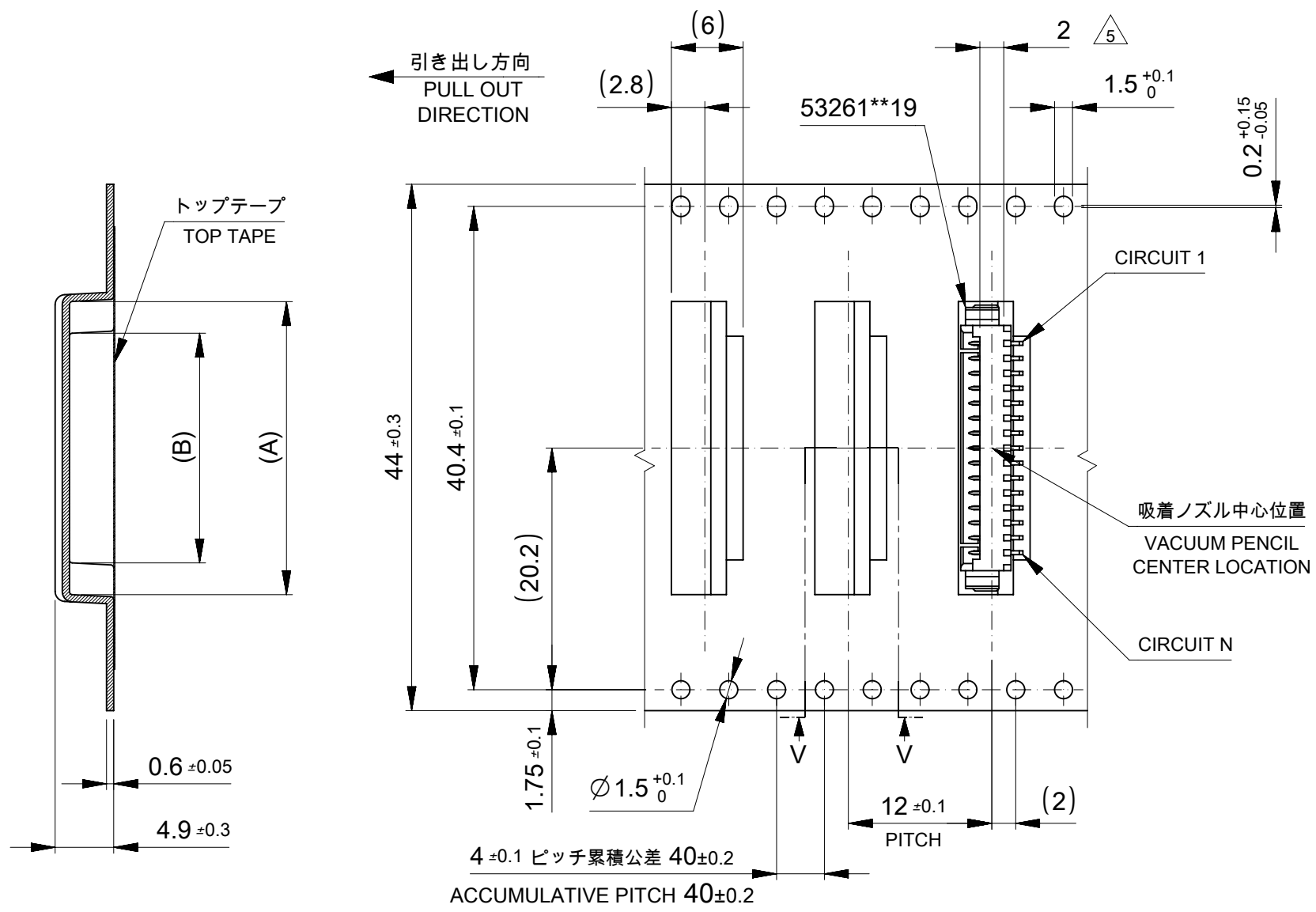


24mm幅キャリアテープ
24mm WIDTH CARRIER TAPE

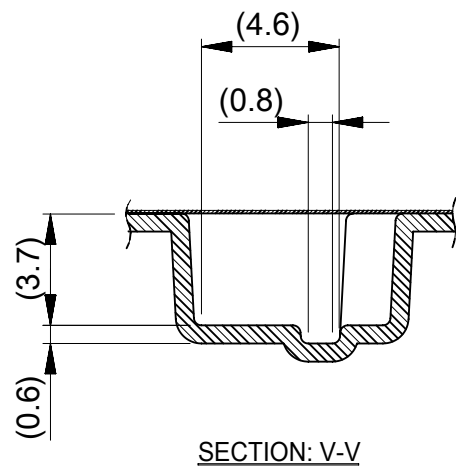
32	37.4	33.4	16.2	22	532611371	13	
			14.95	20.75	532611271	12	
			13.7	19.5	532611171	11	
24	29.4	25.4	12.45	18.25	532611071	10	
			11.2	17	532610971	9	
			9.95	15.75	532610871	8	
			8.7	14.5	532610771	7	
			7.45	13.25	532610671	6	
			6.2	12	532610571	5	
			4.95	10.75	532610471	4	
キャリアテープ幅 CARRIER TAPE WIDTH		D	C	B	A	EMBOSSED TAPE PACKAGE オーダー番号 ORDER NO.	極数 CIRCUIT

THIS DRAWING CONTAINS INFORMATION THAT IS PROPRIETARY TO MOLEX ELECTRONIC TECHNOLOGIES, LLC AND SHOULD NOT BE USED WITHOUT WRITTEN PERMISSION

DIMENSION UNITS mm	SCALE NTS	CURRENT REV DESC:		molex		
GENERAL TOLERANCES (UNLESS SPECIFIED)	ANGULAR TOL ± 3.0°	EC NO: 650782	DRWN: QHE31			
4 PLACES ± 0.2	3 PLACES ± 0.2	CHK'D: SAKIYAMA	2020/12/05	PRODUCT CUSTOMER DRAWING		
2 PLACES ± 0.2	1 PLACE ± 0.2	APPR: KOMURAKAMI	2020/12/07	DOCUMENT NUMBER		
0 PLACES ± 0.2	INITIAL REVISION:	DRWN: HSHIMABUKURO	2004/02/20	SD-53261-023		DOC TYPE
DRAFT WHERE APPLICABLE MUST REMAIN WITHIN DIMENSIONS	THIRD ANGLE PROJECTION	APPR: MSASAO	2004/02/20	PSD	001	REVISION
				GENERAL MARKET		G
		DRAWING A3-SIZE	SERIES 53261	MATERIAL NUMBER SEE CHART	CUSTOMER GENERAL MARKET	SHEET NUMBER 2 OF 4



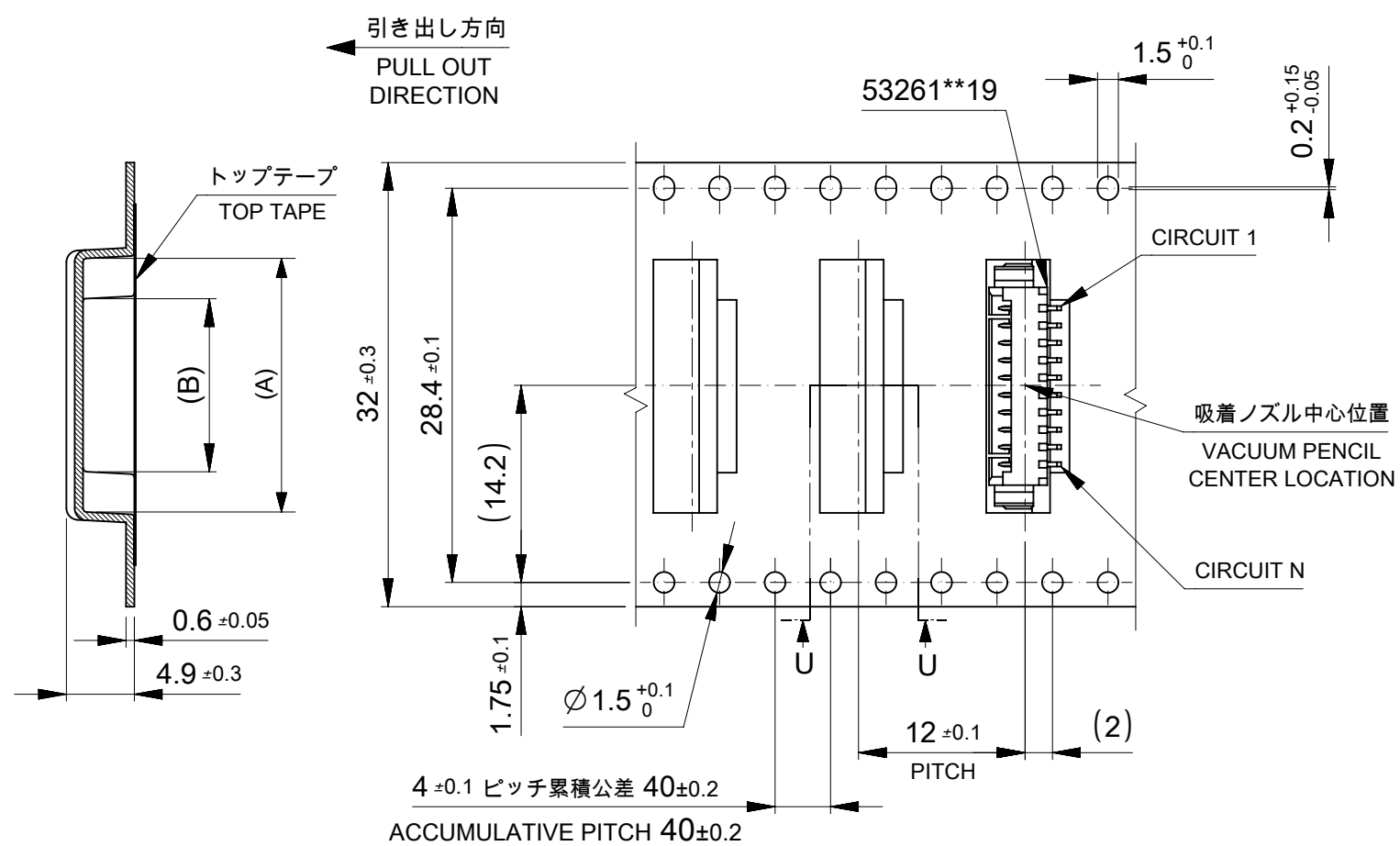
44mm幅キャリアテープ
44mm WIDTH CARRIER TAPE



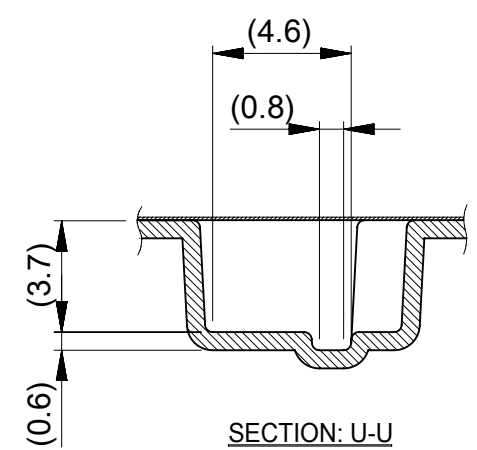
44	49.4	45.4	21.2	27	532611771	17
			18.7	24.5	532611571	15
			17.45	23.25	532611471	14
キャリアテープ幅 CARRIER TAPE WIDTH	D	C	B	A	EMBOSSED TAPE PACKAGE	極数 CIRCUIT
					オーダー番号 ORDER NO.	

THIS DRAWING CONTAINS INFORMATION THAT IS PROPRIETARY TO MOLEX ELECTRONIC TECHNOLOGIES, LLC AND SHOULD NOT BE USED WITHOUT WRITTEN PERMISSION		CURRENT REV DESC:		molex		
DIMENSION UNITS	SCALE					
mm	NTS			PRODUCT CUSTOMER DRAWING		
GENERAL TOLERANCES (UNLESS SPECIFIED)		EC NO: 650782		DOCUMENT NUMBER		
ANGULAR TOL	± 3.0 °	DRWN: QHE31 2020/12/05		SD-53261-023		
4 PLACES	± 0.2	CHK'D: SAKIYAMA 2020/12/07		DOC TYPE		
3 PLACES	± 0.2	APPR: KOMURAKAMI 2020/12/07		DOC PART		
2 PLACES	± 0.2	INITIAL REVISION:		REVISION		
1 PLACE	± 0.2	DRWN: HSHIMABUKURO 2004/02/20		001		
0 PLACES	± 0.2	APPR: MSASAO 2004/02/20		G		
DRAFT WHERE APPLICABLE MUST REMAIN WITHIN DIMENSIONS		THIRD ANGLE PROJECTION	DRAWING	SERIES	MATERIAL NUMBER	CUSTOMER
			A3-SIZE	53261	SEE CHART	GENERAL MARKET
						SHEET NUMBER
						3 OF 4

532611071
 韓国生産分に適用
 APPLIES TO PRODUCT
 PRODUCED BY MXK



32mm幅キャリアテープ
 32mm WIDTH CARRIER TAPE



32	37.4	33.4	12.45	18.25	532611071	10
キャリアテープ幅 CARRIER TAPE WIDTH	D	C	B	A	EMBOSSED TAPE PACKAGE	極数 CIRCUIT
					オーダー番号 ORDER NO.	

THIS DRAWING CONTAINS INFORMATION THAT IS PROPRIETARY TO MOLEX ELECTRONIC TECHNOLOGIES, LLC AND SHOULD NOT BE USED WITHOUT WRITTEN PERMISSION

DIMENSION UNITS mm	SCALE NTS	CURRENT REV DESC:		molex		
GENERAL TOLERANCES (UNLESS SPECIFIED)		EC NO: 650782				
ANGULAR TOL	± 3.0 °	DRWN: QHE31		2020/12/05		
4 PLACES	± 0.2	CHK'D: SAKIYAMA		2020/12/07		
3 PLACES	± 0.2	APPR: KOMURAKAMI		2020/12/07		
2 PLACES	± 0.2	INITIAL REVISION:		PRODUCT CUSTOMER DRAWING		
1 PLACE	± 0.2	DRWN: HSHIMABUKURO		DOCUMENT NUMBER		
0 PLACES	± 0.2	APPR: MSASAO		SD-53261-023		
DRAFT WHERE APPLICABLE MUST REMAIN WITHIN DIMENSIONS		THIRD ANGLE PROJECTION	DRAWING	SERIES	MATERIAL NUMBER	CUSTOMER
			A3-SIZE	53261	SEE CHART	GENERAL MARKET
					DOC TYPE	DOC PART
					PSD	001
					REVISION	G
					SHEET NUMBER	
					4 OF 4	

