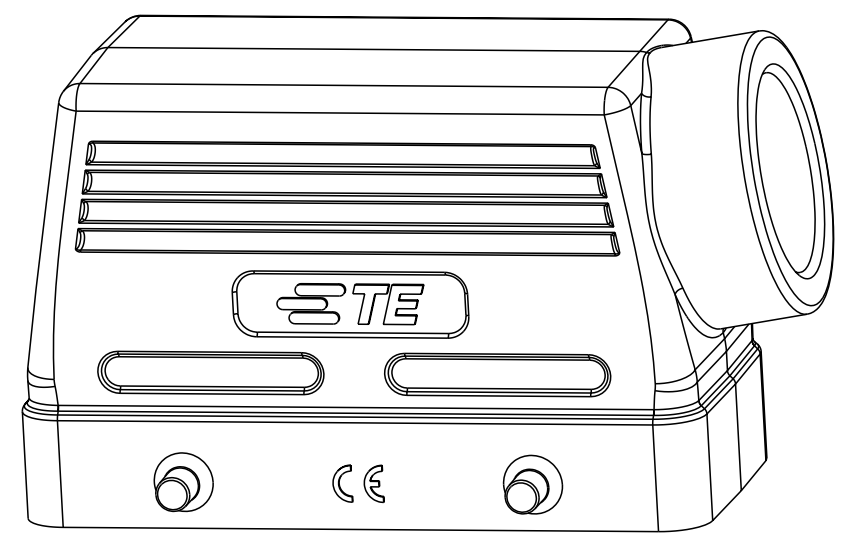
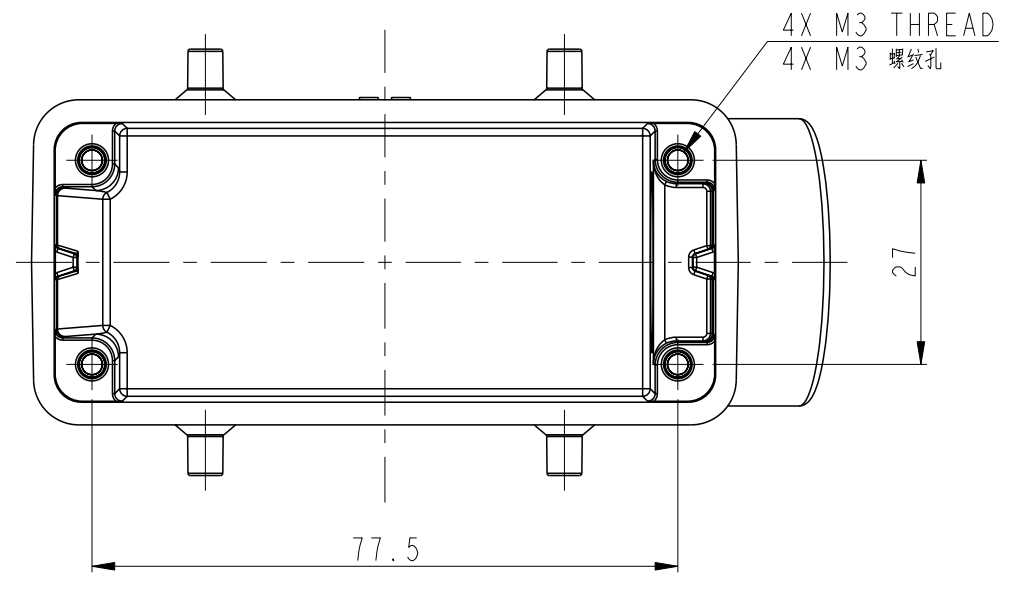
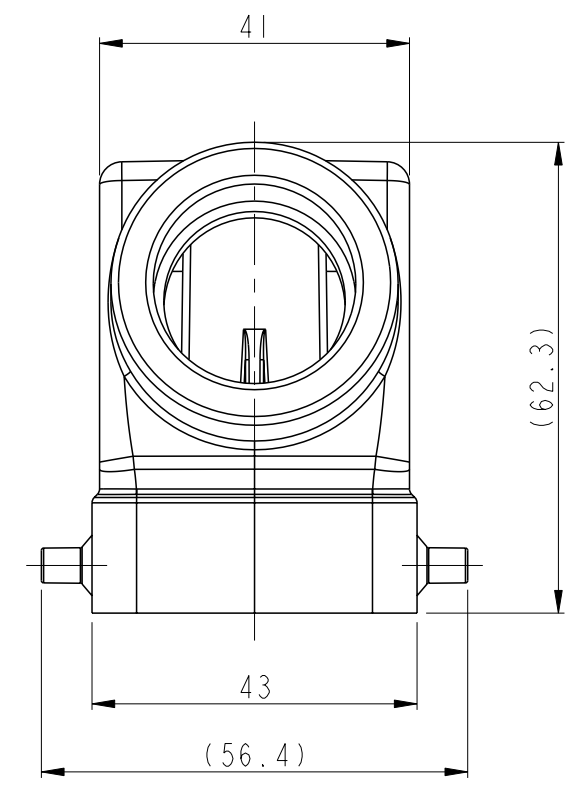
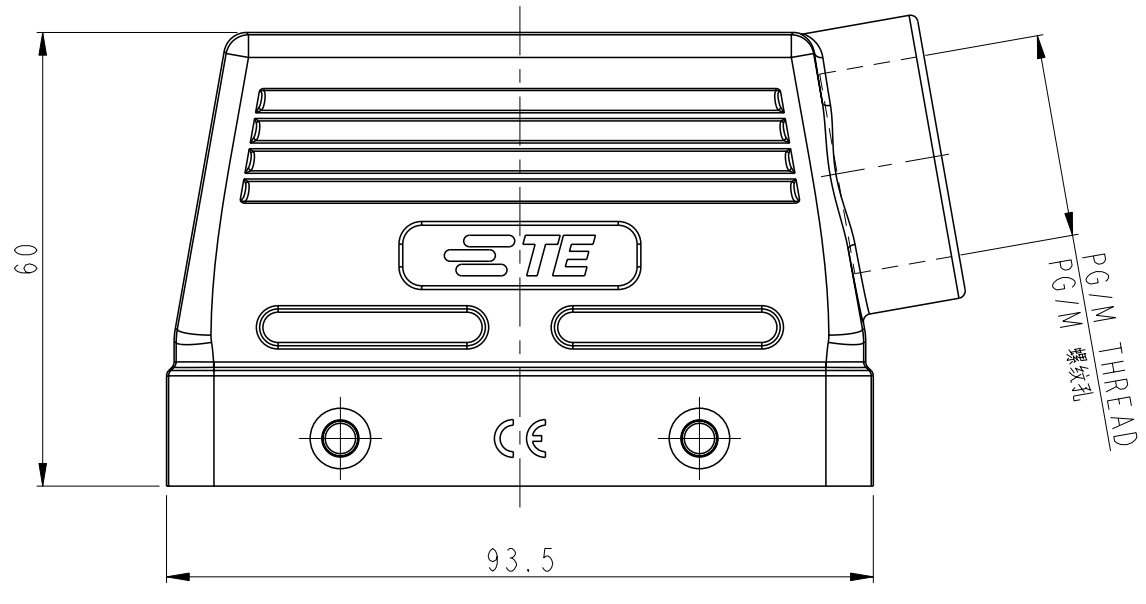


THIS DRAWING IS UNPUBLISHED. RELEASED FOR PUBLICATION 20  
 © COPYRIGHT 20 BY - ALL RIGHTS RESERVED.

REVISIONS				
P	LTR	DESCRIPTION	DATE	APVD
A		INITIAL	14OCT2016	CH CW
B		ECR-20-014388	07DEC2020	WQR CW



NOTES:  
 1. TECHNICAL CHARACTERISTICS:  
 HOOD MATERIAL: DIE CAST ALUMINIUM ALLOY  
 SURFACE: SEE TABLE  
 DEGREE OF PROTECTION: IP65 (MATED)  
 注释:  
 1. 技术参数:  
 上壳材料: 铝合金  
 表面处理: 见表格  
 防护等级: IP65(配合)

T1215164121-000	HI6B-TS-PG21	HI6B HOOD WITH SLEEVE, SIDE ENTRY PG21, 4 EAR, LOW CONSTRUCTION, STOVING VARNISH HI6B上壳, 带凸台, 侧出PG21, 4耳, 低结构, 汽车烤漆	PG21
T1210161121-100		HI6B HOOD WITH SLEEVE, SIDE ENTRY PG21, 4 EAR, LOW CONSTRUCTION, POWDER COATED WITH INSIDE AND OUTSIDE, SILVER WHITE HI6B上壳, 带凸台, 侧出PG21, 4耳, 低结构, 银白色粉末里外喷涂	
T1215160121-100		HI6B HOOD WITH SLEEVE, SIDE ENTRY PG21, 4 EAR, LOW CONSTRUCTION, POWDER COATED WITH INSIDE AND OUTSIDE, GRAY HI6B上壳, 带凸台, 侧出PG21, 4耳, 低结构, 灰色粉末里外喷涂	
PART NUMBER 料号	PART DESCRIPTION 描述		PG/M THREAD PG/M 螺纹孔

THIS DRAWING IS A CONTROLLED DOCUMENT.

DWN	14OCT2016	TE Connectivity
CHK	CHARLIE.HU 14OCT2016	
	KYLE.ZENG 14OCT2016	
APVD	CHRIS.WANG 14OCT2016	
DIMENSIONS: mm		NAME
TOLERANCES UNLESS OTHERWISE SPECIFIED:		HI6B-TS-PG21
0 PLC	±	PRODUCT SPEC
1 PLC	±	108-137013
2 PLC	±	APPLICATION SPEC
3 PLC	±	114-137013
4 PLC	±	WEIGHT
ANGLES	±	-
FINISH	-	CUSTOMER DRAWING
MATERIAL	-	SCALE 1:1
		SHEET 1 OF 1
		REV B

Printed on 25 Mar 2021 13:17 (China Standard Time) from TE343646